

## Datasheet

# RS PRO Mini Magnet, Monitored, Fail Safe, 600lbs Holding, 12~24VDC

Stock No: 774-8229



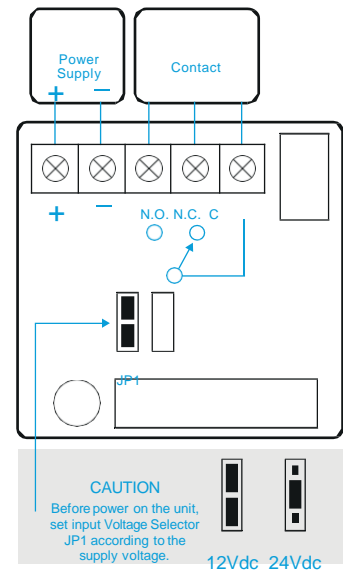
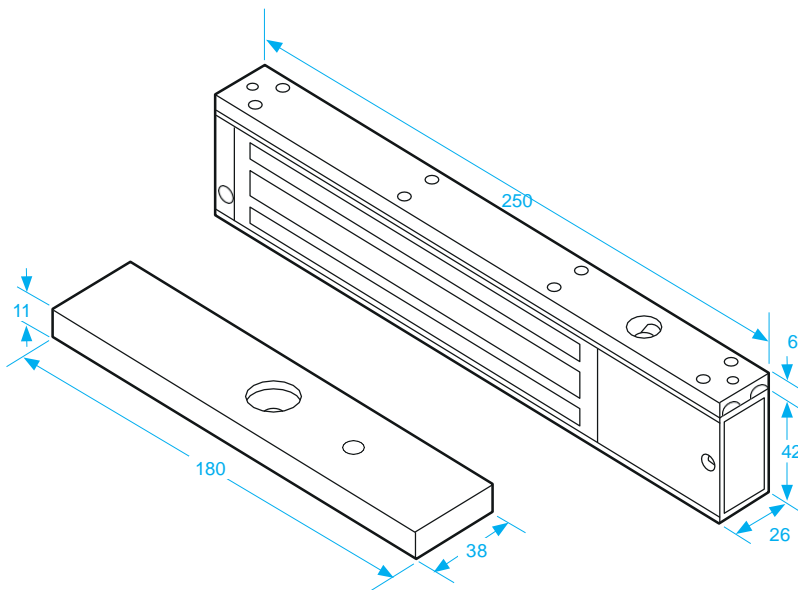
### Technical Specifications:

250mm x 26mm x 48mm	Monitored
Operating voltage 12Vdc /24Vdc Selectable	Fail-safe
600lbs holding force	Aluminium

## Features & Benefits:

- Operating voltage: 12 or 24Vdc
- Aluminium
- Current draw: 500mA at 12Vdc 250mA at 24Vdc (at temperature 20°C)
- Magnetic bond sensor monitor output remotely monitors the door lock or unlock status.  
(N.C.Output-Door opened; N.O. Output-door closed) (SPDT rated 3A at 12Vdc)
- Status LED lights
- Operating temperature: -10 to 55°C (14 to 131°F)
- Humidity: 0 to 95% non-condensing
- Lock's surface temperature: Current temperature  $\pm 20\%$  (when power is on) • Holding force: Up to 600lbs (272kg)
- Fail Safe
- Weight: 2.0kg (approx)

## Dimensional line drawings



## Quality Standards:

