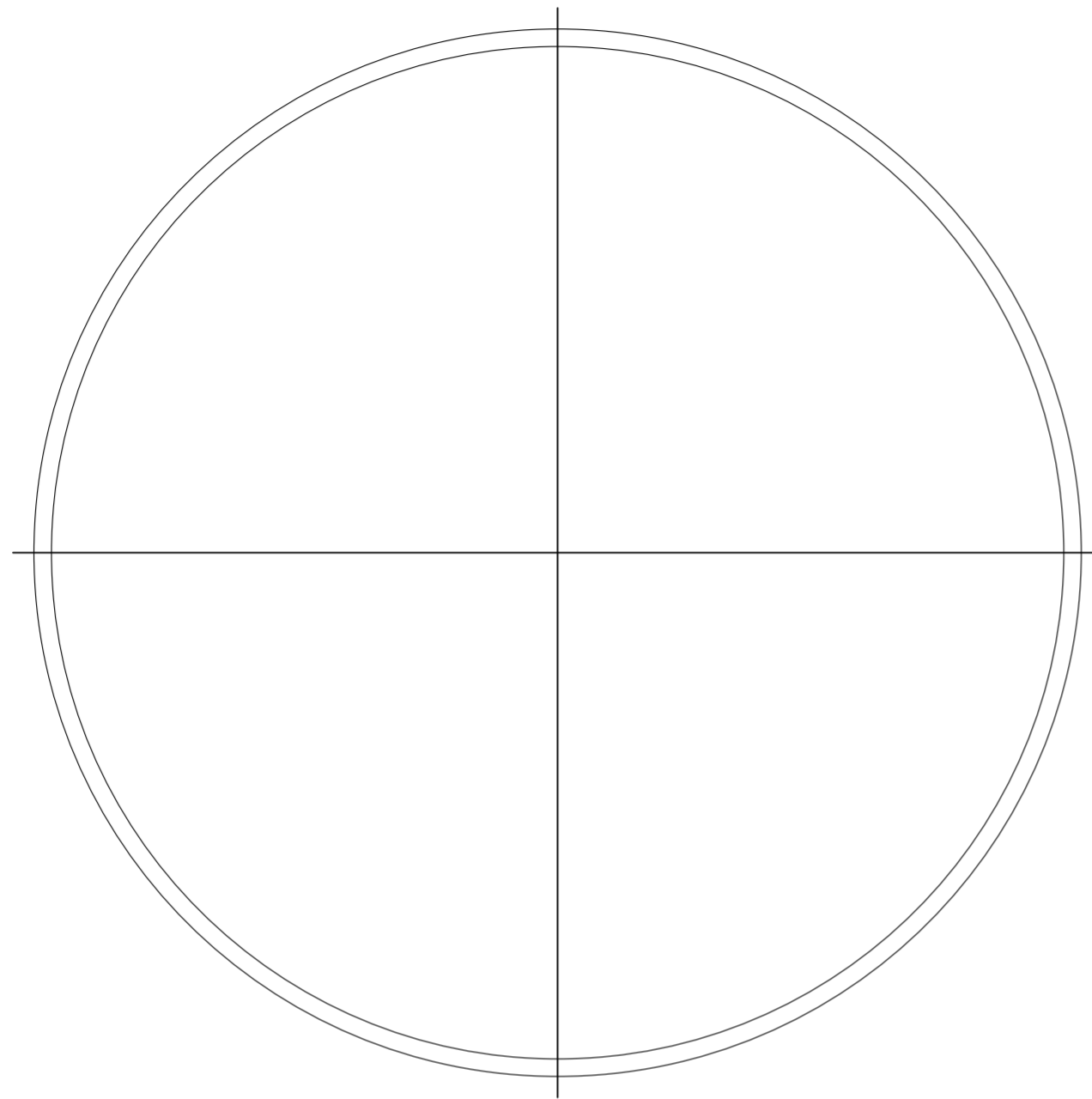
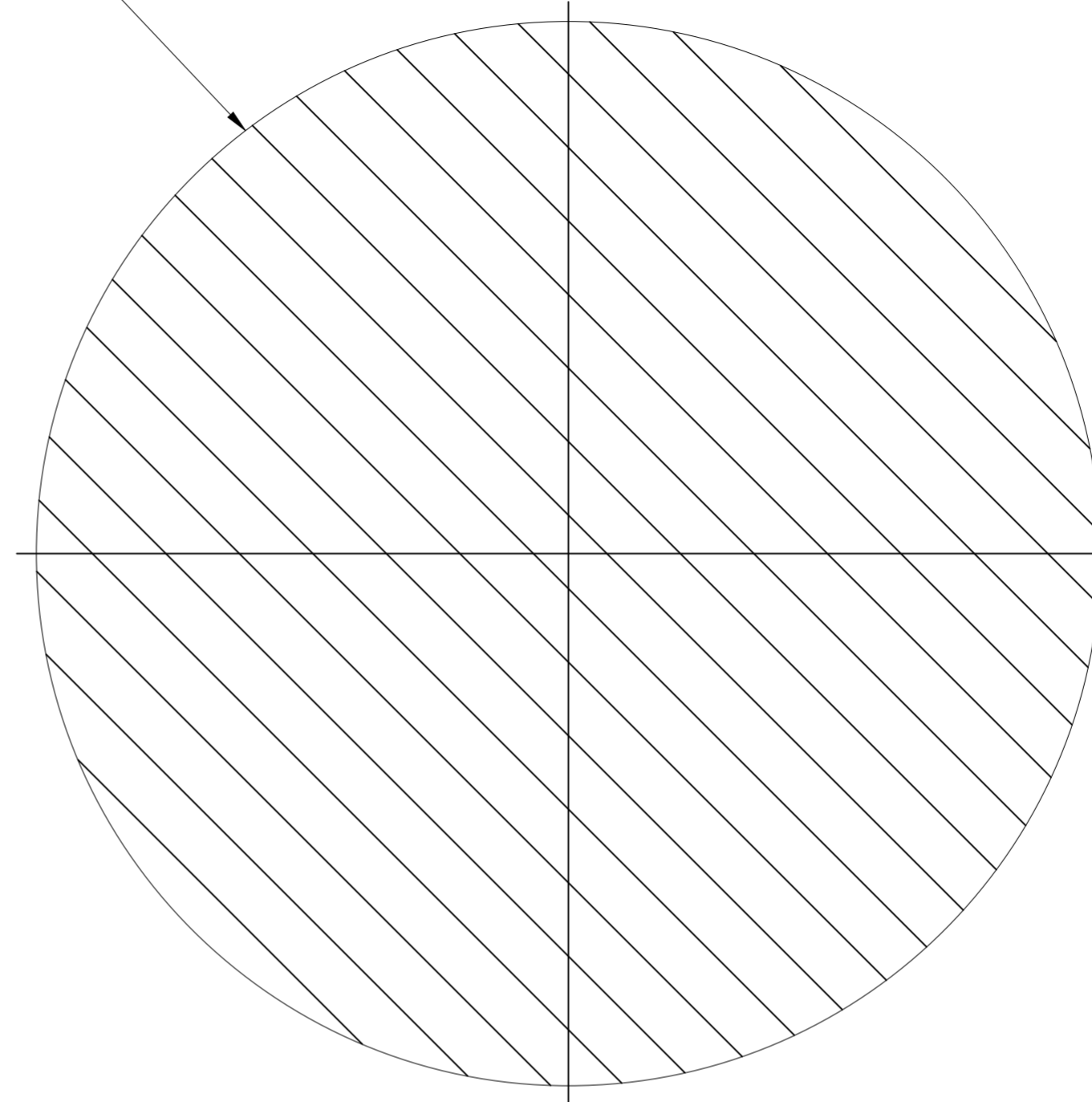


REVISIONS					
P	LTR	DESCRIPTION	DATE	DWN	APVD
A1		REVISED AS PER ECN-25-351332	28OCT2025	PSK	J.M

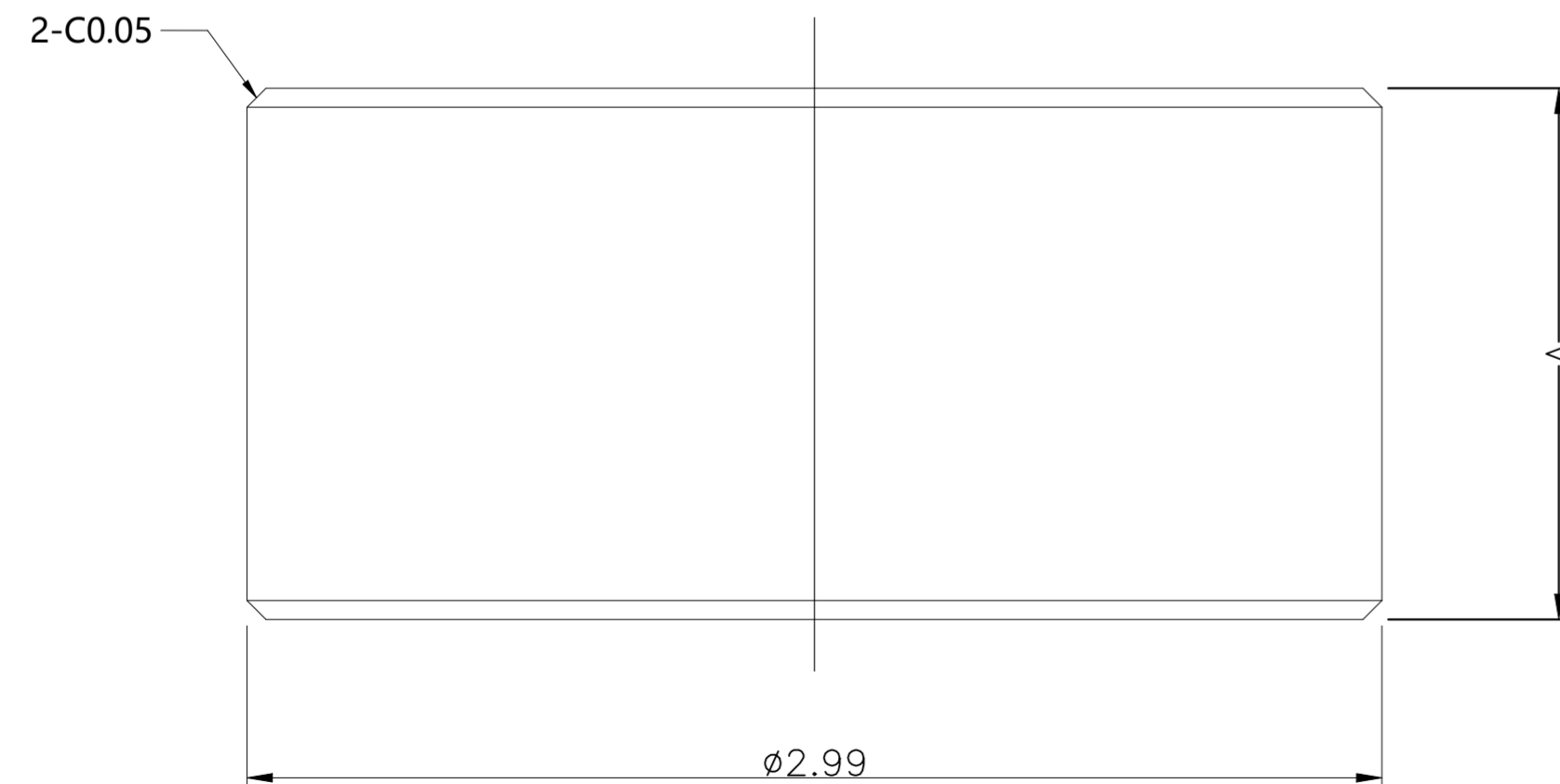


Ø3.25 MIN



Suggested PCB Footprint

Note: Remove all sharp edges, burrs & pip



ENVIRONMENTAL PARAMETER	
TEMPERATURE RANGE	-55 °C ~ +125 °C

MATERIALS AND PLATING UNIT: MICRO-INCHES	
MATERIALS	PLATING
BRASS ALLOY	GOLD10u"/NICKEL 50u"

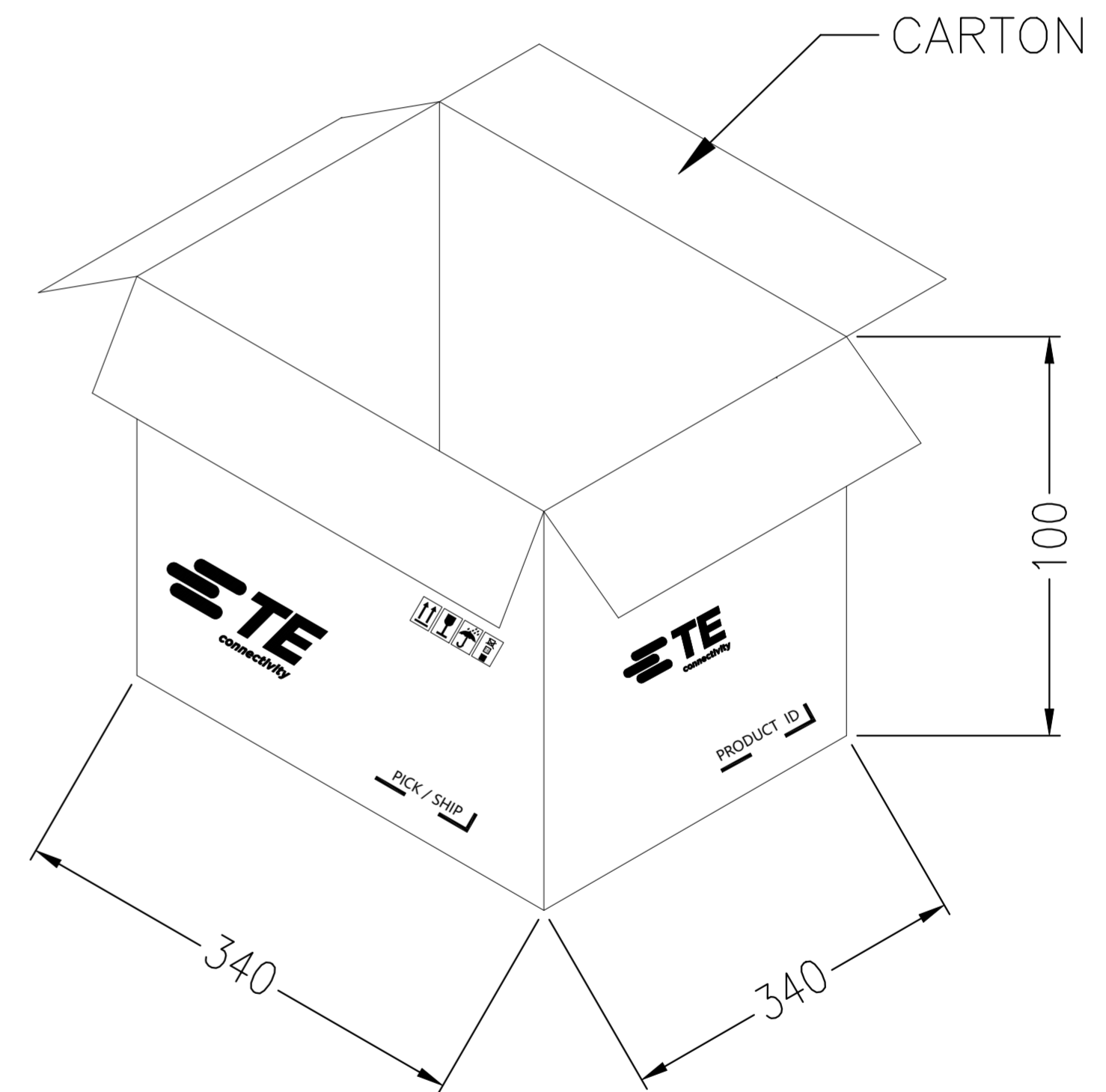
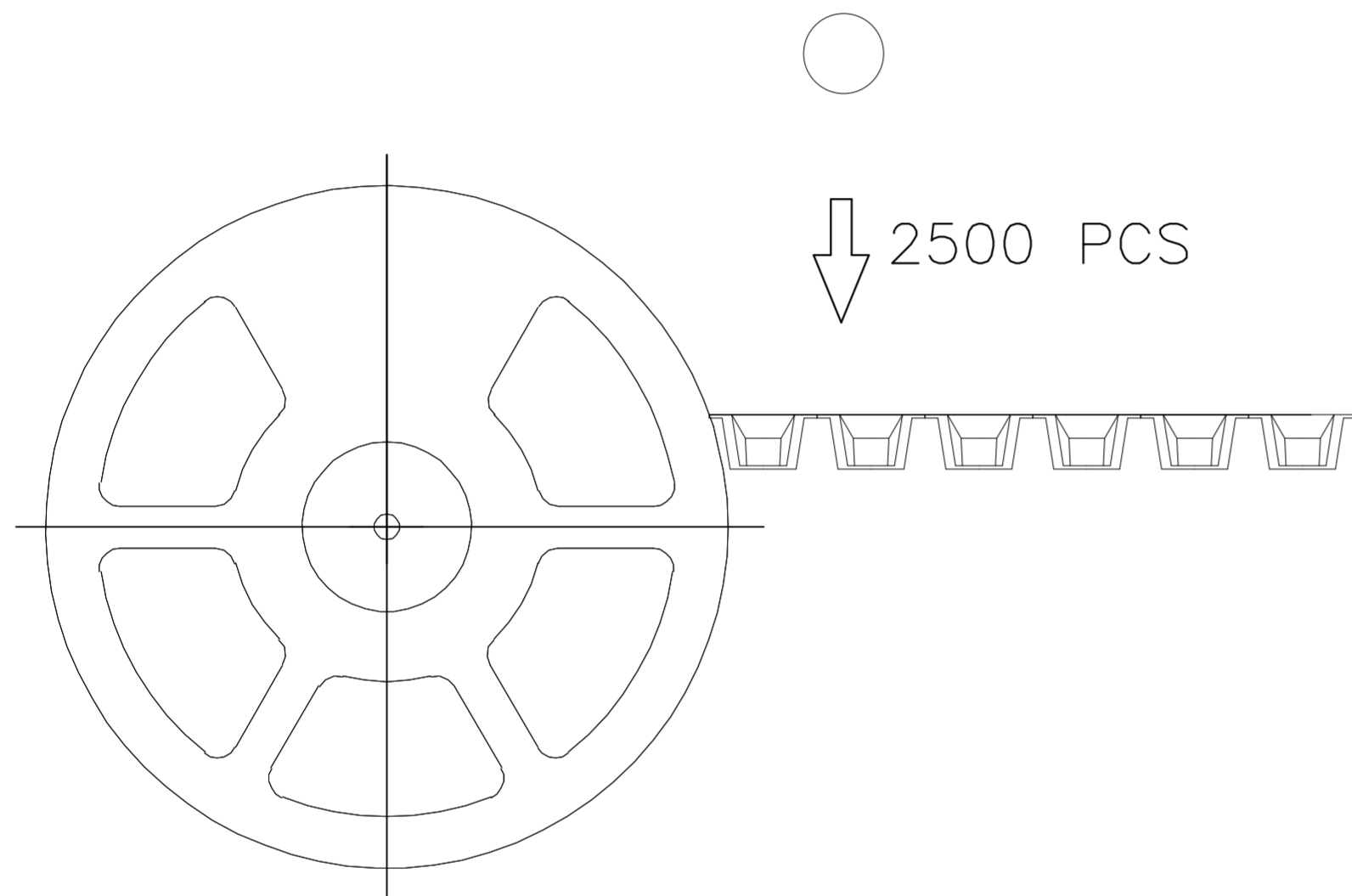
TE PART NUMBER	DIM=A	TE DESCRIPTION
2511418-1	1.40	CONTACT PAD, 2.99D X 1.40H, GOLD
2511418-2	1.91	CONTACT PAD, 2.99D X 1.91H, GOLD

THIS DRAWING IS A CONTROLLED DOCUMENT.		DWN PRATHAP_SK 20JUN2025	TE Connectivity Ltd.	
DIMENSIONS: mm		CHK MADHAN_S 20JUN2025		
TOLERANCES UNLESS OTHERWISE SPECIFIED:		APVD JAGRUTI_M 20JUN2025	NAME -	
0 PLC ± -		PRODUCT SPEC 108-162165	CONTACT PAD 2.99D GOLD	
1 PLC ± 0.2		APPLICATION SPEC	-	
2 PLC ± 0.1			SIZE A2	CAGE CODE 00779
3 PLC ± 0.05			DRAWING NO C=2511418	RESTRICTED TO -
4 PLC ± -			WEIGHT 0	
ANGLES ± -			SCALE 1:1	SHEET 1 of 2
MATERIAL SEE TABLE	FINISH SEE TABLE	CUSTOMER DRAWING	REV A1	

REVISIONS

P	LTR	DESCRIPTION	DATE	DWN	APVD
-	-	SEE SHEET 1	-	-	-

- NOTES :
- 1.PRIMARY PACKING: 2500 PCS/DISH(2500PCS)
  - 2.OUTER PACKING: 4 DISH/CARTON(10000PCS)



THIS DRAWING IS A CONTROLLED DOCUMENT.		DWN	20JUN2025	TE Connectivity Ltd.	
		CHK	20JUN2025		
		APVD	20JUN2025		
		PRODUCT SPEC	JAGRUTI M		
DIMENSIONS:		TOLERANCES UNLESS OTHERWISE SPECIFIED:		NAME	
mm		0 PLC ± - 1 PLC ± - 2 PLC ± - 3 PLC ± - 4 PLC ± - ANGLES ± -		-	
		MATERIAL - FINISH -		PRODUCT SPEC 108-162165 APPLICATION SPEC -	
		WEIGHT -		SIZE	RESTRICTED TO
		CUSTOMER DRAWING		A2	-
		SCALE 1:1		CAGE CODE	DRAWING NO
		SHEET 2 OF 2		00779	C=2511418
		REV A1			