

IEC Appliance Inlet C14 with Fuseholder 1- or 2-pole

Plug removal necessary for fuse replacement



V-Lock



Screw-on version

Snap-in version



Description

- Panel Mount:
Screw-on version from front or rear side, snap-in version from front side
- 3 Functions:
Appliance Inlet Protection class I, Fuseholder for fuse-links 5 x 20 mm 1- or 2-pole, with or without voltage selector (step switch)
- V-Lock notch standard
- Quick connect terminals 4.8 x 0.8 mm

Approvals

- VDE Certificate Number: 40030338
- UL File Number: E93617
- CSA File Number: 38456

Characteristics

- Available with or without internal connections
- Plug removal necessary for fuse-link replacement
The fuse drawer "Fingergrip" can be removed by hand
For added safety "Extra-Safe" fuse drawers are available
Fuse drawer meets requirements of medical standard IEC/EN 60601-1
The fuseholder is accessible from the equipment front
- Suitable for use in equipment according to IEC/UL 60950

Other versions on request

- With solder terminals
- Fuse drawer with other voltage values
- For protection class II

References

Alternative: version with line filter [KFA](#)

Weblinks

[pdf-datasheet](#), [html-datasheet](#), [General Product Information](#), [Approvals](#), [CE declaration of conformity](#), [RoHS](#), [CHINA-RoHS](#), [Mating Connectors](#), [e-Shop](#), [SCHURTER-Stock-Check](#), [Distributor-Stock-Check](#), [CAD-Drawings](#), [Accessories](#), [Wire Harnessing](#), [Detailed request for product](#)

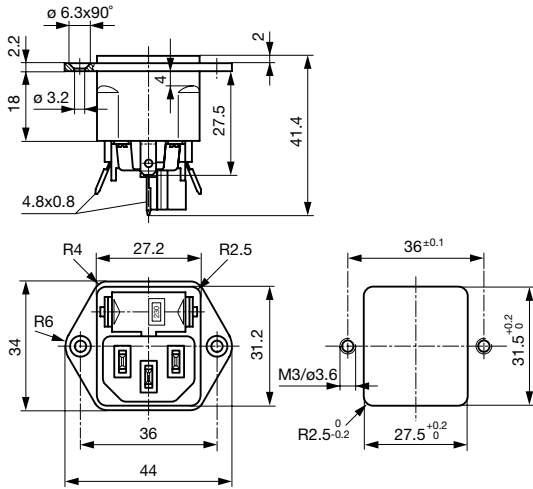
Technical Data

| | |
|---------------------------|---|
| Ratings IEC | 10A / 250VAC; 50Hz |
| Ratings UL/CSA | 10A / 250VAC; 60Hz |
| Dielectric Strength | > 3kVAC between L-N > 4kVAC between L/N-PE (1 min/50Hz) |
| Allowable Operation Temp. | -25°C to 70°C |
| Degree of Protection | from front side IP 40 acc. to IEC 60529 |
| Protection Class | Suitable for appliances with protection class I acc. to IEC 61140 |
| Terminal | Quick connect terminals 4.8 x 0.8 mm |
| Panel Thickness s | Screw: max 8 mm Mounting screw torque max 0.5Nm Snap-in: 1.5/2/2.5 mm |
| Material: Housing | Thermoplastic, black, UL 94V-0 |

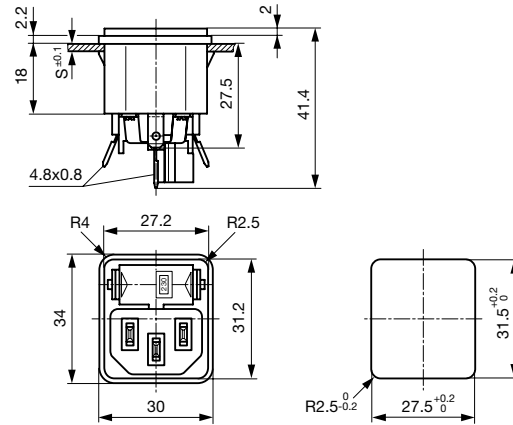
| | |
|-----------------------------------|---|
| Appliance Inlet | C14 acc. to IEC 60320, UL 498, CSA C22.2 no. 42 (for cold conditions) pin-temperature 70 °C, 10A, Protection Class I |
| Fuseholder | 1 or 2 pole, Shocksafe category PC2 acc. to IEC 60127-6, for fuse-links 5 x 20mm |
| Rated Power Acceptance @ Ta 23 °C | 5 x 20: 2W (1 pole)/ 1.6W (2-pole) per pole |
| Power Acceptance @ Ta > 23°C | Admissible power acceptance at higher ambient temperature see derating curves |
| Voltage Selector | optional, step, 2-4 digits |

Dimensions

Screw-on mounting type KEA

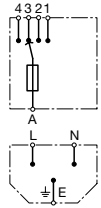


Snap-in mounting type KEA

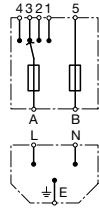


Diagrams

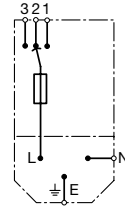
without internal connections
Voltage selector
4-positions, 1-pole



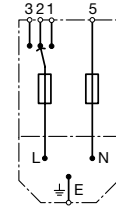
without internal connections
Voltage selector
4-positions, 2-pole



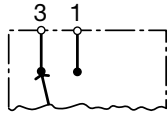
with internal connections
Voltage selector
3-positions, 1-pole



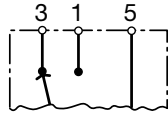
with internal connections
Voltage selector
3-positions, 2-pole



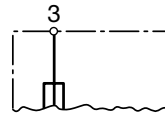
Voltage selector
2-positions
1-pole



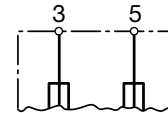
Voltage selector
2-positions
2-pole



without voltage selector
1-pole

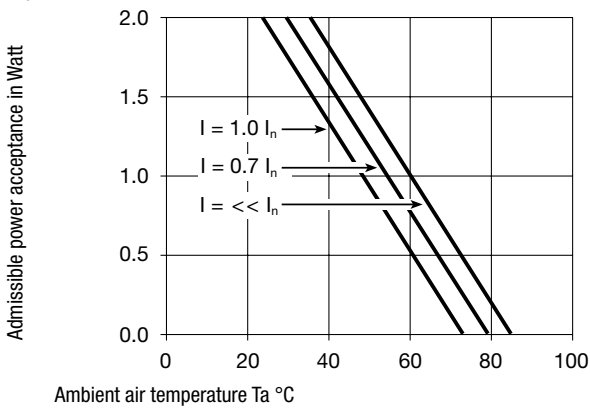


without voltage selector
2-pole

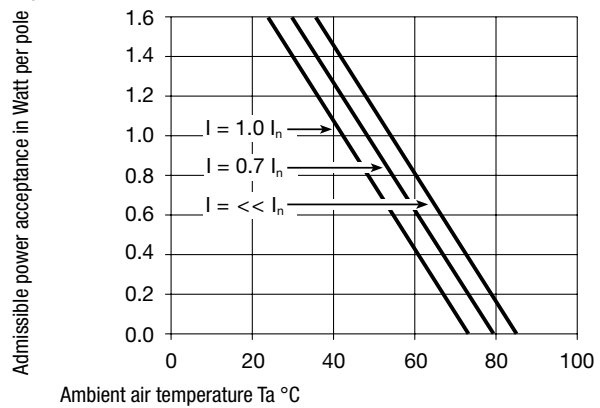


Derating Curves

1-pole



2-pole



All Variants

| Type | Panel mounting | Panel Thickness s [mm] | Fuseholder | Voltage Selector | Internally wired | Order Number |
|------|----------------|---------------------------|------------|------------------|------------------|--------------|
| KEA | Screw | - | 1-pole | - | ● | 4301.0521 |
| KEA | Screw | - | 1-pole | - | | 4301.2021 |
| KEA | Screw | - | 1-pole | 2-4 digits | | 4301.1214.04 |
| KEA | Screw | - | 1-pole | 2 pos. | | 4301.2141 |
| KEA | Screw | - | 1-pole | 3 pos. | ● | 4301.0021 |
| KEA | Screw | - | 1-pole | 3/4 digits | | 4301.2061 |
| KEA | Screw | - | 2-pole | - | ● | 4301.0501 |
| KEA | Screw | - | 2-pole | - | | 4301.2001 |
| KEA | Screw | - | 2-pole | 2 pos. | | 4301.2121 |
| KEA | Screw | - | 2-pole | 3 pos. | ● | 4301.0001 |
| KEA | Screw | - | 2-pole | 3/4 digits | | 4301.2041 |
| KEA | Snap-in | 1.5 | 1-pole | - | ● | 4301.0522 |
| KEA | Snap-in | 1.5 | 1-pole | - | | 4301.2022 |
| KEA | Snap-in | 2 | 1-pole | - | ● | 4301.0523 |
| KEA | Snap-in | 2 | 1-pole | - | | 4301.2023 |
| KEA | Snap-in | 2.5 | 1-pole | - | ● | 4301.0524 |
| KEA | Snap-in | 2.5 | 1-pole | - | | 4301.2024 |
| KEA | Snap-in | 1.5 | 1-pole | 2 pos. | | 4301.2142 |
| KEA | Snap-in | 2 | 1-pole | 2 pos. | | 4301.2143 |
| KEA | Snap-in | 1.5 | 1-pole | 3 pos. | ● | 4301.0022 |
| KEA | Snap-in | 2 | 1-pole | 3 pos. | ● | 4301.0023 |
| KEA | Snap-in | 2.5 | 1-pole | 3 pos. | ● | 4301.0024 |
| KEA | Snap-in | 1.5 | 1-pole | 3/4 digits | | 4301.2062 |
| KEA | Snap-in | 2 | 1-pole | 3/4 digits | | 4301.2063 |
| KEA | Snap-in | 2.5 | 1-pole | 3/4 digits | | 4301.2064 |
| KEA | Snap-in | 1.5 | 2-pole | - | ● | 4301.0502 |
| KEA | Snap-in | 1.5 | 2-pole | - | | 4301.2002 |
| KEA | Snap-in | 2 | 2-pole | - | ● | 4301.0503 |
| KEA | Snap-in | 2 | 2-pole | - | | 4301.2003 |
| KEA | Snap-in | 2.5 | 2-pole | - | ● | 4301.0504 |
| KEA | Snap-in | 2.5 | 2-pole | - | | 4301.2004 |
| KEA | Snap-in | 1.5 | 2-pole | 2 pos. | | 4301.2122 |
| KEA | Snap-in | 2 | 2-pole | 2 pos. | | 4301.2123 |
| KEA | Snap-in | 2.5 | 2-pole | 2 pos. | | 4301.2124 |
| KEA | Snap-in | 1.5 | 2-pole | 3 pos. | ● | 4301.0002 |
| KEA | Snap-in | 2 | 2-pole | 3 pos. | ● | 4301.0003 |
| KEA | Snap-in | 2.5 | 2-pole | 3 pos. | ● | 4301.0004 |
| KEA | Snap-in | 1.5 | 2-pole | 3/4 digits | | 4301.2042 |
| KEA | Snap-in | 2 | 2-pole | 3/4 digits | | 4301.2043 |
| KEA | Snap-in | 2.5 | 2-pole | 3/4 digits | | 4301.2044 |

Most Popular.

Availability for all products can be searched real-time:<http://www.schurter.com/en/Stock-Check/Stock-Check-SCHURTER>

Packaging unit 50 Pcs

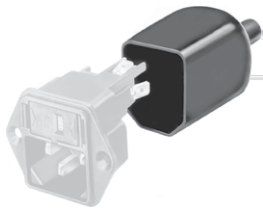
Required Accessory

Description



Fusedrawer 2
Fusedrawer für Fuse Links 5x20 mm, with or without Voltage Selector Insert

Accessories



Assorted Covers
Rear Cover



Wire Harness
Wire harness for SCHURTER products



Cord retaining kits
Cord retaining strain relief

Mating Outlets/Connectors

Category / Description



[Appliance Outlet Overview complete](#)

| | |
|---|------|
| IEC Appliance Outlet F, Screw-on Mounting, Front Side, Solder Terminal | 4787 |
| IEC Appliance Outlet F, Snap-in Mounting, Front Side, Solder or Quick-connect Terminal | 4788 |
| IEC Appliance Outlet F or H, Screw-on Mounting, Front Side, Solder, PCB or Quick-connect Terminal | 5091 |

[Appliance Outlet further types to KEA](#)

[Connector Overview complete](#)



| | |
|--|--------|
| IEC Connector C15A, Rewireable, Straight | 0102 |
| IEC Connector C15A, Rewireable, Straight | 0102-G |
| IEC Connector C15A, Rewireable, Angled | 0112 |
| IEC Connector C13, Rewireable, Angled | 4012 |
| IEC Connector C13, Rewireable, Straight | 4022 |

[Connector further types to KEA](#)

...