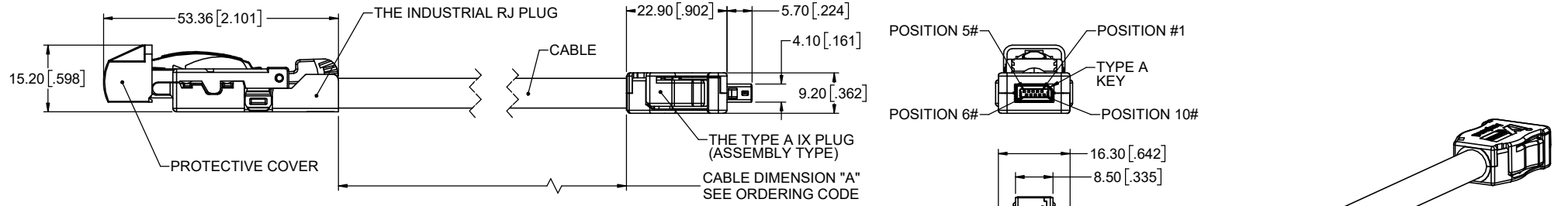


FIGURE 1: STRAIGHT CABLE EXIT + TYPE A IX PLUG(ASSEMBLY TYPE) (ORDERING CODE: DRPC5-XXX0-9AX0)

REVISIONS			
REV	DESCRIPTION, ECN, EAR NO.	DATE	APP'D
A	PROPOSAL DRAWING	AUG31/22	KELVIN



CONNECTOR PIN ASSIGNMENT				
RJ45 POSITION NUMBER	WIRE COLOUR (TIA/EIA 568B)	PIN ASSIGNMENT 10 OR 100 Mbit/S ETHERNET	PIN ASSIGNMENT 1, 2.5, 5 OR 10 Gbit/S ETHERNET	IX PLUG POSITION NUMBER
1	WHITE/ORANGE	TX +	BI_DA +	1
2	ORANGE	TX -	BI_DA -	2
-	-	NOT USED	-	3
4	BLUE	NOT USED	BI_DC +	4
5	WHITE/BLUE	NOT USED	BI_DC -	5
3	WHITE/GREEN	RX +	BI_DB +	6
6	GREEN	RX -	BI_DB -	7
-	-	NOT USED	-	8
7	WHITE/BROWN	NOT USED	BI_DD +	9
8	BROWN	NOT USED	BI_DD -	10

NOTE:
CONTACTS #3 & #8 ARE CONNECTED TO THE SHIELD / CABLE BRAID, TWISTED PAIRS FOR IX PLUG POSITIONS 1/2, 4/5, 6/7 & 9/10.

NOTES:

- MATERIAL: RoHS COMPLIANT PER EU DIRECTIVE 2011/65/EU AND AMENDMENTS.
 A). INDUSTRIAL RJ PLUG:
 RJ TERMINALS: COPPER ALLOY, PLATING: SELECTIVE GOLD PLATING ON MATING SURFACES SEE ORDERING CODE FOR THICKNESS, MATTE TIN ON TAILS AND NICKEL UNDERPLATE
 IDC TERMINALS: COPPER ALLOY, PLATING: MATTE TIN OVERALL AND NICKEL UNDERPLATE
 SHIELDS: ZINC ALLOY, PLATING: NICKEL OVERALL AND COPPER UNDERPLATE
 LATCH & SPRING: STAINLESS STEEL
 HOUSING & WIRE COVER & CABLE OUTLET COVER & PROTECTIVE COVER: ENGINEERING THERMOPLASTIC, FLAMMABILITY RATING UL94V-0, COLOUR: BLACK
 B). CABLE: COPPER CONDUCTOR 26AWG&24AWG, 7 STRANDS, PE INSULATION, METAL FOIL WRAPPED TWISTED PAIRS, OVERALL TIN PLATED BRAID, PVC JACKET DIA 6.3 TO 7.2MM(.244" TO .283")
 C). IX PLUG:
 CONTACTS: COPPER ALLOY PLATING: SELECTIVE GOLD PLATING ON MATING SURFACES SEE ORDERING CODE FOR THICKNESS AND NICKEL UNDERPLATE
 HOUSING & INSERTS: HIGH TEMPERATURE THERMOPLASTIC, FLAMMABILITY RATING UL94V-0, COLOUR: BLACK
 PLUG COVER: POLYCARBONATE, FLAMMABILITY RATING UL94V-0, COLOUR: BLACK
 SHIELD: STAINLESS STEEL, NICKEL PLATED
- INDUSTRIAL RJ PLUG DESIGNED TO CONFORM TO REQUIREMENTS OF TIA-1096A & IEC 60603-7-1 & FCC Part 68, SUBPART F SPECIFICATION, IX PLUG DESIGNED TO CONFORM TO REQUIREMENTS OF IEC 61076 PART 3-124 SPECIFICATION, THE INDUSTRIAL RJ PLUG AND IX PLUG KEY FEATURE SHOWN IS INTENDED TO USE WITH ETHERNET APPLICATIONS, EITHER 10/100 Mbit/S OR 1 TO 10 Gbit/S (CAT 5e, 6 & 6A).
- CURRENT RATING: 1.5 AMPERES, VOLTAGE RATING: 60V DC
- OPERATING TEMPERATURE: -40°C TO +80°C.
- DIELECTRIC WITHSTANDING VOLTAGE: 500V DC.
- INSULATION RESISTANCE: 500 MEGOHMS MINIMUM.
- MATING & UNMATION FORCE: 20N MAXIMUM FOR RJ PLUG, 25N MAXIMUM FOR IX PLUG.

ORDERING CODE: DRP C 5 - X XX X - X XX X

- CABLE ASSEMBLY
- INDUSTRIAL RJ PLUG + TYPE A IX PLUG(ASSEMBLY TYPE)
- CABLE TYPE:
1 = 26#AWG, S-FTP
2 = 24#AWG, S-FTP
- 0 = STANDARD, BLACK COLOUR HOUSING
- GOLD PLATING OPTIONS:
1 = GOLD FLASH PLATING
2 = 8µ" GOLD PLATING
4 = 50µ" GOLD PLATING
- THE SECOND PLUG CABLE EXIT DIRECTION OPTIONS:
A = STRAIGHT

CABLE LENGTHS (DIMENSION "A")	
20 TO 99	LENGTH IN CM
A0 TO A9	1 METER + 0 TO 9 DECIMETERS
B0 TO B9	2 METER + 0 TO 9 DECIMETERS
C0 TO C9	3 METER + 0 TO 9 DECIMETERS
D0 TO D9	4 METER + 0 TO 9 DECIMETERS
E0 TO E9	5 METER + 0 TO 9 DECIMETERS
F0 TO F9	6 METER + 0 TO 9 DECIMETERS
G0 TO G9	7 METER + 0 TO 9 DECIMETERS
H0 TO H9	8 METER + 0 TO 9 DECIMETERS
J0 TO J9	9 METER + 0 TO 9 DECIMETERS
K0 TO K9	10 METER + 0 TO 9 METERS
L0 TO L9	20 METER + 0 TO 9 METERS
M0 TO M9	30 METER + 0 TO 9 DECAMETERS

CABLE LENGTH ORDERING CODE EXAMPLES:
75CM=F5, 6.3M=F3, 25M=L5, 80M=M5

0 = STANDARD[7 STRANDS], GRAY COLOUR

- THE FIRST INDUSTRIAL RJ PLUG CABLE EXIT DIRECTION OPTIONS:
1 = 45 DEGREE TOWARDS THE BOTTOM
2 = 45 DEGREE TOWARDS THE RIGHT
3 = 45 DEGREE TOWARDS THE TOP
4 = 45 DEGREE TOWARDS THE LEFT
5 = 90 DEGREE TOWARDS THE BOTTOM
6 = 90 DEGREE TOWARDS THE RIGHT
7 = 90 DEGREE TOWARDS THE TOP
8 = 90 DEGREE TOWARDS THE LEFT
9 = STRAIGHT

NOTE:
THE CABLE EXIT OPTIONS REFER TO FIGURE 1 & 2 & 3, THE TOWARDS OPTIONS REFER TO FIGURE 4.



UNLESS SPECIFIED OTHERWISE	DRAWN	RONNIE.C	AUG31/22
PRIMARY UNITS MILLIMETRES	CHECKED	KELVIN.T	AUG31/22
SECONDARY INCHES	M.E. APP'D		
REFERENCE IN PARENTHESES	Q.A. APP'D		
GENERAL TOLERANCES	DWG APPR.		
1 DECIMAL PLACE	ENG. REL. NO.		
2 DECIMAL PLACES	REF.		
3 DECIMAL PLACES	THIRD ANGLE PROJECTION		
ANGULAR DEGREES	DO NOT SCALE DRAWING		

Amphenol Canada Corp.
Commercial Products

INDUSTRIAL PLUG CABLE ASSEMBLY, INDUSTRIAL RJ PLUG + TYPE A IX PLUG (ASSEMBLY TYPE) -RoHS COMPLIANT

DWG. NO. **P-DRPC5-XXXX-XXXX** REV **A**

CODE ID NO. 03554 DWG SIZE: X SCALE: 3:2 SHEET 1 OF 2

REVISIONS			
REV	DESCRIPTION, ECN, EAR NO.	DATE	APP'D
A	PROPOSAL DRAWING	AUG31/22	KELVIN

FIGURE 2: 45 DEGREE TOWARDS THE BOTTOM + TYPE A IX PLUG(ASSEMBLY TYPE) (ORDERING CODE: DRPC5-XXX0-1AX0)

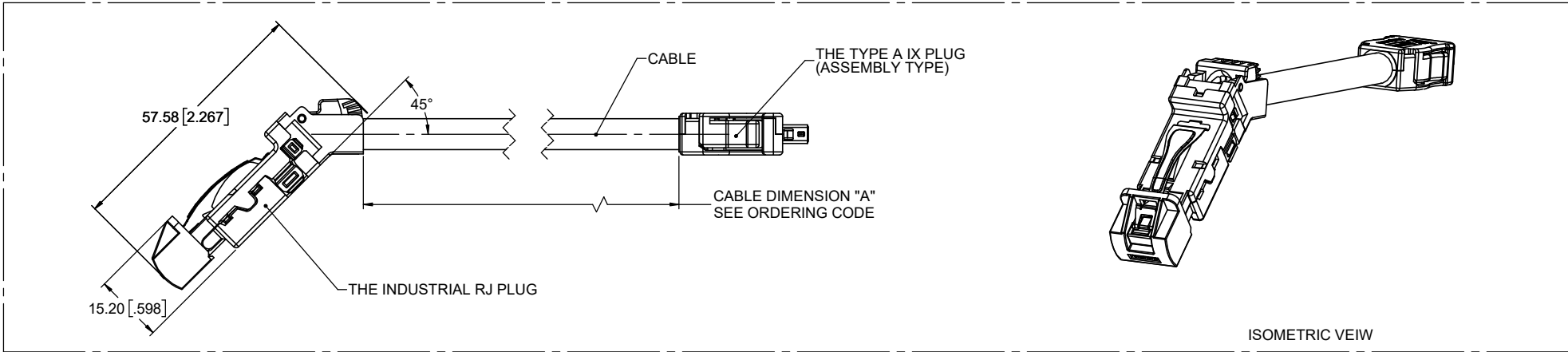


FIGURE 3: 90 DEGREE TOWARDS THE TOP + TYPE A IX PLUG(ASSEMBLY TYPE) (ORDERING CODE: DRPC5-XXX0-7AX0)

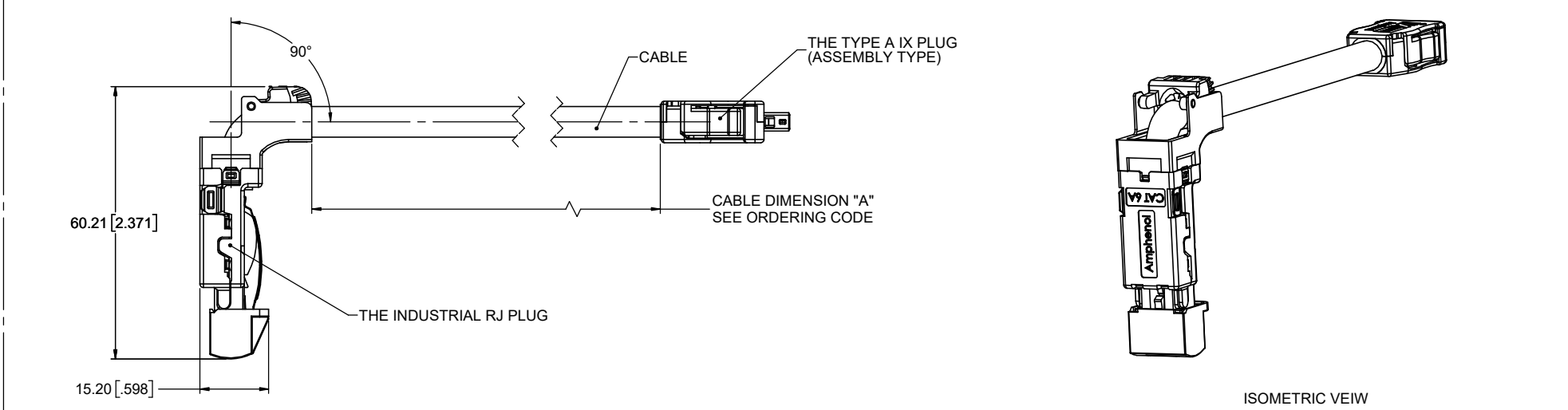
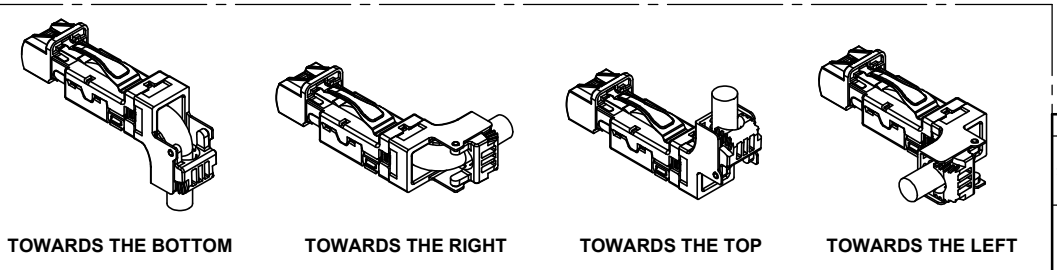


FIGURE 4: TOWARDS OPTIONS FOR 45 DEGREE & 90 DEGREE(90 DEGREE SHOWN, SCALE 1:1):



UNLESS SPECIFIED OTHERWISE	DRAWN	RONNIE.C	AUG31/22
PRIMARY UNITS MILLIMETRES	CHECKED	KELVIN.T	AUG31/22
SECONDARY INCHES	M.E. APP'D		
REFERENCE IN PARENTHESES	Q.A. APP'D		
GENERAL TOLERANCES	DWG APPR.		
1 DECIMAL PLACE	ENG. REL. NO.		
2 DECIMAL PLACES	REF.		
3 DECIMAL PLACES	THIRD ANGLE PROJECTION		
ANGULAR DEGREES	DO NOT SCALE DRAWING		

Amphenol Canada Corp.
Commercial Products

**INDUSTRIAL RJ PLUG CABLE ASSEMBLY,
INDUSTRIAL RJ PLUG + TYPE A IX PLUG
(ASSEMBLY TYPE)
-RoHS COMPLIANT**

DWG. NO. **P-DRPC5-XXXX-XXXX** REV **A**

CODE ID NO. 03554 DWG SIZE: X SCALE: 3:2 SHEET 2 OF 2

THIS DOCUMENT CONTAINS PROPRIETARY INFORMATION AND SUCH INFORMATION MAY NOT BE DISCLOSED TO OTHERS FOR ANY PURPOSE OR USED FOR MANUFACTURING PURPOSES WITHOUT WRITTEN PERMISSION FROM AMPHENOL CANADA CORP.