

TURCK

Flow Monitors

Remote Amplified Flow Sensor

- IP68 Options
- Extended Probe Lengths
- High Temperature Ranges
- High Pressure Ratings



Part Number	Flow Detection Range, Water (cm/s)	Flow Detection Range, Oil (cm/s)	Fluid Connection	Wetted Parts	Protection	Probe Length (mm)	Pressure Rating (psi)	Ambient Temperature (°C)	Media Temperature (°C)	Wiring	Drawing #
FCS-G1/2A4-NA-H1141	1-150	3-300	G 1/2"	316 TI SS	IP67	31	1450	-25 to 80	-25 to 80	2	5
FCS-G1/4A4-NA-H1141	1-150	3-300	G 1/4"	316 TI SS	IP67	24	1450	-25 to 80	-25 to 80	2	4
FCS-N1/2A4-NA-H1141	1-150	3-300	1/2" NPT	316 TI SS	IP67	42	1450	-25 to 80	-25 to 80	2	2
FCS-N1/2A4-NA-H1141/L060	1-150	3-300	1/2" NPT	316 TI SS	IP67	60	1450	-25 to 80	-25 to 80	2	2
FCS-N1/2A4-NA-H1141/L100	1-150	3-300	1/2" NPT	316 TI SS	IP67	100	1450	-25 to 80	-25 to 80	2	2
FCS-N3/4A4-NA-H1141	1-150	3-300	3/4" NPT	316 TI SS	IP67	47	1450	-25 to 80	-25 to 80	2	3
FCS-N1/2A4-NA	1-150	3-300	1/2" NPT	316 TI SS	IP67	42	1450	-25 to 80	-25 to 80	1	1
FCS-N1/2A4-NA/D100	1-150	3-300	1/2" NPT	316 TI SS	IP68	42	1450	-25 to 80	10 to 120	1	1
FCS-G1/2A4-NA/D100	1-150	3-300	G1/2"	316 TI SS	IP68	31	1450	-25 to 80	10 to 120	1	8
FCS-GL1/2A4-NA-H1141/D500	1-150	3-300	GL1/2"	316 TI SS	IP67	46	*	-25 to 80	-25 to 80	2	6

* = 1000 dynamic, 5600 static

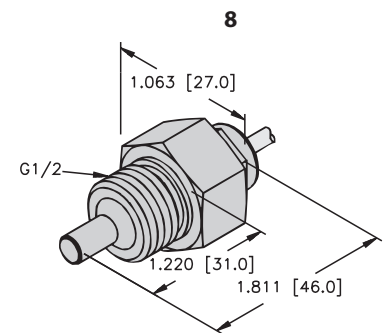
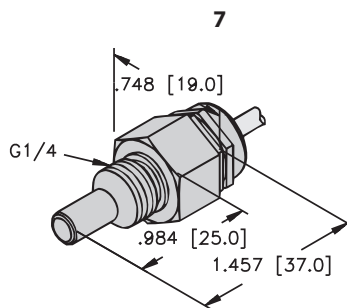
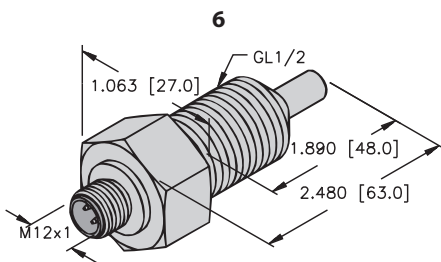
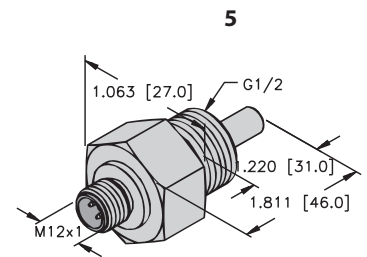
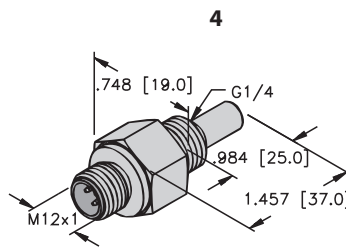
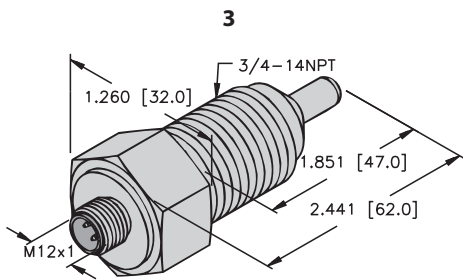
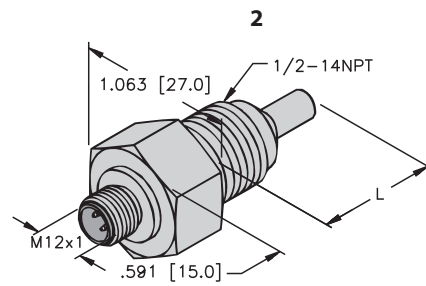
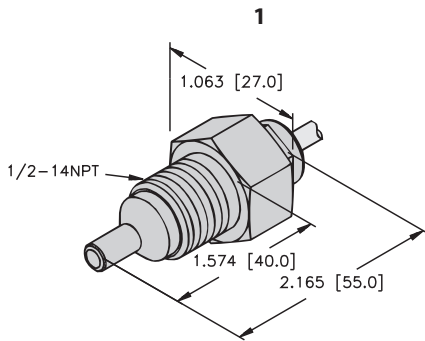
Specifications:

Electrical	
Operating Voltage	Remote Amplifier
Output Characteristics	Remote Amplifier
"NA" outputs require a "non-EX" remote amplifier	See page C49 for part numbers
Operational	
Time Delay before Availability	2-15 seconds, 8 seconds typical
Response time	1-13 seconds, 2 seconds typical
Maximum Temperature Change	4.2 °C/second

Flow Monitors

Drawings

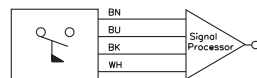
FLOW



L = Probe length

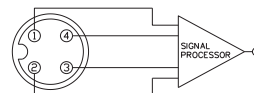
Wiring Diagrams

Diagram 1



2M/PTFE Cable

Diagram 2



Mating Cordset:
RK 4.4T-*