

microSD 400x card series

Description

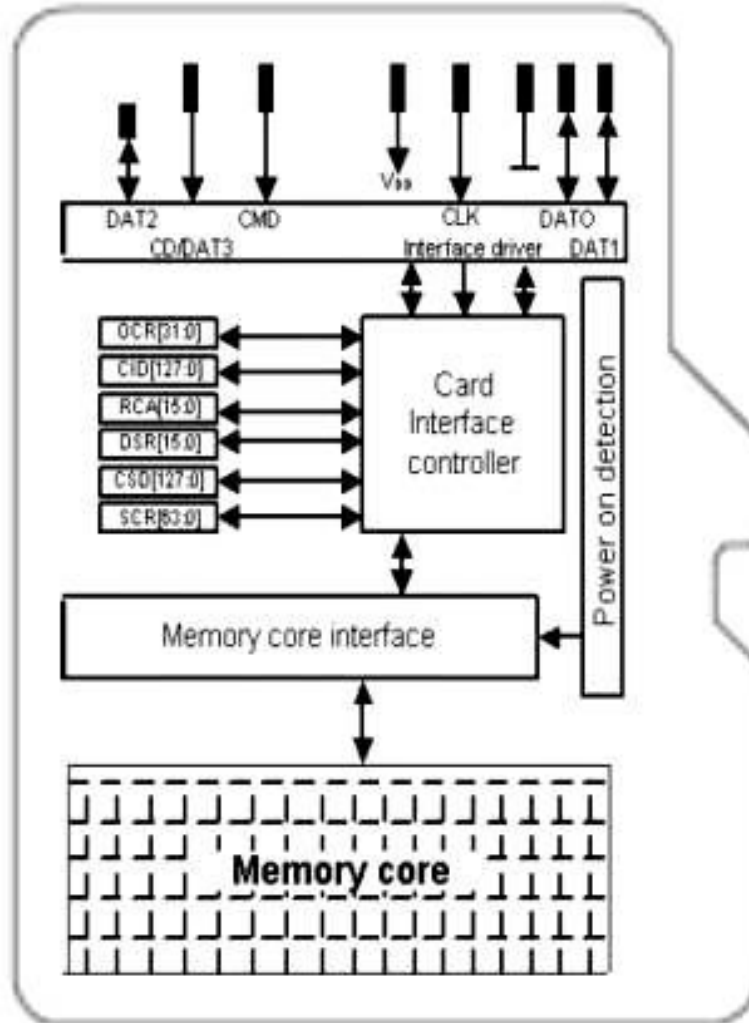
Designed to enhance your smartphone and tablet user experience, Transcend microSDXC/SDHC UHS-I memory cards feature the Ultra High Speed Class 1 specification. Utilizing this next-generation technology, these cards ensure the best possible performance when running memory-intensive mobile apps and games, as well as smooth Full HD video recording and seamless playback.

Features

- Supports Ultra High Speed Class 1 specification (U1)
- Smooth Full HD video recording performance
- Ideal upgrade for smartphones, tablets, and digital cameras
- Class 10 compliant
- Built-in Error Correcting Code (ECC) to detect and correct transfer errors
- Exclusive RecoverRx photo recovery software

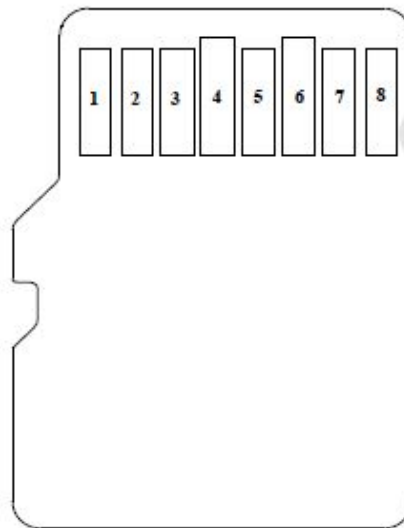


Architecture



Pin Definition

Pin No.	SD Mode		SPI Mode	
	Name	Description	Name	Description
1	DAT2	Data Line [Bit2]	RSV	Reserved
2	CD/DAT3	Card Detect / Data Line [Bit3]	CS	Chip Select
3	CMD	Command / Response	DI	Data In
4	V _{DD}	Supply voltage	V _{DD}	Supply voltage
5	CLK	Clock	SCLK	Clock
6	V _{SS}	Supply voltage ground	V _{SS}	Supply voltage ground
7	DAT0	Data Line [Bit0]	DO	Data out
8	DAT1	Data Line [Bit1]	RSV	Reserved



Specifications

Physical Specification		
Form Factor		microSD
Dimensions (mm)	Length	11.00 ± 0.1
	Width	15.00 ± 0.1
	Height	0.7 ± 0.1

Performance	
Model P/N	Read Performance
TS8GUSDCU1	Up to 60MB/s
TS8GUSDU1	
TS16GUSDCU1	
TS16GUSDU1	
TS32GUSDCU1	
TS32GUSDU1	
TS64GUSDU1	
TS128GUSDU1	

Note: Maximum transfer speed recorded

* 25 °C , 4GB DRAM, Windows® 7 with Transcend RDF5, benchmark utility Crystal DiskMark (version 3.0), copied file 1000MB, unit MB/s

Environmental Specifications	
Operating Temperature	-25 °C to 85 °C
Storage Temperature	- 40 °C to 85 °C
Durability	10.000 mating cycles;
Drop test	1.5m free fall
Regulator	CE/FCC/BSMI

The above technical information is based on industry standard data and has been tested to be reliable. However, Transcend makes no warranty, either expressed or implied, as to its accuracy and assumes no liability in connection with the use of this product. Transcend reserves the right to make changes to the specifications at any time without prior notice.

Order information

Capacity	Transcend Part Number
8GB	TS8GUSDCU1
	TS8GUSDU1*
16GB	TS16GUSDCU1
	TS16GUSDU1*
32GB	TS32GUSDCU1
	TS32GUSDU1*
64GB	TS64GUSDU1*
128GB	TS128GUSDU1*

*with adapter



TAIWAN

E-mail: sales-tw@transcend-info.com

USA

Los Angeles:

E-mail: sales-us@transcend-info.com

Maryland:

E-mail: sales-us@transcend-info.com

Miami:

E-mail: sales-us@transcend-info.com

Silicon Valley:

E-mail: sales-us@transcend-info.com

GERMANY

E-mail: sales-de@transcend-info.com

THE NETHERLANDS

E-mail: sales-nl@transcend-info.com

United Kingdom

E-mail: sales-uk@transcend-info.com

JAPAN

E-mail: sales-jp@transcend-info.com

KOREA

E-mail: sales-kr@transcend-info.com

CHINA

E-mail: sales@transcendchina.com

HONG KONG

E-mail: sales-hk@transcend-info.com

Revision History

Version	Date	Note
1.0	2016/04/06	The 1 st edition