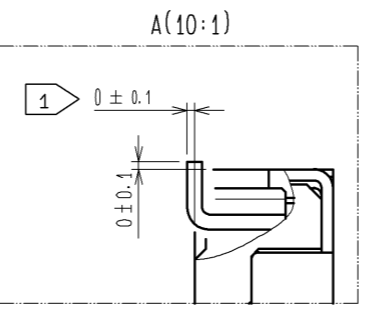
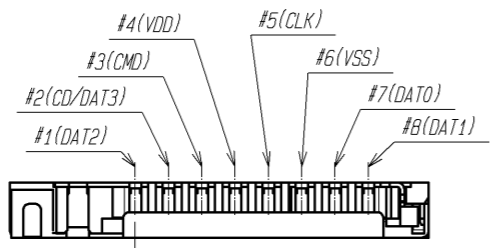
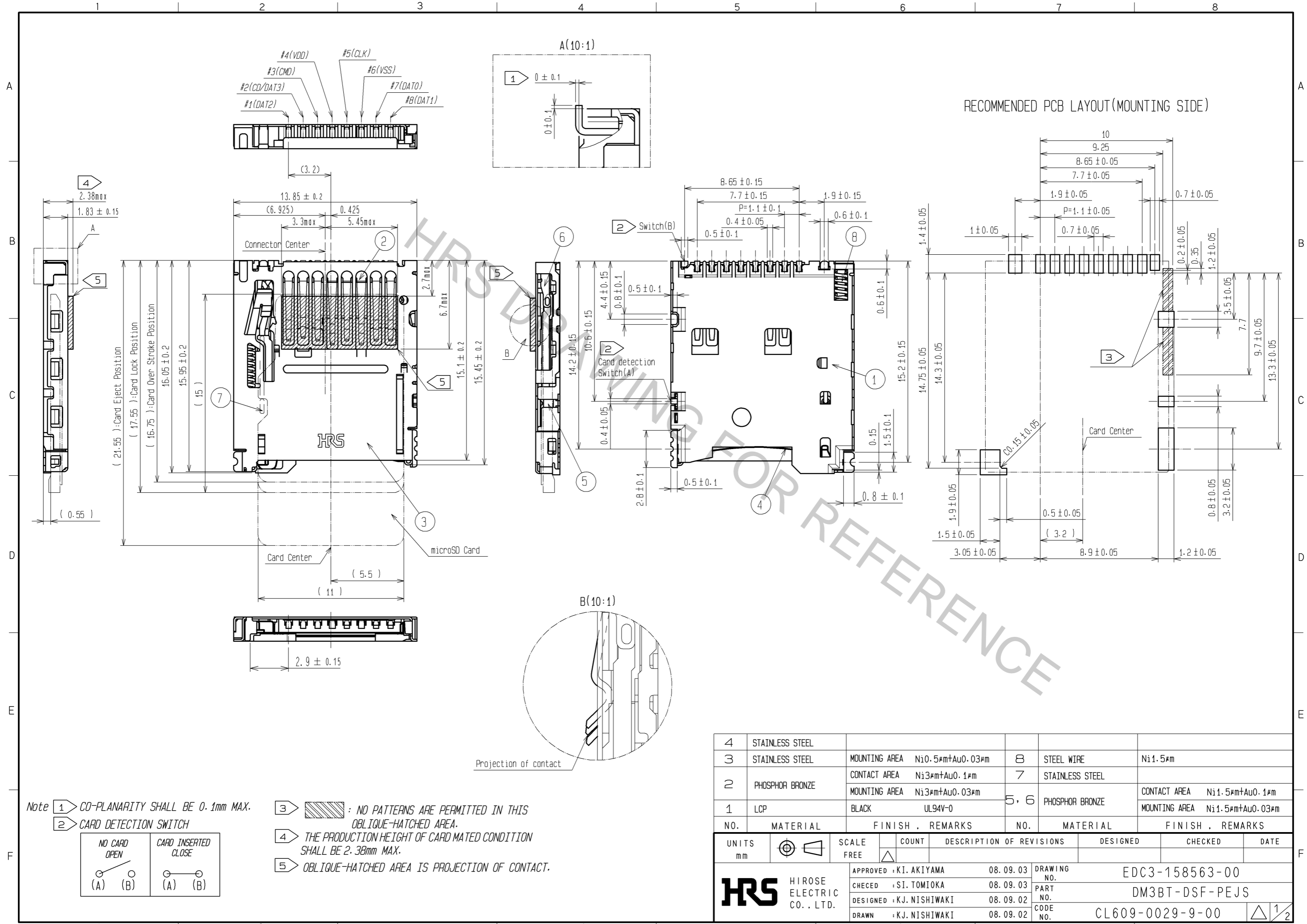
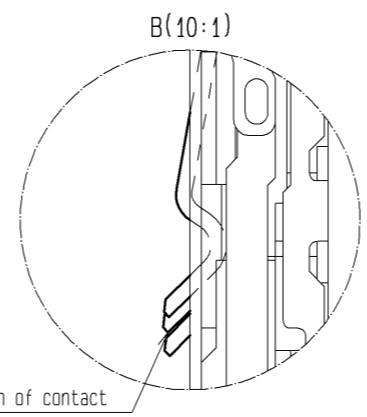
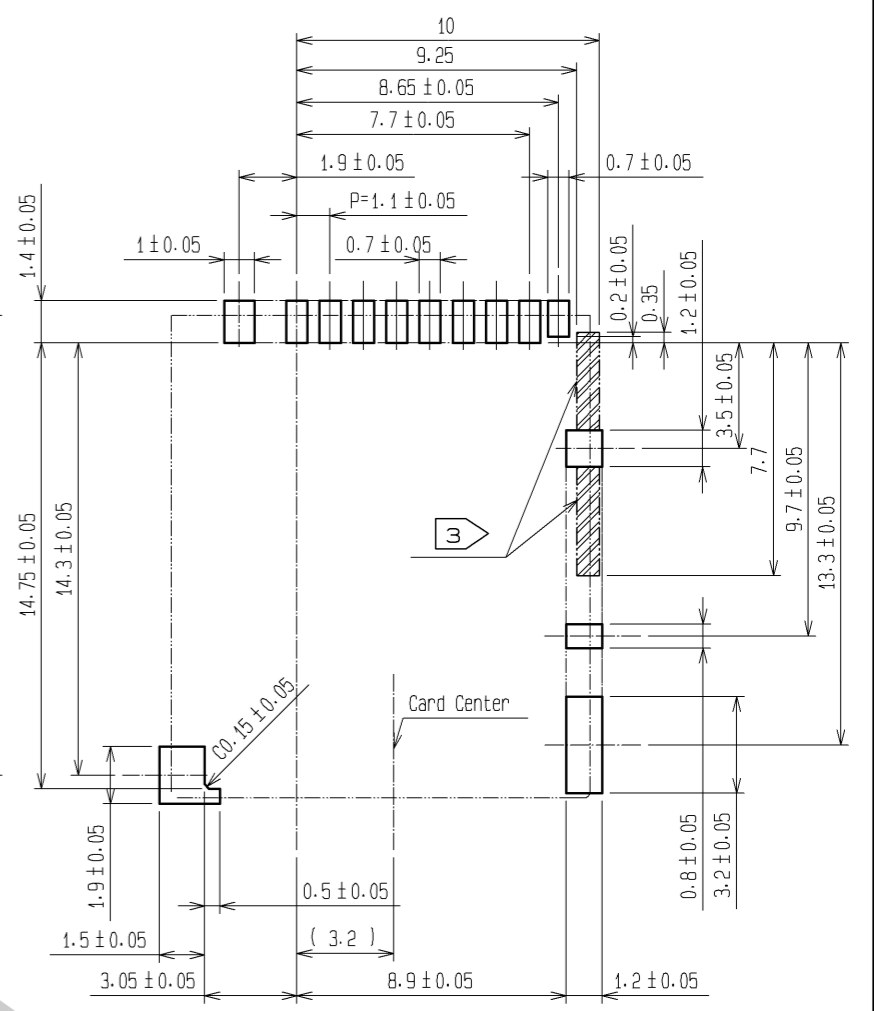


Nov.1.2017 Copyright 2017 HIROSE ELECTRIC CO., LTD. All Rights Reserved.

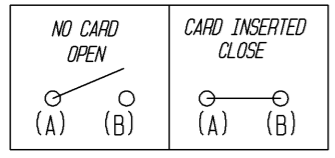


RECOMMENDED PCB LAYOUT(MOUNTING SIDE)



Note 1 CO-PLANARITY SHALL BE 0.1mm MAX.

2 CARD DETECTION SWITCH



3 NO PATTERNS ARE PERMITTED IN THIS OBLIQUE-HATCHED AREA.

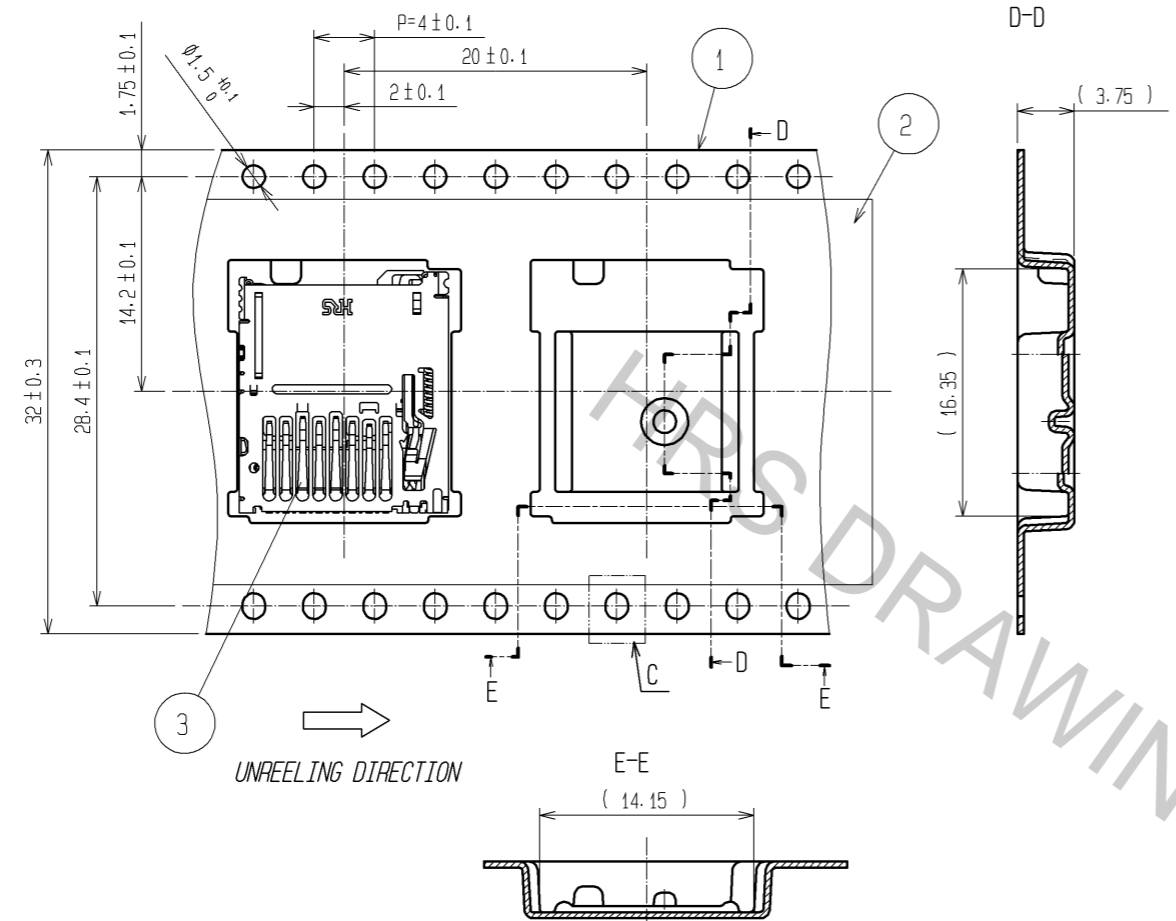
4 THE PRODUCTION HEIGHT OF CARD MATED CONDITION SHALL BE 2.38mm MAX.

5 OBLIQUE-HATCHED AREA IS PROJECTION OF CONTACT.

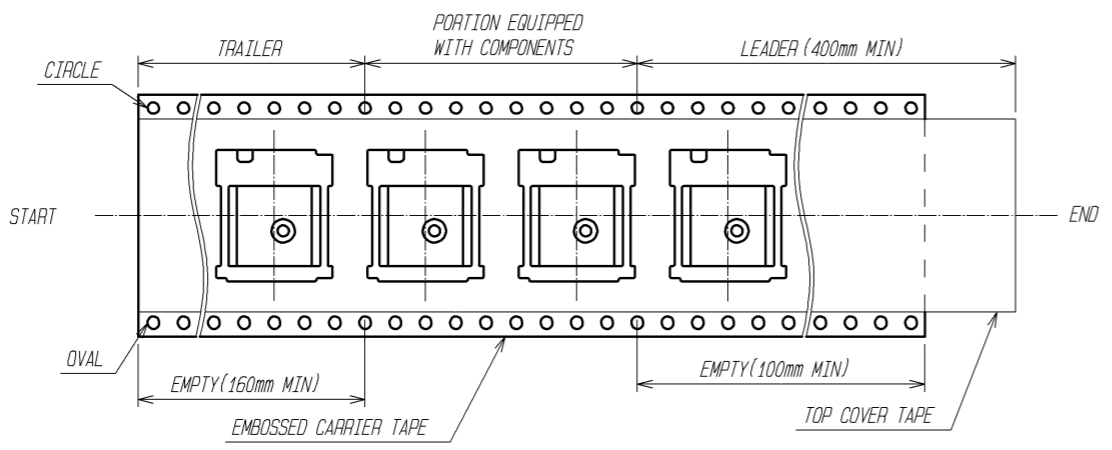
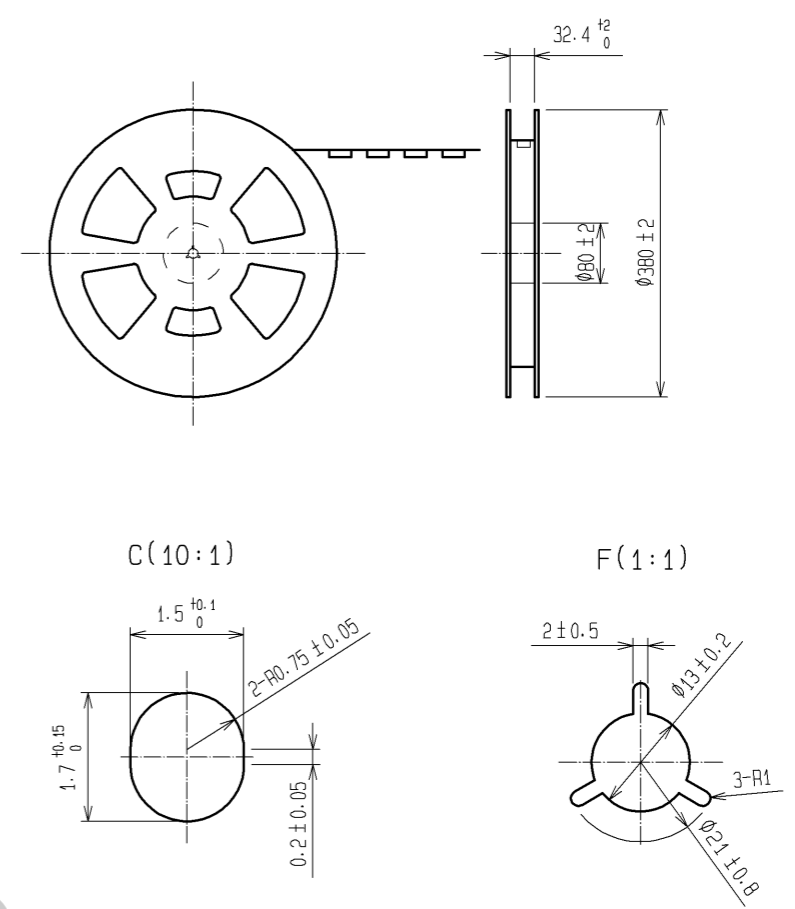
4	STAINLESS STEEL							
3	STAINLESS STEEL	MOUNTING AREA	Ni0.5μm+Au0.03μm	8	STEEL WIRE			
		CONTACT AREA	Ni3μm+Au0.1μm	7	STAINLESS STEEL			
2	PHOSPHOR BRONZE	MOUNTING AREA	Ni3μm+Au0.03μm	5, 6	PHOSPHOR BRONZE			
		CONTACT AREA	Ni1.5μm+Au0.1μm					
1	LCP	BLACK	UL94V-0					
		MOUNTING AREA	Ni1.5μm+Au0.03μm					
NO.	MATERIAL	FINISH	REMARKS	NO.	MATERIAL	FINISH	REMARKS	
UNITS	mm	SCALE	FREE	COUNT	DESCRIPTION OF REVISIONS	DESIGNED	CHECKED	DATE
APPROVED : KI. AKIYAMA		08.09.03		DRAWING NO.		EDC3-158563-00		
CHECKED : SI. TOMIOKA		08.09.03		PART NO.		DM3BT-DSF-PEJS		
DESIGNED : KJ. NISHIWAKI		08.09.02		CODE NO.		CL609-0029-9-00		
DRAWN : KJ. NISHIWAKI		08.09.02						

Nov.1.2017 Copyright 2017 HIROSE ELECTRIC CO., LTD. All Rights Reserved.

6 DRAWING FOR PACKING



DETAIL OF REEL (1:10)



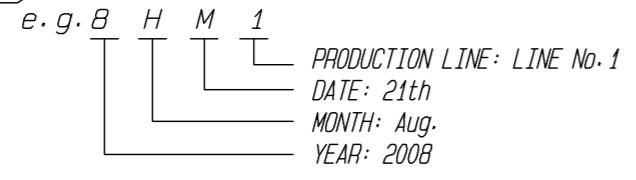
8 MANUFACTURING DATE

YEAR	MONTH	DATE							
YEAR	SYMBOL	MONTH	SYMBOL	DATE	SYMBOL	DATE	SYMBOL	DATE	SYMBOL
2010	0	Jan.	A	1	1	11	B	21	M
2011	1	Feb.	B	2	2	12	C	22	N
2012	2	Mar.	C	3	3	13	D	23	P
2013	3	Apr.	D	4	4	14	E	24	Q
2014	4	May.	E	5	5	15	F	25	R
2015	5	Jun.	F	6	6	16	G	26	S
2016	6	Jul.	G	7	7	17	H	27	T
2007	7	Aug.	H	8	8	18	J	28	U
2008	8	Sep.	I	9	9	19	K	29	V
2009	9	Oct.	J	10	A	20	L	30	W
		Nov.	K					31	X
		Dec.	L						

6 PACKING TYPE: TAPE AND REEL. 1200PCS PER REEL.

7 PLEASE REFER TO TECHNICAL SPECIFICATION : ETAD-F0448
 "DM3BT SERIES PRODUCT INFORMATION AND HANDLING INSTRUCTIONS"
 FOR THE HANDLING OF THE PRODUCT.

8 Lot.No. SHALL BE INDICATED AS SHOWN.



3	(CONNECTORS)	
2	POLYESTER	
1	PS	

NO.	MATERIAL	FINISH . REMARKS	NO.	MATERIAL	FINISH . REMARKS		
UNITS mm		SCALE 2 : 1	COUNT △	DESCRIPTION OF REVISIONS	DESIGNED	CHECKED	DATE
HRS HIROSE ELECTRIC CO., LTD.		APPROVED : KI. AKIYAMA	08.09.03	DRAWING NO.	EDC3-158563-00		
		CHECED : SI. TOMIOKA	08.09.03	PART NO.	DM3BT-DSF-PEJS		
		DESIGNED : KJ. NISHIWAKI	08.09.02	CODE NO.	CL609-0029-9-00		
		DRAWN : KJ. NISHIWAKI	08.09.02		△ 2/2		