

# **Freeplay<sup>®</sup>** **Self-Powered Lantern**



*Model FPSL  
Designed and made in South Africa*

# ***Introducing the Freeplay® Self-Powered Lantern***

Congratulations on purchasing the Freeplay® Self-Powered Lantern.

## ***1. Storing Energy***

The Freeplay® Self-Powered Lantern is equipped with two different energy storage facilities.

### **1.1 Carbon Steel Spring**

Your own energy is stored in a spring by winding the handle. This energy is released on demand and converted into electricity. The bulb may be operated directly by the spring even if the battery is flat.

### **1.2 Rechargeable Battery**

An internal 700mAh rechargeable battery provides for up to two hours of shine time when fully charged by an AC/DC or car adapter.

## ***2. Charging the Freeplay® Self-Powered Lantern***

### **2.1 Charging the spring**

Set switch to OFF position. Unclip the winding handle from its seat and swing out 180°. Hold lantern firmly whilst cranking the handle clockwise. 60 turns fully energises the spring. After 60 turns an endstop prevents overwinding.

### **2.2 Charging the battery**

The rechargeable battery may be recharged in the following ways:

### **2.2.1 AC/DC and car adapter**

The Freeplay® Self-Powered Lantern may be charged by an AC/DC (12V 300mA) adapter or a 12V car adapter (available from your BayGen retailer).

To charge, move the switch to the OFF position. Plug the adapter into the wall socket and insert the DC-jack into the DC IN socket on the rear of the lantern. The red light on the switch seal will illuminate, indicating a fast charging condition. After approximately 6 hours the red light will go off indicating that the battery is fully charged.

**NOTE:** To improve battery life, unplug the lantern when the battery is charged, unless the lantern is used regularly.

### **2.2.2 Spring Generated Electricity**

The battery may be charged by successive spring dumps into the battery. With the switch set to the OFF position fully wind the spring. Set the switch to the CHARGE position and allow the spring to unwind fully. (Setting switch to CHARGE diverts spring energy away from the bulb and into the battery as the spring unwinds.) Repeat to increase charge levels.

## ***3. Operation***

The Freeplay® Self-Powered Lantern may be operated directly by spring generated electricity or by using its internal rechargeable battery.

### **3.1 Spring Operation**

- Fully wind the spring (60 turns) with switch in OFF position. (Setting the switch to OFF position preserves spring energy indefinitely by applying a mechanical brake to the system.)
- To operate bulb, select FLASH or ON as required.
- Each full spring wind provides a minimum of 3 minutes shine time.

### **3.2 Battery Operation**

- Charge battery using mains adapter or via successive spring discharges (see 2.2.1).
- To operate bulb, select FLASH or ON as required.

## **4. Flash**

The lantern is equipped with a flasher unit. Selecting FLASH will cause the bulb to flash at 1 Hz. Operating the lantern in flash mode will approximately double the shine time.

## **5. Mechanical Brake**

The Freeplay<sup>®</sup> Self-Powered Lantern mechanism is equipped with a mechanical brake. This allows spring energy to be preserved indefinitely and to be instantly available when required. To store the lantern in the fully (or partially) wound condition the switch should be in the OFF position. This activates the mechanical brake and prevents the spring from unwinding.

## **6. Power Out Facility**

When not used for illumination the Freeplay<sup>®</sup> Self-Powered Lantern may be used as a generator to supply power to most appliances using two AA batteries. Its output capacity is limited to 3V and 350mA. Operation and charging are as per lantern instructions. Insert the Power Out lead (available from your BayGen<sup>®</sup> retailer) into the 3V DC OUT socket and attach it to the auxiliary appliance. Set switch to CHG position.

## **7. Battery Replacement**

If used correctly the rechargeable battery should provide many years of trouble free operation. Please heed the NOTE in 2.2.1 above to improve battery life. To replace the battery remove the front lens assembly by twisting it counter-clockwise and withdrawing it from the lantern body. Remove the battery from its recess and unplug. Replacement batteries are available from your BayGen<sup>®</sup> retailer. The battery is supplied with the RBRC (Recyclable Battery Recycling Corporation) seal. Ni-Cd batteries should be disposed of in an environmentally friendly way as prescribed by your local regulations.

## **8. Bulb Replacement**

The bulb is a high intensity Xenon filled unit designed and made especially for the Freeplay<sup>®</sup> Self-Powered Lantern. The Freeplay<sup>®</sup> Self-Powered Lantern is equipped with a spare bulb. Should the bulb fail, remove the lens assembly by twisting it counter-clockwise and withdrawing it from the lantern body. Remove the bulb by pulling. Push a replacement bulb into place. Further replacement bulbs (2.3V 350mA) are available from your BayGen<sup>®</sup> retailer.

## **9. Specifications**

- *Spring Engine:*

Carbonsteel spring driving a DC generator through a transmission. 60 winds provide full energy storage. Spring lifetime 10 000 cycles.

- *Rechargeable Battery:*

Two AA 700mAh Ni-Cd batteries charged by a 12V 300mA adapter (2.1 mm centre pin positive jack)

approximate charge rates:

2 hours	50% capacity
6 hours	100% capacity

- *Auxiliary Power Output:*

3V 350mA DC (2.5mm centre pin positive)

- *Light Source:*

T 1 ½ 2.3V 350mA Xenon filled ultra bright bulb

- *Dimensions*

	US (inches)	Metric (mm)
Height	7 "	170
Length	10 "	250
Width	5 ½ "	140
Weight	4lbs 7oz	2kg

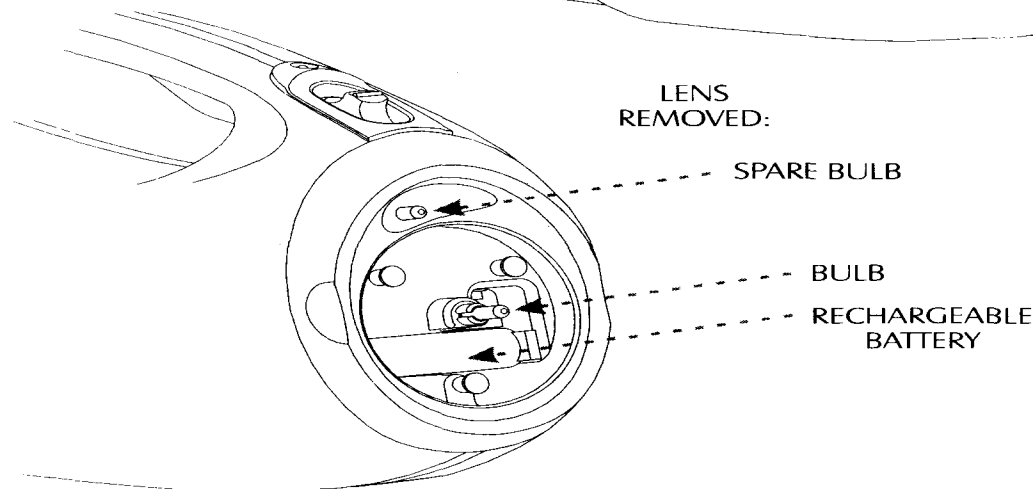
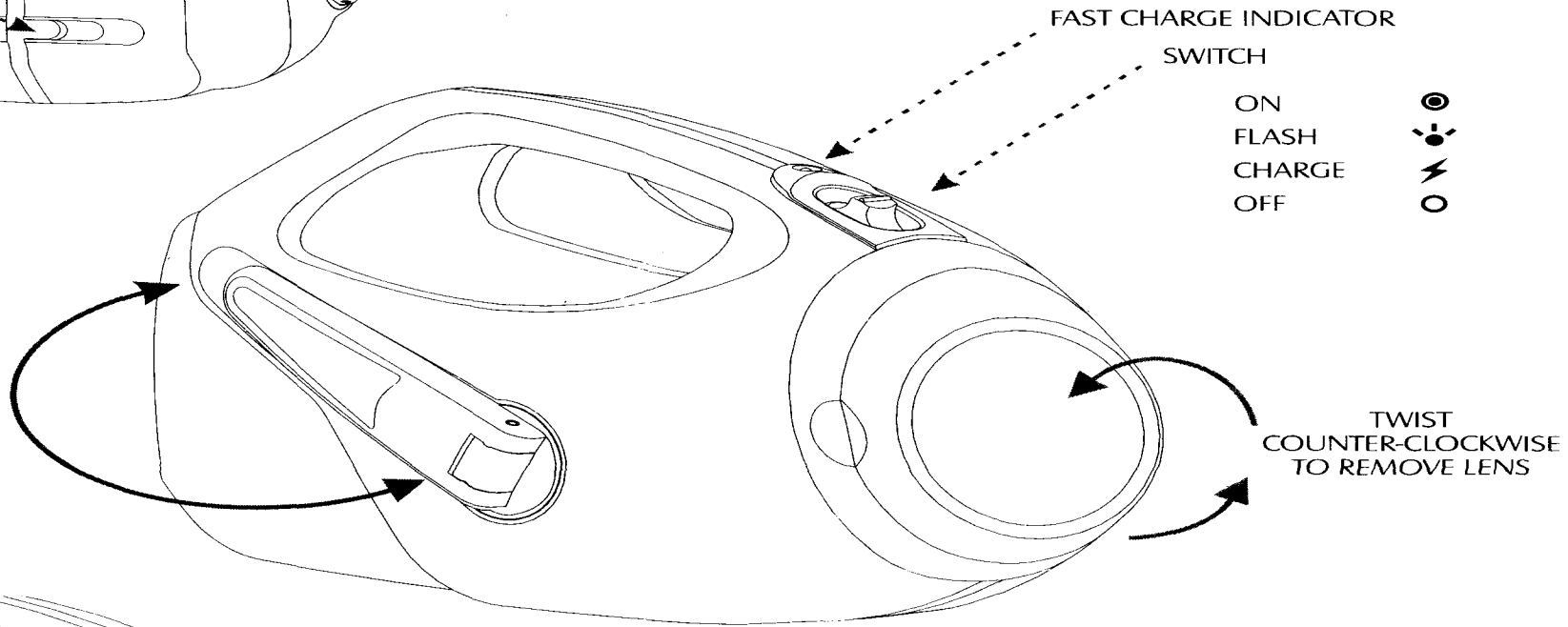
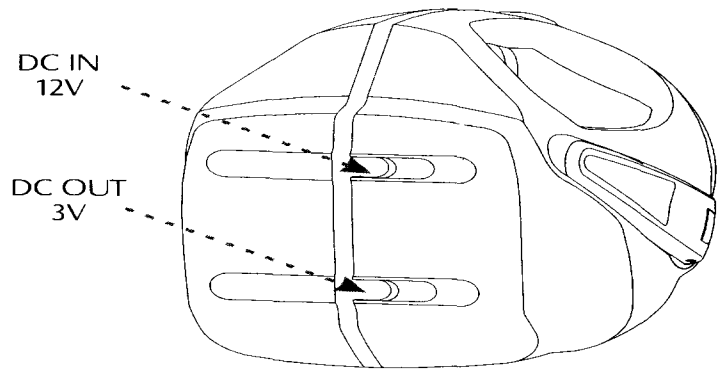
# ***Important***

- Always wind the spring with the switch set to OFF position.
- After winding, always store the winding handle in its recess. Do not allow spring to unwind with the handle in the winding position.
- If the bulb does not illuminate when the switch is set to ON position as the spring unwinds, the bulb has probably failed. Replace the bulb.
- After use, ensure that the switch is set to OFF position. Never leave the switch in FLASH or ON position even if the spring is fully discharged.
- Do not leave the charger plugged into the Lantern unless the Lantern is used regularly. This prolongs the battery life.
- Never operate the Lantern without a battery correctly fitted.
- It is normal to hear the sound of the spring engine when operating the Lantern.

## ***Warning***

**DO NOT UNDER ANY  
CIRCUMSTANCES OPEN  
LANTERN CASE**

The Freeplay® Self-Powered Lantern contains a powerful spring, which could cause injury if lantern case is opened.



**Warning**  
DO NOT  
UNDER ANY CIRCUMSTANCES  
OPEN LANTERN CASE

## **Freeplay<sup>®</sup> Warranty**

Congratulations on your choice of the Freeplay<sup>®</sup> Self-Powered Lantern. We, BayGen<sup>®</sup> Power Company (Pty) Ltd, undertake that if within 5 years of the date of purchase, this appliance or any part thereof is proved to be defective by reason only of faulty workmanship or materials, we will, at our option repair or replace the same FREE OF ANY CHARGE for labour or materials on condition that:

- The complete unit is returned to us postage paid
- The appliance has not been serviced, maintained, repaired, taken apart or tampered with by any person not authorised by BayGen<sup>®</sup>
- All service work is undertaken by BayGen<sup>®</sup> or appointed agents
- Any defective appliance or part replaced shall become BayGen<sup>®</sup> property
- This guarantee is in addition to your statutory and other legal rights

### **EXCLUSIONS**

- Damage caused or incurred as a result of improper use or neglect.
- Removable or replaceable parts ie. bulb and rechargeable battery.

### **5-YEAR WARRANTY**

For registration of your 5-year warranty please complete and return the adjoining section within 30 days of purchase to the RELEVANT APPROVED DISTRIBUTOR in your area (see last page).

## **List of Approved Distributors**

### **USA, CENTRAL & SOUTH AMERICA**

BayGen® USA  
80 Amity Road  
Warwick, NY 10990  
U.S.A.

### **CANADA**

BayGen® Canada  
316 Dupont Street  
Toronto, Ontario  
CANADA, M5R 1V9

### **AFRICA**

BayGen® Africa  
Alphen Park  
Constantia Main Road, Constantia  
Cape Town, 7800  
SOUTH AFRICA

### **UNITED KINGDOM, EEC, NORTH AFRICA, MIDDLE EAST**

BayGen® Europe  
Claverton House, Longwood Court  
Love Lane, Cirencester  
GLOS, GL7 1YG  
UNITED KINGDOM

### **AUSTRALIA**

BayGen® Australia  
6/171 Woodland Street, Balgowlah  
Sydney, NSW, 2093  
AUSTRALIA



**WORLD LEADER IN PERSONAL POWER GENERATION**