

Datasheet

RS Pro Shielded Power Inductors



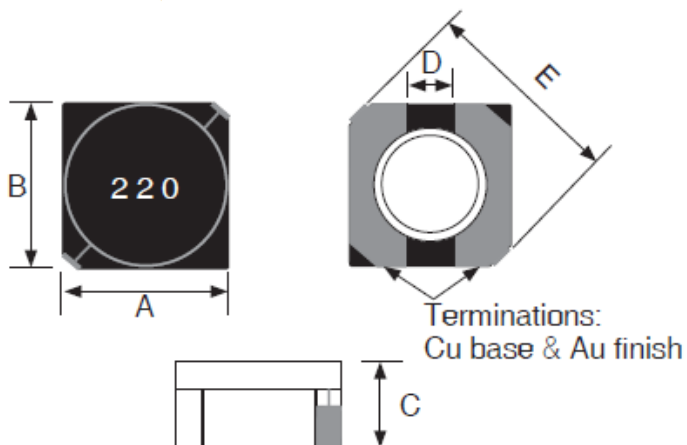
Features:

- Shielded power inductor
- Small size with current ratings to 5.2A
- Surface mountable construction
- High inductance (up to 1000 μ H)
- Taped and reeled for automatic insertion
- For use in DC/DC converters

Case Size	43
Inductance Range	1.2 ~ 270 μ H
Ambient Operating Temperature Range	-55°C ~ +85°C
Maximum Component Temperature (Ambient + Self-Heating)	+125°C
Temperature Rise at Irms	+40°C
Inductance Change at Isat	-35% typical
Inductance Tolerance	\pm 20% (M), \pm 30% (Y)
Resistance to Solder Heat	+250°C for 10 seconds

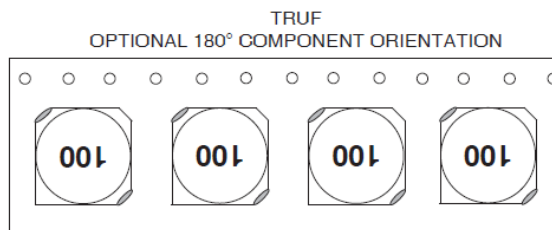
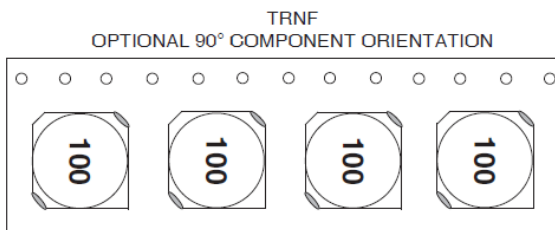
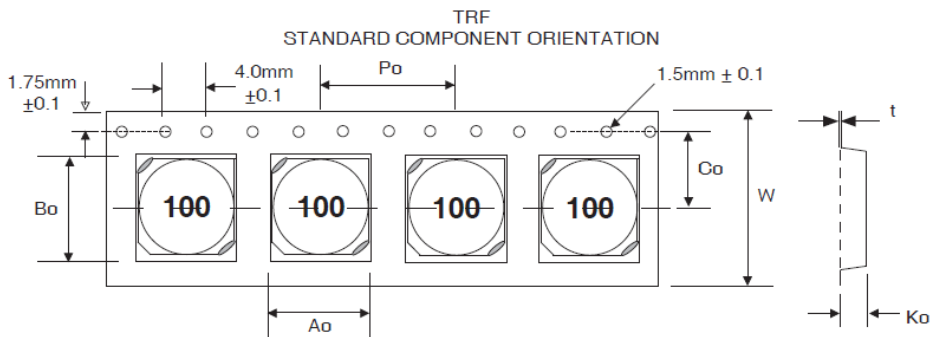
Dimensions:

Size	A	B	C	D typ.	E
43	4.7 + 0.3	4.7 + 0.3	2.8 + 0.2	1.4	6.4 + 0.5

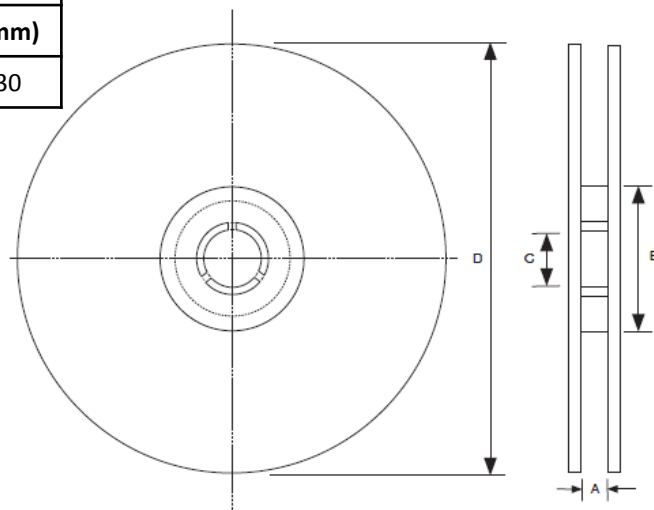


Stock No.	Standard Values - Case Size 43 (5.0 x 5.0 x 3.0mm)			
	Inductance Value (μH)	Test Conditions (L)	DC Resistance (Ω)	DC Current Isat/Irms (Amps)
7419044	2.2 \pm 30%*	100KHz, 0.3V	0.0313	2.04
7419066	6.8 \pm 30%*	100KHz, 0.3V	0.108	1.12
7419060	8.2 \pm 30%*	100KHz, 0.3V	0.118	1.04
7419072	12 \pm 20%	1KHz, 0.3V	0.132	0.84
7419085	18 \pm 20%	1KHz, 0.3V	0.165	0.72
7419091	33 \pm 20%	1KHz, 0.3V	0.331	0.56
7419098	47 \pm 20%	1KHz, 0.3V	0.587	0.48
7419108	56 \pm 20%	1KHz, 0.3V	0.624	0.41
7419114	100 \pm 20%	1KHz, 0.3V	1.02	0.29
7419117	120 \pm 20%	1KHz, 0.3V	1.27	0.27
7419120	180 \pm 20%	1KHz, 0.3V	1.54	0.22

Case Size	Reel Qty.	Carrier Tape Dimensions (mm)						
		W	A0	B0	Co	K0	Po	T
43	2,500	12.0	5.4	5.4	5.5	3.3	8	0.3



Tape Width	Reel Dimensions (mm)			
	A(mm)	B(mm)	C(mm)	D(mm)
12mm	12.5 \pm 0.1	100 \pm 1	13.0 \pm 0.5	330



Size	Reel Quantity (330mm Reel)
Qty./Reel	2500
Tape Width	12mm