

.050" (1,27mm) CABLE STRIPS FFSD SERIES

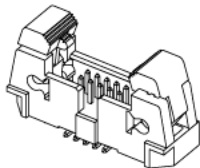
Mates with:
FTS, FTSH, EHF

SPECIFICATIONS

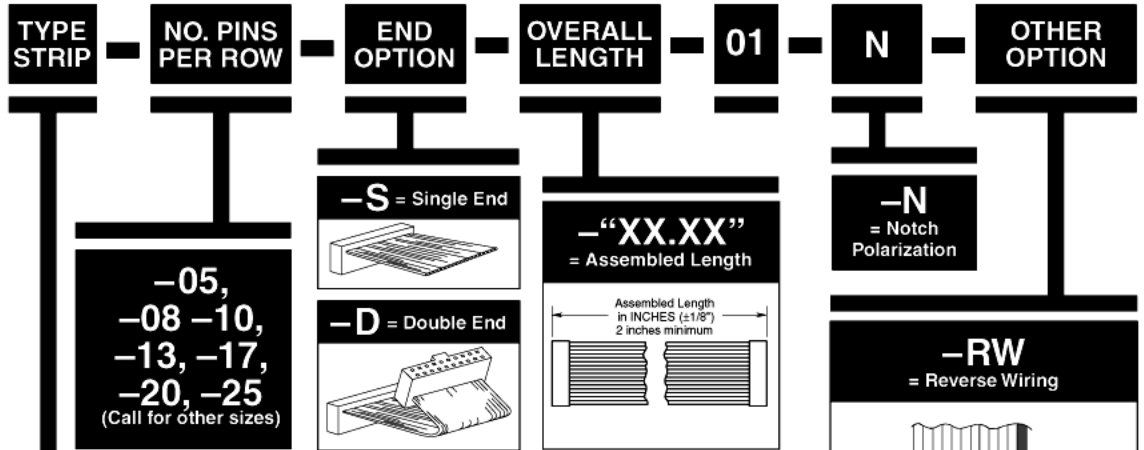
For complete specifications see www.samtec.com?FFSD

Insulator Material: Black Glass Filled Polyester
Contact: BeCu
Current Rating: 0.5A
Operating Temp Range: -40°C to +105°C
Plating: 10µ" (0,25µm) Au over 50µ" (1,27µm) Ni on contact area; Sn over 50µ" (1,27µm) Ni on balance
Lead Size Accepted: (0,41mm) .016" SQ
Contact Resistance: 10 m maximum
Insertion Depth: (2,64mm) .104" to (3,17mm) .125"
Insertion Force: (Single contact only) 5oz (1,39N) avg
Withdrawal Force: (Single contact only) 3oz (0,83N) avg
Wire: 30 AWG

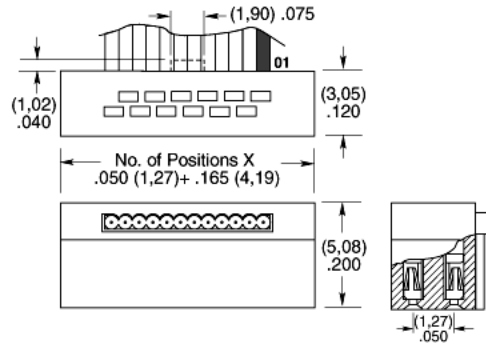
EJECTOR HEADER



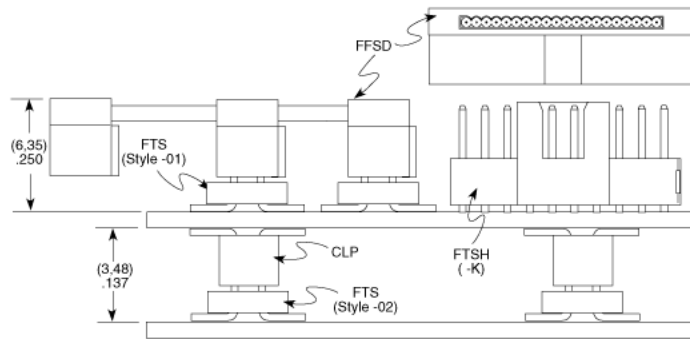
See EHF Series.



FFSD = Socket Strip



APPLICATIONS



Note: This Series is non-standard, non-returnable.

Due to technical progress, all designs, specifications and components are subject to change without notice.

WWW.SAMTEC.COM

SAMTEC USA • Tel: 1-800-SAMTEC-9 or 812-944-6733 • Fax: 812-948-5047
 SAMTEC FRANCE • Tel: 01 60 95 06 60 • Fax: 01 60 95 06 61
 SAMTEC SCANDINAVIA • Tel: +46-84477280 • Fax: +46-87420413
 SAMTEC CHINA • Tel: 86-21-5385-4089 • Fax: 86-21-5385-4047
 SAMTEC HONG KONG • Tel: 852-26904858 • Fax: 852-26904842
 SAMTEC UK • Tel: 01236 739292 • Fax: 01236 727113
 SAMTEC ITALY • Tel: 39 039 6890337 • Fax: 39 039 6890315
 SAMTEC ASIA PACIFIC • Tel: 65 6745-5955 • Fax: 65 6841-1502
 SAMTEC TAIWAN • Tel: 886-02-2364-6077 • Fax: 886-02-2367-9531
 SAMTEC GERMANY • Tel: +49 (0) 89 / 89460-0 • Fax: +49 (0) 89 / 89460-299
 SAMTEC ISRAEL • Tel: 972-3-7526600 • Fax: 972-3-7526690
 SAMTEC JAPAN • Tel: 81-424-42-8318 • Fax: 81-424-42-8319