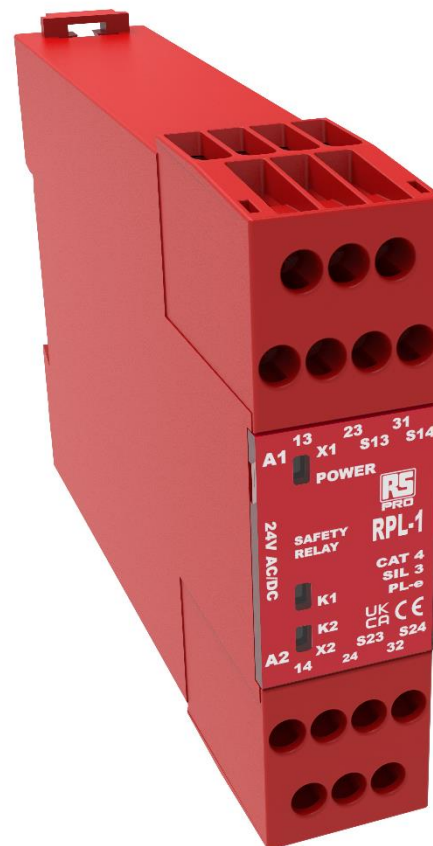


## Features

- Dual Channel.
- LED Indication.
- Slim 22.5mm width.
- Designed for operation with RS PRO non-contact safety switches.
- Selectable Automatic or Manual reset options.
- 24Vdc Supply.

## Non programmable Safety Relay

RS Stock No.: 0656642



RS PRO is the own brand of RS. The RS PRO Seal of Approval is your assurance of professional quality, a guarantee that every part is rigorously tested, inspected, and audited against demanding standards. Making RS PRO the Smart Choice for our customers.

## Product Description

*The RPL-1 Safety relay has dual channel, low voltage inputs, two normally open control contact outputs and one normally closed indication contact.*

*With LED indication to speed up fault finding and a slim 22.5mm DIN rail mounting enclosure, the RPL-1 takes up minimum control panel space.*

*Designed for operation with the RS PRO range of non-contact safety switches, the RPL-1 is also suitable for use with dual channel Emergency Stop buttons, or safety devices with 2 safety outputs e.g. mechanical safety switches.*

*Depending on installation the RPL-1 can be used in CAT-4 / SIL 3 safety circuits.*

## Electrical Specifications

Supply voltage	24Vac/dc (+/- 15%)
Nominal Power Consumption	3VA
Safety Contacts	2 x N/O
Auxiliary Contact	1 x N/C
Output Contact Rating (Max)	4A/230Vac; 2A/24Vdc(Res.)@Cos=1
Output Contact Rating (Min)	10V/10mA
Output Contact Fuse Rating	AC=5A; DC=2.5A; Quick blow
Drop Out Time	Deactivation by inputs, 13ms
Internal Fuse	100mA Resettable
Internal Fuse Recovery Time	>2 Seconds
Internal Switches	Reset Manual / Automatic - Selectable
Max Conductor Size	1 x 2.5mm stranded with sleeves, 1 x 4 mm solid
Installation Group (Control Unit)	C in accordance with VDE0110
Enclosure protection	Housing IP40, Terminals IP20
Operating Temperature	-10C to +55C (85% Humidity max)
Storage Temperature	-20C to +60C
Housing Material	Polycarbonate Red
Mounting / Fixing	35mm Symmetric DIN Rail
Safety Contacts: AC1 at 230V	Imin:10mA. Imax:4A
Safety Contacts: DC1 at 24V	Imin:10mA. Imax: 2A

## Protection Category

PL in accordance with EN ISO 13849-1	PL-e, CAT 4
SIL CL in accordance with EN IEC 62061	SIL 3
PFHd in accordance with EN IEC 62061	$5.63^{-08}$
PFH	$3.37^{-08}$
B10d	$2 \times 10^6$
MTTFd	>100 years (Based on usage rate of 360 days/year, 24 hours/day, 10 operations/hour)
Tm (mission time)	20 years
DC	99%
SFF	98.2%

## Approvals

CE	Complies with all relevant sections of the CE marking directive
UKCA	Complies with all relevant sections of the UKCA marking directive
TUV	CAT 4 SIL 3 PLe
EN ISO 13849-1	Safety of Machinery – Safety related parts of control systems
EN ISO 62061	Safety of Machinery – Functional safety of safety related electrical, electronic and programmable electronic control systems
EN 60204	Safety of Machinery - Electrical equipment for machines
EN 60947-5-1	Low voltage switchgear and control gear
EN 14119	Interlocking devices associated with guards
EN 60947-5-3	Safety of Machinery – Specification for low voltage switchgear and control gear

## Similar Products

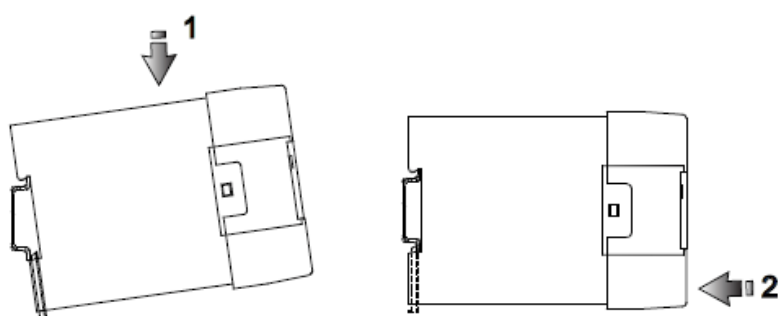
Stock No.	Brand	Product Name	Attribute 1	Attribute 2	Attribute 3
405.000	RS PRO	RPL-1	24VAC/DC	2NO+1NC	LED Indication

## Mounting and Indication

### Mounting on 35mm DIN Rail

The control modules are designed to be mounted in an IP55 (minimum) control cabinet.

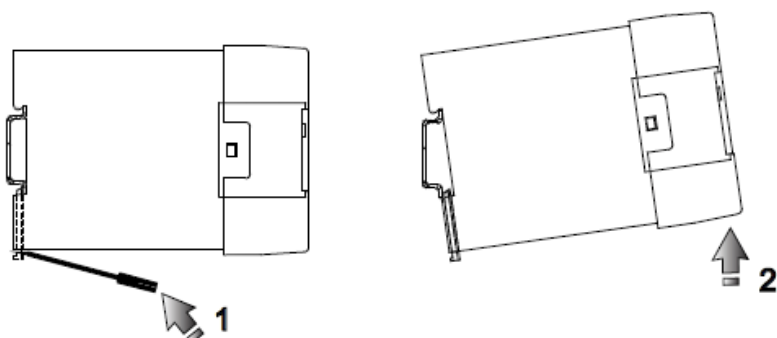
The modules clip on to standard 35 mm symmetric DIN-Rail



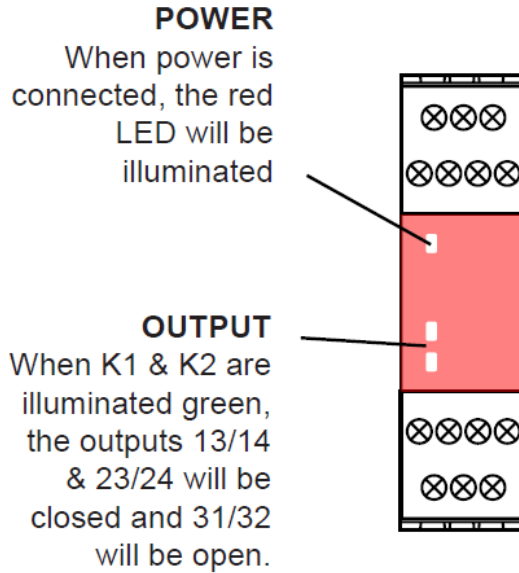
### Removal from 35mm DIN Rail

To remove the modules, gently lever out the DIN clip with a small screwdriver as shown (1).

Tilt the unit in the direction (2) and slip the unit off the DIN Rail

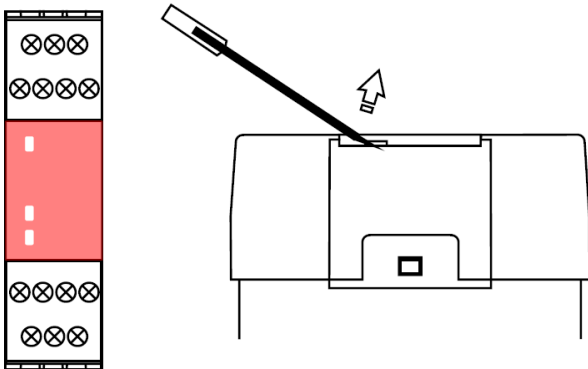


## Indication

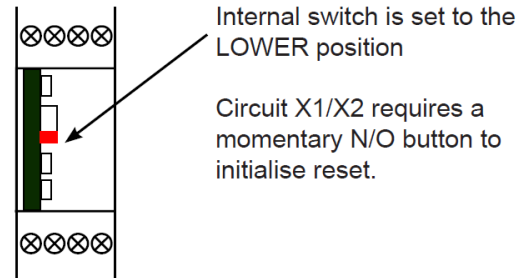


## Reset Circuit

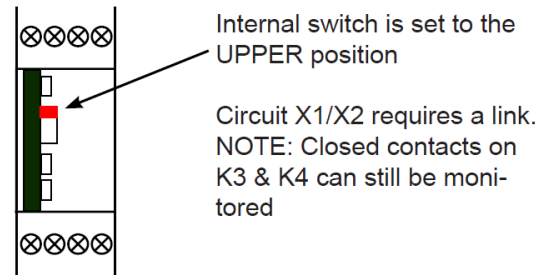
To remove lid, use small screwdriver in the lid recess as shown and prise gently upwards.



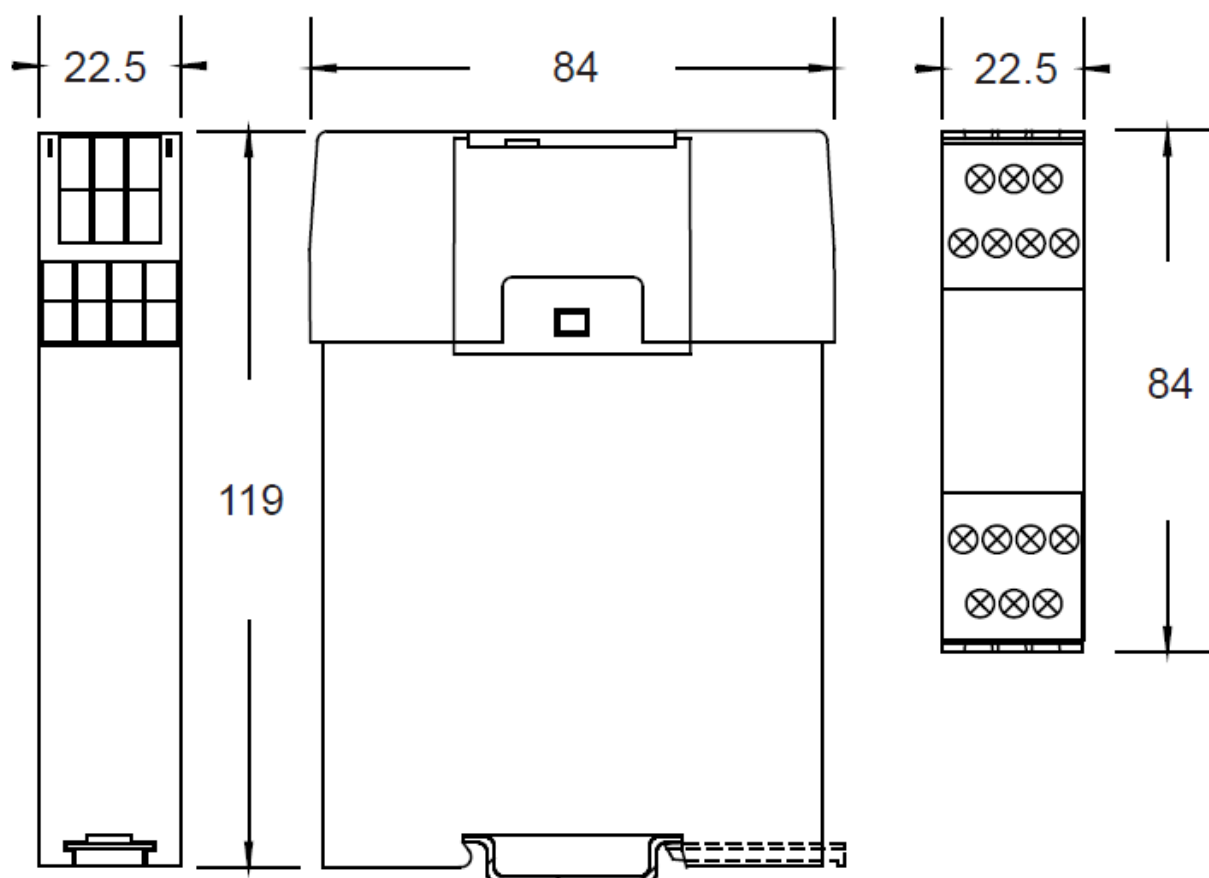
## Manual Reset



## Automatic Reset



## Dimensions



## Maintenance

It is recommended to check the safe operation of the switches and look for signs of damage or excessive wear on a weekly basis. Damaged units should be replaced or returned to the manufacturer for repair where practical.

## Notes

In the interest of product development specifications are subject to change without notice.

It is the responsibility of the user to ensure compliance with any acts or by-laws in place.

All information regarding equipment is believed to be accurate at the time of printing. Responsibility cannot be accepted for errors or omissions.

All dimensions are approximate.