

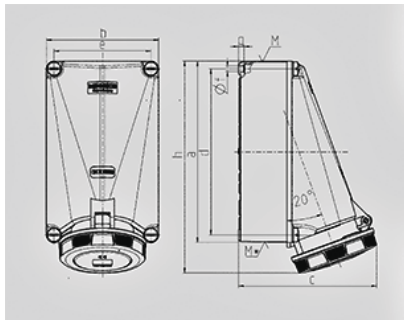
## Wall mounted receptacle - Part no. 143



- screw terminals
- X-CONTACT
- products with pilot contact on request

### Technical information

Ampere	125 A
Poles	5 p
Voltage	400 V
Earth position	6 h
Hertz	50-60 Hz
Connection technology	Screw terminals, X-CONTACT
Contact	standard
Protection type	IP 67



Drawing 1 MB 162	Amp. Poles	125	
		4	5
Dim. in mm	a	264	264
	b	163	163
	c	200	200
	d	240	240
	e	140	140
	f	8,1	8,1
	g	8	8
	h	306	306
	M	50	50
	M*	50	50
	Max. cable diam. (mm)	38	38
	Terminal for cond. cross section (mm <sup>2</sup> ) min.-max.	25	25
		—35	—35