

22MM METAL ROUND ACTUATOR: PUSHBUTTON WITH RAISED FRONT RING WITH HOLDER YELLOW



| Actuator:   |    |   |
|---|----|---|
| Design of the operating mechanism   |    | pushbutton switch with raised front ring (height 15.5 mm) |
| Shape / of the activation element   |    | round   |
| Manner of function / of the activation element  |    |   |
| <ul style="list-style-type: none"> <li>• arresting lock</li> <li>• tentative</li> </ul> |    | No<br>Yes   |
| Outer diameter / of the activation element  | mm | 28.5  |
| Material / of the activation element  |    | plastic   |

| Button:               |  |        |
|-----------------------|--|--------|
| Design of the button  |  | raised |
| Color / of the button |  | yellow |

| Front ring:                  |  |        |
|------------------------------|--|--------|
| Material / of the front ring |  | metal  |
| Color / of the front ring    |  | silver |

| General technical details:               |  |   |
|--|--|---|
| Design of the product                    |  | with raised front ring (height 15.5 mm) |
| Number of control points                 |  | 1                                       |
| Number of indicator lights / installable |  | 0                                       |

|  |     |                   |
|--|-----|-------------------|
| <b>Number of switching positions</b>   |     | 2                 |
| <b>Product extension / optional / fluorescent materials</b>  |     | No                |
| <b>Product function / emergency-OFF function</b>   |     | No                |
| <b>Type of unlocking device</b>  |     | without           |
| <b>Resistance against shock</b><br>• for devices without incandescent lamp / according to IEC 60068-2-27                               |     | <= 50g            |
| <b>Operating cycles / maximum</b>  | 1/h | 1,000             |
| <b>Resistance against vibration / according to IEC 60068-2-6</b>   |     | 20 ... 200 Hz: 5g |
| <b>Mechanical operating cycles as operating time / typical</b>   |     | 10,000,000        |
| <b>Item designation</b><br>• according to DIN 40719 extendable after IEC 204-2 / according to IEC 750<br>• according to DIN EN 61346-2 |     | S<br><br>S        |

#### Auxiliary Contacts:

|   |  |   |
|---|--|---|
| <b>Number of NC contacts / for auxiliary contact</b>          |  | 0 |
| <b>Number of NO contacts / for auxiliary contact</b>          |  | 0 |
| <b>Number of change-over switches / for auxiliary contact</b> |  | 0 |

#### Installation/mounting/dimensions:

|  |     |                |
|--|-----|----------------|
| <b>Product component / front ring</b>                            |     | Yes            |
| <b>Material / of the housing</b>                                 |     | metal          |
| <b>Type of mounting</b>  |     | front mounting |
| <b>Installation width</b>  | mm  | 22             |
| <b>Shape / of the installation hole</b>                          |     | round          |
| <b>Mounting diameter</b>   | mm  | 22             |
| <b>Height</b>  | mm  | 30             |
| <b>Width</b>   | mm  | 30             |
| <b>Depth</b>   | mm  | 45             |
| <b>Tightening torque / of the screws in the holder / maximum</b> | N·m | 1              |

#### Ambient conditions:

|  |    |                                |
|--|----|--------------------------------|
| <b>Ambient temperature</b><br>• during the operating phase<br>• during storage | °C | 70 ... -25<br>°C<br>-40 ... 80 |
| <b>Protection class IP</b>   |    | IP67                           |
| <b>Climatic class / according to DIN EN ISO 6270-2</b>                         |    | KTW24                          |

#### Certificates/approvals:

General Product Approval



[ROSTEST](#)



Test Certificates

[Manufacturer](#)

Shipping Approval

[ABS](#)



[PRS](#)



other

[Manufacturer](#)

Further information:

Information- and Downloadcenter (Catalogs, Brochures,...)

<http://www.siemens.com/industrial-controls/catalogs>

Industry Mall (Online ordering system)

<http://www.siemens.com/industrial-controls/mall>

CAX-Online-Generator

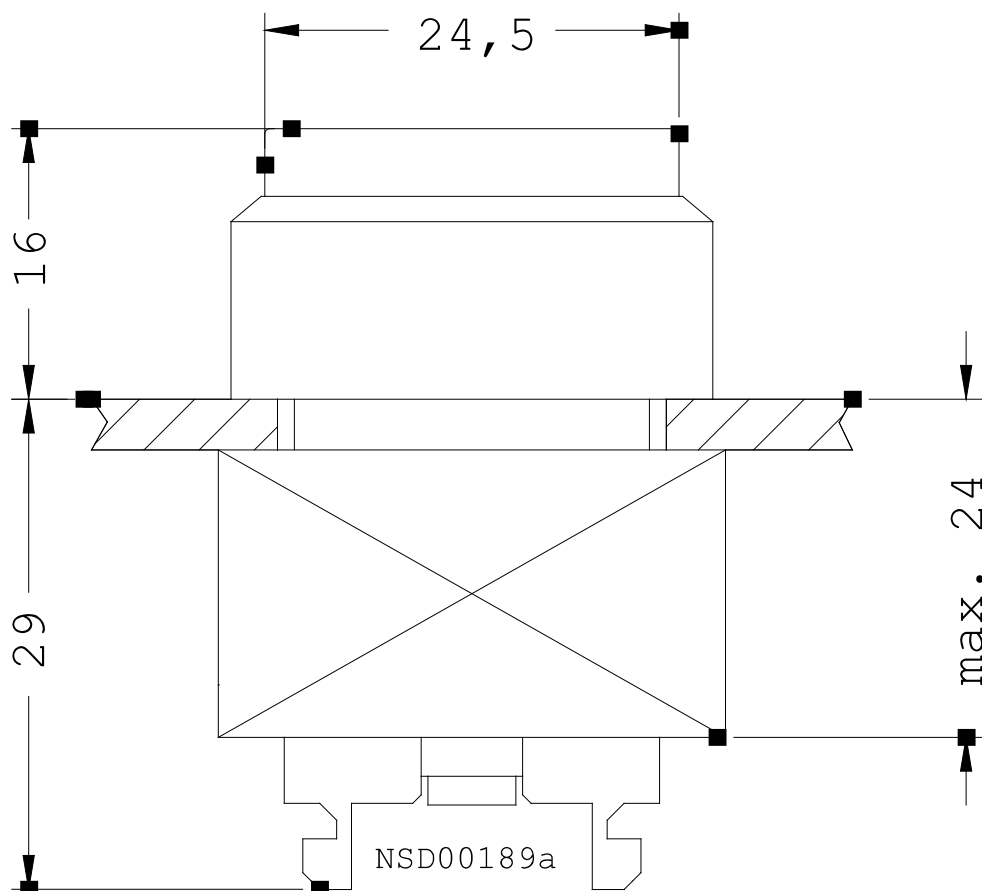
<http://www.siemens.com/cax>

Service&Support (Manuals, Certificates, Characteristics, FAQs,...)

<http://support.automation.siemens.com/WW/view/en/3SB3500-0AA32/all>

Image database (product images, 2D dimension drawings, 3D models, device circuit diagrams, ...)

[http://www.automation.siemens.com/bilddb/cax\\_en.aspx?mlfb=3SB3500-0AA32](http://www.automation.siemens.com/bilddb/cax_en.aspx?mlfb=3SB3500-0AA32)



last change:

Sep 6, 2010