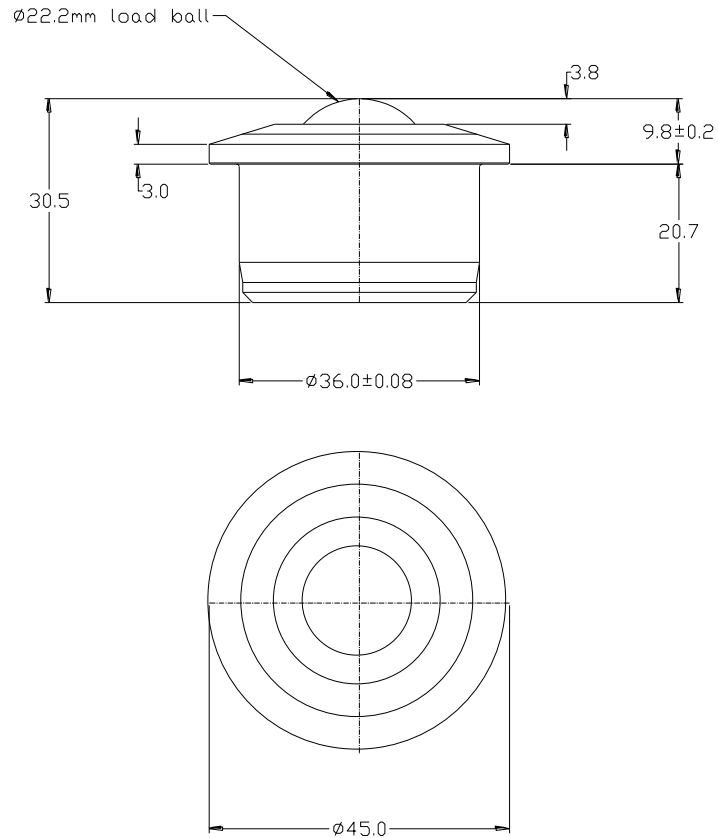


8002216 DATASHEET



PART No.	BALL SIZE (mm)	WEIGHT (kgs)	MAXIMUM DIAMETER (mm)	WORKING HEIGHT OF BALL (mm)	BALL EXPOSURE ABOVE OUTER RING (mm)	BODY DIAMETER (mm)	FLANGE THICKNESS (mm)	OVERALL HEIGHT (mm)
8002216	$\varnothing 22.2$	0.18	$\varnothing 45.0$	9.8 +/- 0.2	3.8	$\varnothing 36.0$ +/- 0.08	3.0	30.5

MAXIMUM DYNAMIC LOADING – BALL UP

Type 16 Carbon Steel Body and stainless steel bearings 180kgs

MATERIALS

Body - Carbon steel with zinc plated finish

Balls - Stainless steel AISI420C with hardness of 52 - 58HRC and self colour finish

Seal - Woollen felt seal

KEY FEATURES

Single dirt exit hole

Low profile

Strong solid steel CNC precision machined body construction

Maximum operating temperature 70°C continuous, 100°C intermittent