

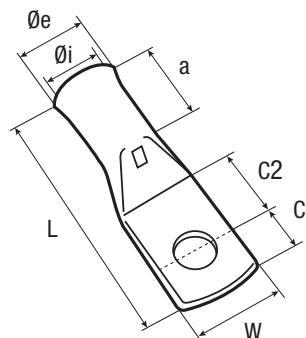
Copper Tubular Lugs from 95 to 630 mm²



General features

- ✓ Electrolytic tin-plating process.
- ✓ Other plating on request.
- ✓ Bell entry from 10 mm².
- ✓ Straight entry on request. remove "T" from part number.

Other holes on request.



mm ²	Item code	Part No.		Ø mm	W	Ø i	Ø e	C1	C2	a	L	
95	7406756	95-8CT	25	8	24	13.1	17	13.5	15.5	27.5	67.5	..HCU95
	7406766	95-10CT	25	10	24	13.1	17	13.5	15.5	27.5	67.5	
	7406776	95-12CT	25	12	24	13.1	17	13.5	15.5	27.5	67.5	
	7406786	95-14CT	25	14	24	13.1	17	13.5	15.5	27.5	67.5	
	7406796	95-16CT	25	16	24	13.1	17	13.5	15.5	27.5	67.5	
120	7406846	120-10CT	25	10	28	14.5	19	13	17	32.5	75.5	..HCU120
	7406856	120-12CT	25	12	28	14.5	19	13	17	32.5	75.5	
	7406866	120-14CT	25	14	28	14.5	19	13	17	32.5	75.5	
	7406876	120-16CT	25	16	28	14.5	19	13	17	32.5	75.5	
150	7406946	150-12CT	10	12	30	16.2	21	15	15	31.5	74.5	..HCU150
	7406956	150-14CT	10	14	30	16.2	21	17	17	31.5	78.5	
	7406966	150-16CT	10	16	30	16.2	21	17	17	31.5	78.5	
185	7407016	185-12CT	10	12	33	18	23	15	15	35.5	81.5	..HCU185
	7407026	185-14CT	10	14	33	18	23	17	17	35.5	85.5	
	7407036	185-16CT	10	16	33	18	23	17	17	35.5	85.5	
240	7407096	240-12CT	10	12	37	20.6	26	17	17	39.5	89.5	..HCU240
	7407106	240-14CT	10	14	37	20.6	26	19	19	39.5	93.5	
	7407116	240-16CT	10	16	37	20.6	26	19	19	39.5	93.5	
	7407126	240-20CT	10	20	37	20.6	26	20	20	39.5	95.5	
300	7407176	300-14CT	10	14	41	23	28	19	19	41	95.5	..HCU300
	7407186	300-16CT	10	16	41	23	28	19	19	41	95.5	
	7407196	300-18CT	10	18	41	23	28	20	20	41	97.5	
	7407206	300-20CT	10	20	41	23	28	20	20	41	97.5	
400	7407246	400-16CT	10	16	47	26	32	20	25	43	110.5	..HCU400
	7407256	400-18CT	10	18	47	26	32	20	25	43	110.5	
	7407266	400-20CT	10	20	47	26	32	20	25	43	110.5	
500	7407306	500-16CT	10	16	56	29.2	39.5	21	30	53	127	..HCU500
	7407316	500-18CT	10	18	56	29.2	39.5	21	30	53	127	
	7407326	500-20CT	10	20	56	29.2	39.5	21	30	53	127	
	7407336	500-22CT	10	22	56	29.2	39.5	21	30	53	127	
630	7407376	630-16CT	10	16	61	33.5	42	27	34	60	149	..HCU630
	7407396	630-18CT	10	18	61	33.5	42	27	34	60	149	



Conductor size (mm²)



Packing



Stud size



Type of dies

Unless otherwise stated, all dimensions are in millimeters.