



Metacone Mounting



Metacone Mounting

The metacone product range is designed for high load capacity with relatively large static deflections. The high loading for a given size is achieved by utilizing the rubber to best advantage in shear and compression. Typically the mountings are assembled with overload and rebound washers to control and limit movement of the suspended equipment under shock loads. Centre fixing bolts should be torque tightened to the recommended values.

Their compact fail-safe design is available for a wide range of loadings, with in some cases, alternative fixings.

Cut-outs in rubber sections on various sizes provide different vertical/horizontal stiffness ratio.

Applications include:

- Off-highway and road vehicle engines
- Vehicle cabs
- Oil tanks/ tankers
- Mobile applications

About Trelleborg Industrial AVS

Over 100 years of experience as Metalastik and Novibra, today Trelleborg Industrial AVS make improvements people can physically feel. From smoother travel to quieter, more efficient machines, we make life feel better. With quality, testing and compliance built in, we're in it for the long haul, ensuring your solution still works, over an extended and often arduous life-cycle.

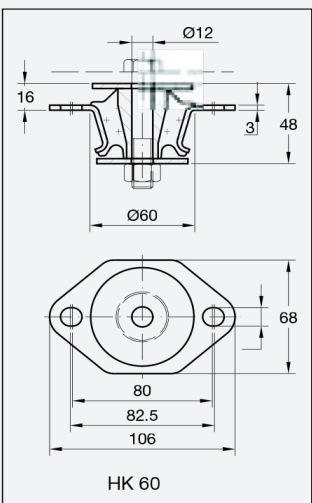
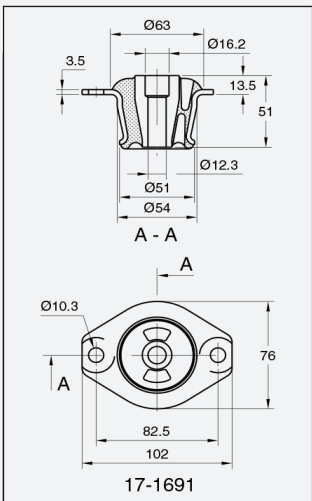
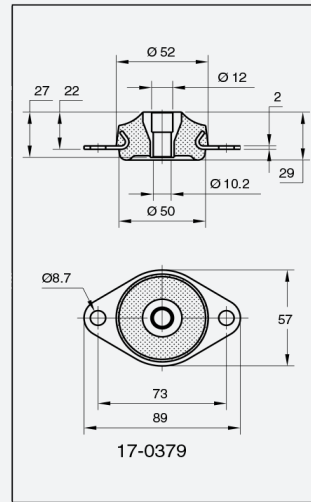
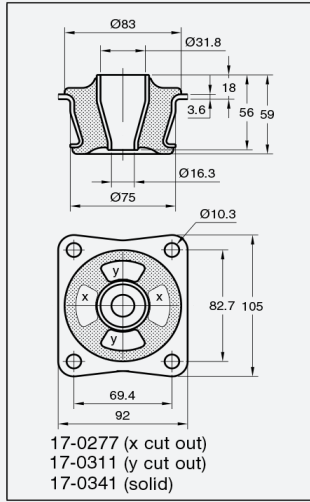
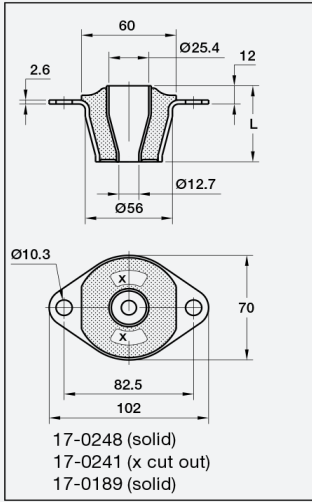
With three state-of-the-art manufacturing plants across the globe, our experience in rubber to metal bonding enhances several industries, including off-highway vehicles, rail and mass transit, marine and energy and general industry.

We offer an end-to-end service, to take you from concept through design, manufacturing and testing to delivery. This reduces the complexity of supply, helping you cut costs, mitigate risk and receive on time, on budget delivery.

Trelleborg IAVS is part of Trelleborg Group, which employs 15,000 people in over 40 countries. Whatever your challenge, whatever your role and wherever you are, we are nearby to offer expert knowledge and quality solutions.

Metacone Mounting

Technical Drawing

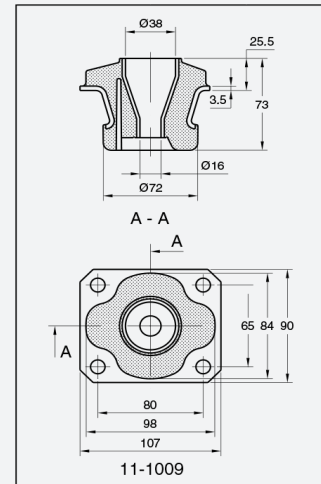
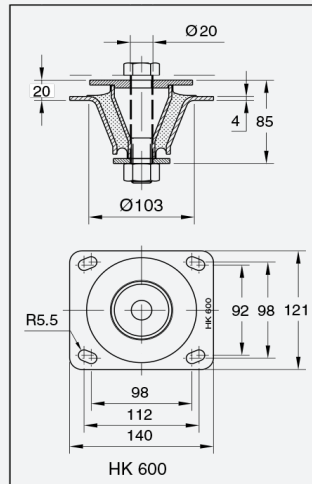
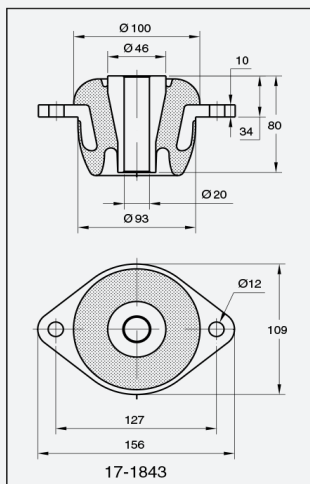
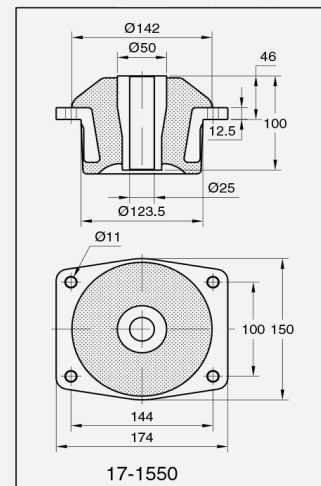
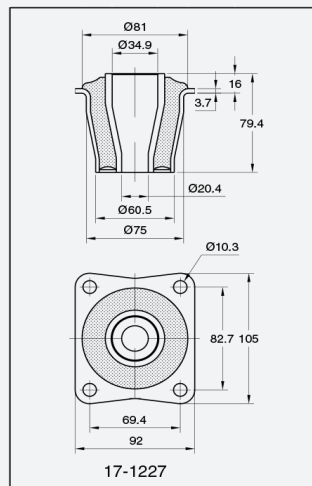
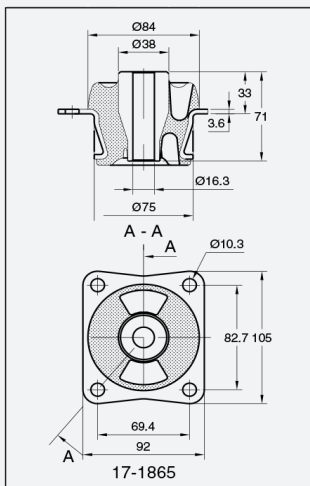
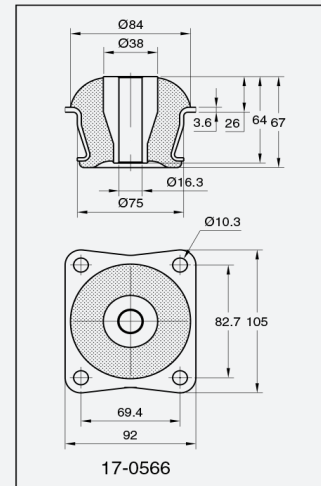
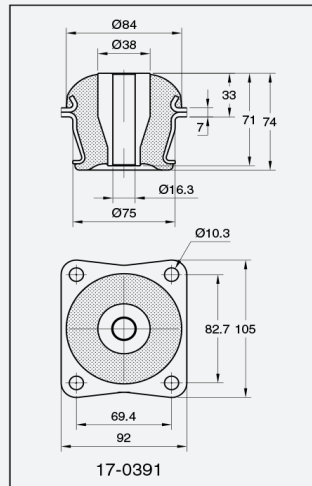
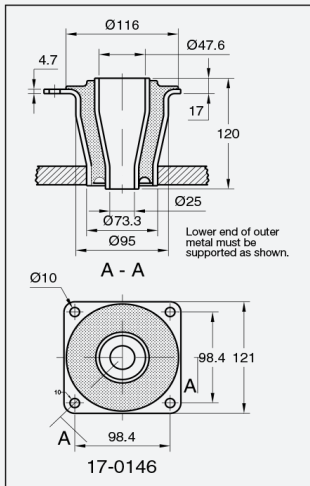


Product Data

TYPE	PART NO	MAX VERT LOAD (KG)	WEIGHT (KG)
17-0189-45	10-00365-01	145	0.28
17-0189-70	10-00367-01	400	0.28
17-0241-45	10-00374-01	62	0.18
17-0241-60	10-00375-01	122	0.18
17-0248-45	10-00379-01	95	0.19
17-0248-60	10-00380-01	190	0.19
17-0277-45	10-00385-01	125	0.56
17-0277-60	10-00387-01	230	0.56
17-0379-45	10-00402-01	35	0.12
17-0379-60	10-00404-01	70	0.12
17-0341-45	10-00394-01	160	0.54
17-0341-60	10-00395-01	300	0.54
17-0341-70	10-00396-01	430	0.54
17-0311-45	10-00391-01	125	0.58
17-0311-60	10-00392-01	220	0.58
17-1691-45	10-00566-01	72	0.44
17-1691-60	10-00567-01	144	0.44
HK 60-40	10-01119-01	90	0.24
HK 60-50	10-01122-01	115	0.24
HK 60-60	10-01120-01	180	0.24
HK 60-70	10-01121-01	250	0.24

Metacone Mounting

Technical Drawing





TYPE	PART NO	MAX VERT LOAD (KG)	WEIGHT (KG)
17-1009-45	10-00192-01	140	0.59
11-1009-55	10-00193-01	200	0.59
17-0391-45	10-00411-01	290	1.1
17-0391-60	10-00414-01	500	1.1
17-0391-70	10-00415-01	610	1.1
17-0566-45	10-00433-01	200	0.82
17-0566-60	10-00434-01	380	0.82
17-0566-70	10-00435-01	525	0.82
17-1227-45	10-00459-01	560	1.1
17-1227-60	10-00460-01	1000	1.1
17-1550-45	10-00524-01	720	4.4
17-1550-60	10-00526-01	1250	4.4
17-1843-45	10-00609-01	320	1.7
17-1843-60	10-00610-01	600	1.7
17-1865-55	10-00615-01	180	0.86
17-0146-45	10-00360-01	950	2
17-0146-60	10-00361-01	1700	2
HK 600-40	10-00190-01	940	1.0
HK 600-60	10-00191-01	1700	1.0

CONE MOUNT	TOP WASHER PART NO.	BOTTOM WASHER PART NO.
17-0189	20-00529-01	10-03666-01
17-0241	20-00529-01	10-03666-01
17-0248	20-00529-01	10-03666-01
17-0277	20-00773-01	20-00532-01
17-0379	20-00531-01	20-00531-01
17-0341	20-00773-01	20-00532-01
17-0311	20-00773-01	20-00532-01
17-1691	20-00535-01	20-00536-01
HK 60	20-01103-01	20-00416-01

CONE MOUNT	TOP WASHER PART NO.	BOTTOM WASHER PART NO.
11-1009	20-00532-01	20-00532-01
17-0391	20-00532-01	20-00532-01
17-0566	20-00532-01	20-00532-01
17-1227	20-00528-01	10-03707-01
17-1550	20-00534-01	20-00534-01
17-1843	20-00533-01	20-00533-01
17-1865	20-00532-01	20-00532-01
17-0146	20-00527-01	20-00525-01
HK 600	20-00643-01	20-00644-01



WWW.TRELLEBORG.COM/ANTI-VIBRATION-SOLUTIONS

For further information visit our website or e-mail industrialavs@trelleborg.com

The content in this datasheet was correct at the time of printing, but is subject to change without notice.