

NOTES:

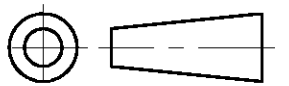
- 1 THIS AREA IS RESERVED FOR CONTACTS
- 2 DIRECTION OF KINK OPTIONAL.
- 3 PRODUCT SPECIFICATION: 108-19052

DO NOT SCALE

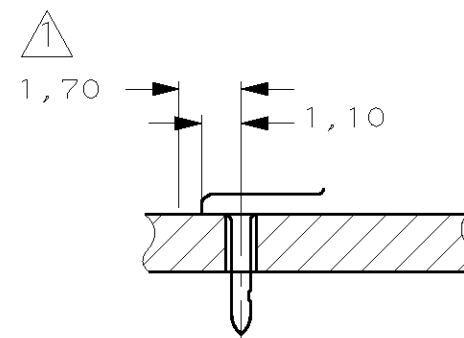
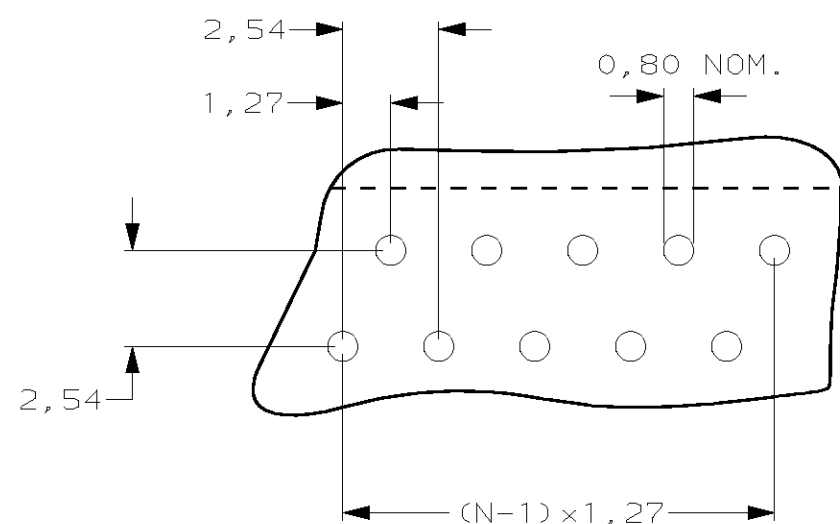
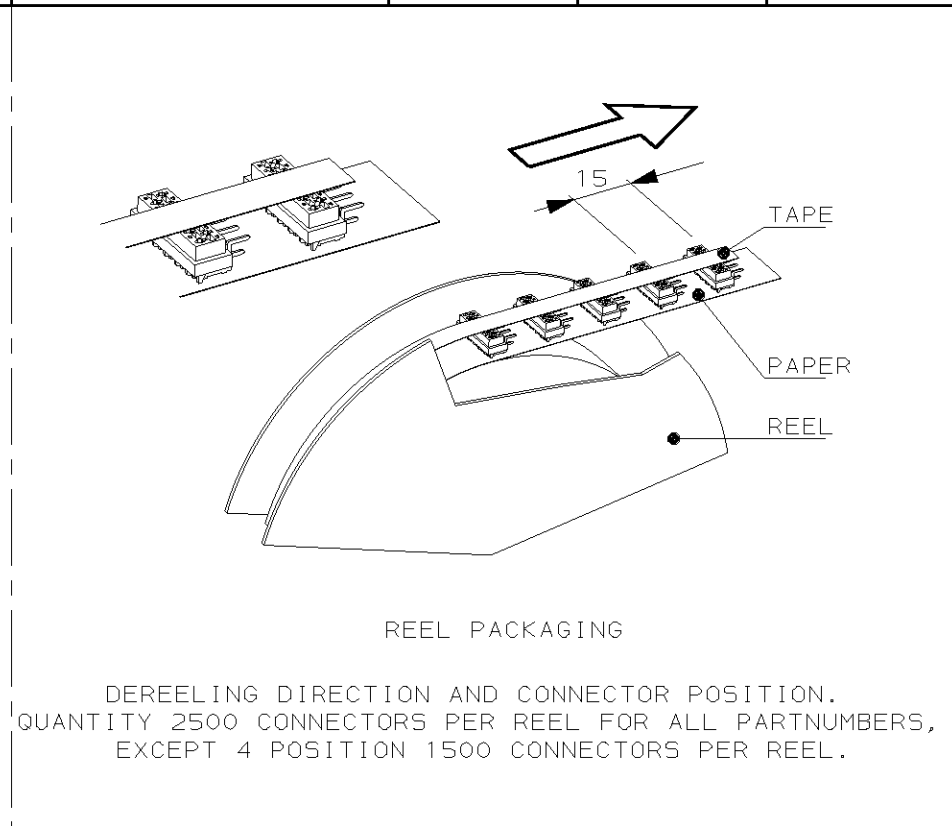
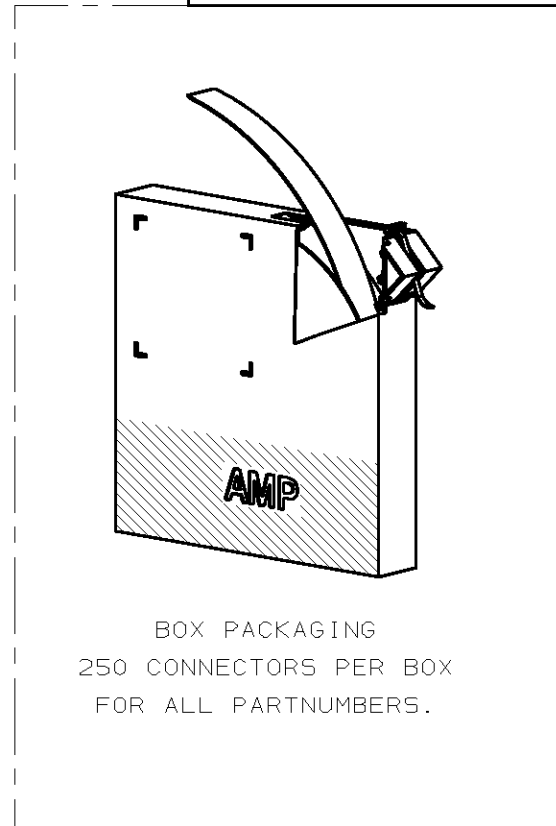
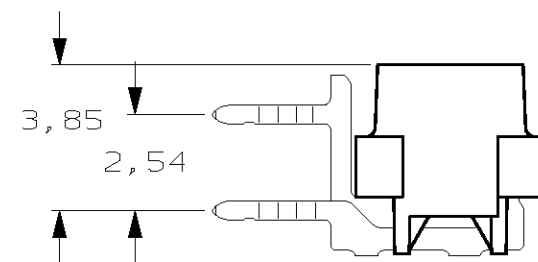
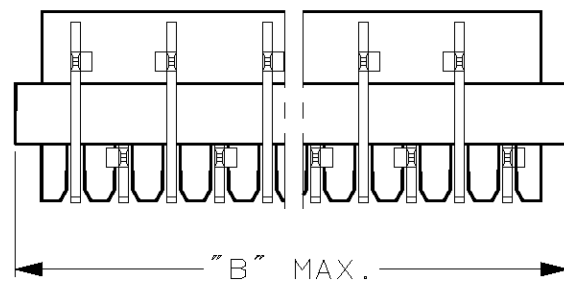
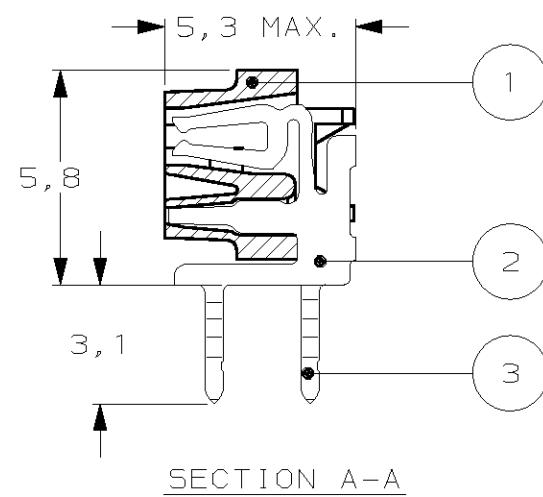
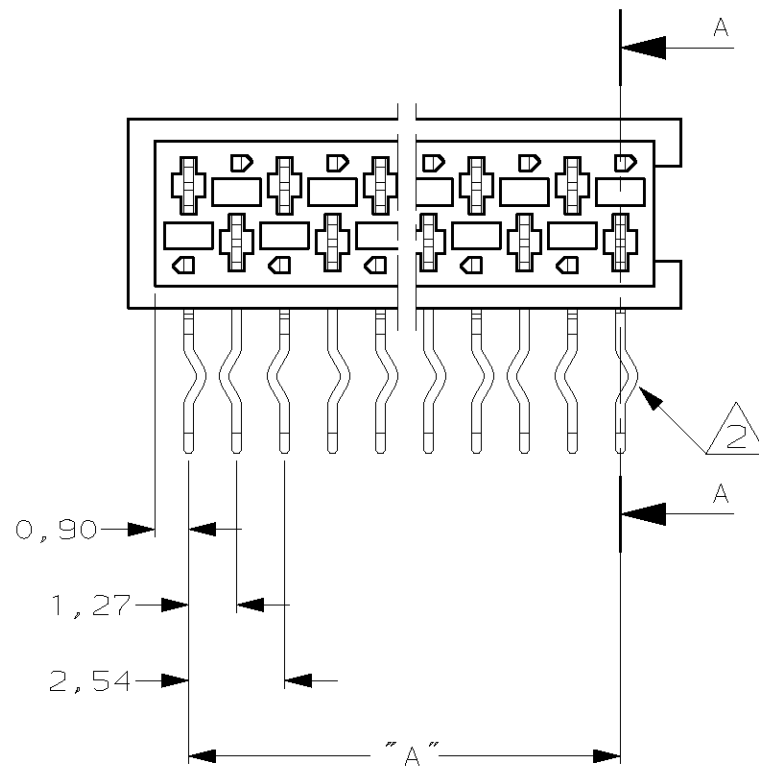
DIMENSIONS IN mm

METRIC

THIRD ANGLE
PROJECTION



PARTNUMBERS BOX PACKAGING	PARTNUMBERS REEL PACKAGING	NUMBER OF POSITIONS	"A"	"B"
7-215460-4	0-215460-4	4	3,81	7,1
7-215460-6	0-215460-6	6	6,35	9,7
7-215460-8	0-215460-8	8	8,89	12,2
8-215460-0	1-215460-0	10	11,43	14,7
8-215460-2	1-215460-2	12	13,97	17,3
8-215460-4	1-215460-4	14	16,51	19,8
8-215460-6	1-215460-6	16	19,05	22,4
8-215460-8	1-215460-8	18	21,59	24,9
9-215460-0	2-215460-0	20	24,13	27,4



RECOMMENDED PCB-HOLE LAY-OUT
NOT SOLDER SIDE SHOWN

TIN OVER NICKEL PLATING.	PHOSPHORBRONZE	FEMALE CONTACT	3
TIN OVER NICKEL PLATING.	PHOSPHORBRONZE	FEMALE CONTACT	2
	GLASS FILLED POLYESTER (RED)	HOUSING	1
FINISH	MATERIAL	DESCRIPTION	ITEM

CUSTOMER DRAWING					FOR REFERENCE ONLY WILL NOT BE UPDATED				
© COPYRIGHT 19- BY AMP-HOLLAND B.V.					ALL INTERNATIONAL RIGHTS RESERVED. AMP PRODUCTS MAY BE COVERED BY U.S. AND FOREIGN AND/OR PATENTS PENDING.				
THIS DRAWING IS UNPUBLISHED					RELEASED FOR PUBLICATION , 19				
AMP					AMP-HOLLAND B.V. 's-Hertogenbosch, The Netherlands.				
NAME					Micro-MaTch FEMALE ON BOARD				
L.T.R.					SIDE ENTRY POLARIZED				

DR.: P. V. TONGEREN	CHK.: H. KOKKEN	APP.: L.v.50EST	DWG.No.	REV.LTR.	SHEET
DATE: 11-03-92	DATE: 11-03-92	DATE: -	215460	U	1 OF 1