

3/2-way valves DN 1.6 and DN 3.0

Pilot valve for pressure actuated valve by external fluid

Indirectly solenoid actuated

Seat valves

Connection P female thread G 1/4; Connection A male thread G 1/4

Operating pressure 1 to 10 bar

84660

84670

84680

84690

Description (standard valve)

Solenoid valve for filtered, lubricated resp. non-lubricated air or neutral liquid fluids

| | |
|----------------------|---|
| Switching function: | normally closed |
| Flow direction: | determined |
| Fluid temperature: | -10 °C to max. +60 °C |
| Ambient temperature: | -10 °C to max. +60 °C |
| Mounting position: | optional, preferably solenoid vertical on top |

Material

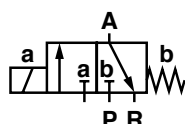
| | |
|-----------------|----------------------|
| Body: | Brass (CW617N) |
| Seat seal: | TPU |
| Internal parts: | Stainless steel, PPS |



Features

- Compact design
- Complete with connector and gasket
- Interchangeable solenoid system
- Noiseless exhaust
- Low power consumption

Symbol



Ordering information

To order, quote model number from table overleaf, e.g. 8468000.9101 for a DN 3.0 valve.

Characteristic data

Valves

| Part Number Solenoid with --- or ~ | Nominal Diameter (mm) | Connection size | | | Operating pressure | | Switching time ** (ms) | | Flow *** (Basis l/min) | Weight (kg) |
|---------------------------------------|--------------------------|------------------|--------|------------------|--------------------|------------|------------------------|------|---------------------------|----------------|
| | | Internal | R | External A | min. | max. (bar) | On | Off | | |
| 8466000.9101 8467000.9101 | 1.6 | G 1/4 1/4 NPT | * * | G 1/4 1/4 NPT | 1 | 10 | 8.5 | 30.4 | 1.2 | 0.47 |
| 8468000.9151 8469000.9151 | 3.0 | G 1/4 1/4 NPT | * * | G 1/4 1/4 NPT | 1 | 10 | 15.0 | 81.9 | 3.3 | 0.45 |

* Noiseless exhaust

State voltage [V] and frequency [Hz]

** At 6 bar acc. to DIN VDI 3290 with DC solenoid

*** Cv-value (US) ≈ kv-value x 1.2

Solenoid 9101 / 9151

Standard voltages

| DC --- | AC ~ 50 Hz | 60 Hz |
|--------|---------------|-------|
| 24 V | 24 V | – |
| – | 110 V | 120 V |
| – | 230 V | 220 V |

Design acc. to DIN VDE 0580

Voltage range ±10 %

100 % duty cycle


Protection class acc. to EN 60529 IP65

Socket Form A acc. to DIN EN 175301-803 (included)

Power Consumption

According to DIN VDE 0580 at coil temperature of +20 °C. In operation the power consumption of the solenoid decreases by approx. 30 %.

| Solenoid | DC --- | AC ~ | |
|----------|--------|--------|--------------|
| | | Inrush | Holding |
| 9101 * | 8 W | 15 VA | 12 VA / 7 W |
| 9151 * | 18 W | 45 VA | 35 VA / 17 W |

*  coil only maintaining the ambient temperature of +50 °C

Attention!

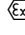
The conditions imposed on the Ex approvals lead to reduction of the permissible standard temperature ranges in the cases of explosion protected solenoids.

Further Options (Valves)

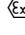
XXXX02.XXXX Manual override

XXXX53.XXXX connection P femal thread G 1/8
connection A male thread G 1/8

Further Options (Solenoids for Series 84660)

XXXXXX.9136 Solenoid in protection class
 II 2 GD EEx m II T4 T 130 °C,
with 3 m connection cable

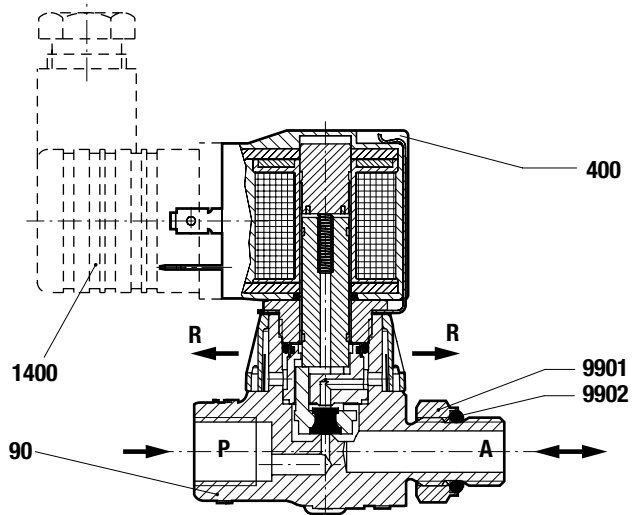
Further Options (Solenoids for Series 84680)

XXXXXX.9191 Solenoid in protection class
 II 2 GD EEx me II T3 T 140 °C

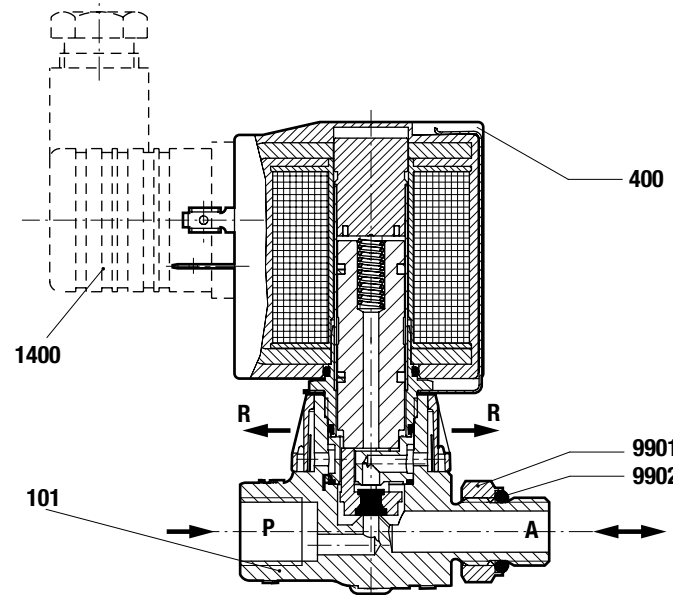
On request Further versions

Section view

Solenoid 9101



Solenoid 9151



- 90 3/2 way valve without solenoid
incl. pos. 9901 special hexagon nut
and pos. 9902 O-Ring
- 400 Solenoid
- 1400 Socket (included)
- 9901 Special hexagon nut
- 9902 O-Ring

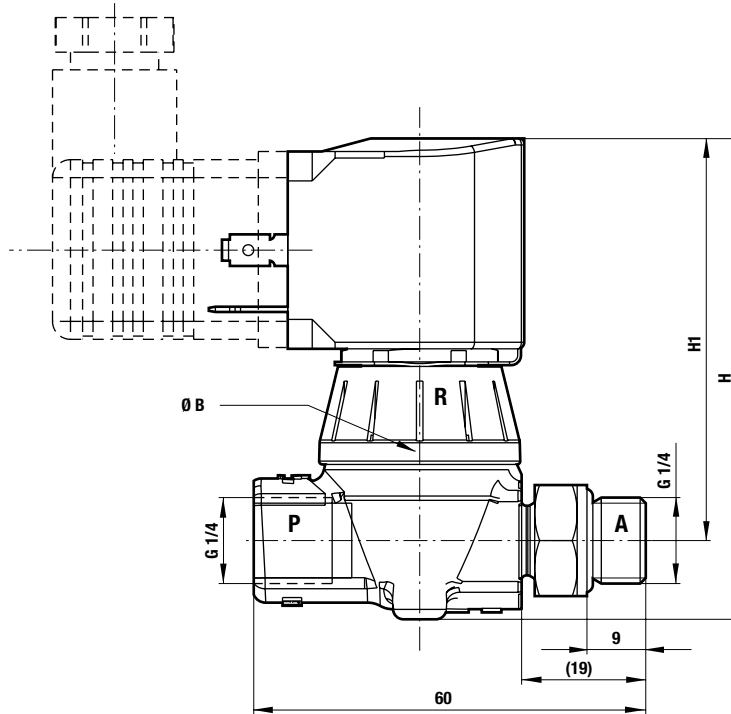
When ordering spare parts please state Cat.-No. and series No.

General Dimensions

Solenoid may be rotatable 360°

Socket turnable 4 x 90°

(Socket included)



with solenoid 9101

H = 73.6

H1 = 61.5

Ø B = 31

with solenoid 9151

H = 91.0

H1 = 79.0

Ø B = 31

Note to Pressure Equipment Directive (PED):

The valves of this series are according to Art. 3 § 3 of the Pressure Equipment Directive (PED) 97/23/EG.

This means interpretation and production are in accordance to engineers practice wellknown in the member countries.

The CE-sign at the valve does not refer to the PED. Thus the declaration of conformity is not longer applicable for this directive.

Note to Electromagnetic Compatibility Guideline (EEC):

The valves shall be provided with an electrical circuit which ensures the limits of the harmonised standards EN 61000-6-3 and EN 61000-6-1 are observed, and hence the requirements of the Electromagnetic Guideline (2004/108/EC) satisfied.