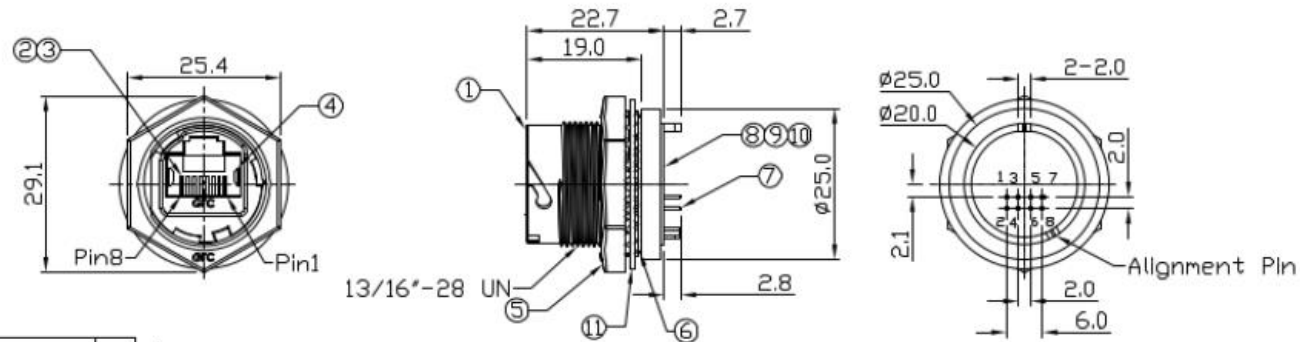




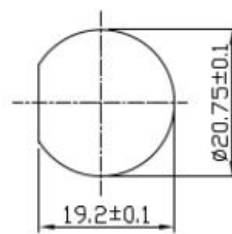
Notes: (Unless Otherwise Specified)

1. Waterproof Rate: IP68.
2. Recommend Panel Thickness: 0.8 to 8.0 mm.
3. Recommend Torque: 19~20 Kgf-cm.
4. Mating Cap P/N: 125-7926
5. RoHS Compliant.

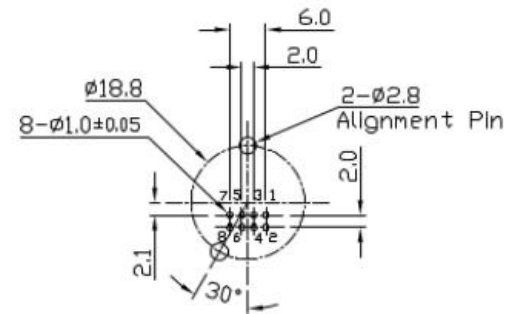
REV	ECN#	DESCRIPTION OF REVISION	DRAW BY DATE	CHECK BY DATE	APPROVE BY DATE
A0		Mass Production	Vicky 05/31/11	Lucas 05/31/11	Roy 05/31/11
A1	ECN-110907	Modify Torque , Marked ⚠	Joyce 09/16/11	Lucas 09/16/11	Roy 09/16/11
A2	ECN-111202	Add C3 Metal Washer , Marked ⚠	Joyce 12/13/11	Lucas 12/13/11	Roy 12/13/11



11	Washer	Stainless Finish —	1	⚠
10	Gue	Epoxy Color Black	1	
9	PCB	FR-4 Color -	1	
8	Holder	Threnoplastic Color Black	1	
7	Pin Header	Housing Threnoplastic Color Black Contacts Copper Alloy Finish Au Plated	1	
6	D-Ring	Silicone Color Red	1	
5	Hex Nut	Zn Alloy Finish Ni Plated	1	
4	ENI Shielded Plate	Copper Alloy Finish Ni Plated	2	
3	Holder	Threnoplastic Color Black	1	
2	RJ45 Receptacle	Housing Threnoplastic Color Grey Contacts Copper Alloy Finish Au Plated	1	
1	Housing	Zn Alloy Finish Ni Plated	1	
Item	Part Name	Material / Finish	Qty	



Recommend
Panel Cut-Out



Recommend PCB Layout

Mating Parts:
111-6741
111-6742
111-6743

TITLE						RS Stock No	
RJ45 Metal C3 Shielded Panel Jack Dip Lock						111-6739	
DO NOT SCALE DRAWINGS	B	1:1	Karen 09/24/08	Roy 09/24/08	Roy 09/24/08	XX ± 0.5 XXX ± 0.2	X.XXX ± 0.05 ANGLES ± 1°
THIRD ANGLE PROJECTION	SIZE	SCALE	DRAW / DATE	CHECK / DATE	APPROVE / DATE	TOLERANCES	UNIT SHEET
	1						