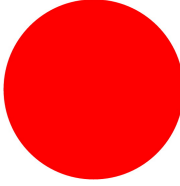






## Mushroom actuator, red, without button plate, momentary

**Part no.** M22-DP-R-X  
**Article no.** 216731  
**Catalog No.** M22-DP-R-XQ

### Delivery programme

|   |   |  |  |
|---|---|--|--|
| Product range   |   |  | RMQ-Titan (drilling dimensions 22.5 mm)  |
| Basic function  |   |  | Mushroom-headed pushbutton   |
| Single unit/Complete unit   |   |  | Single unit  |
| Design  |   |  | Mushroom<br>momentary  |
| <b>Colour</b>   |   |  |  |
| Mushroom  |   |  | red  |
| Mushroom colour   |   |  |  |
| <b>Button plate</b>   |   |  |  |
|   |   |  | Without button plate   |
| Degree of Protection  |   |  | IP67, IP69K  |
| Front ring  |   |  | Bezel: titanium  |
| Connection to SmartWire-DT  |   |  | Yes, with SWD-RMQ connections  |
| <b>Actuator travel and actuation force as per DIN EN 60947-5-1, K.5.4.1</b> |   |  |  |
| Minimum force for positive opening  | N |  | 0  |
| Front dimensions  |   |  | 22 x 22  |
| Function  |   |  | momentary  |

### Technical data

|                             |              |                   |  |
|-----------------------------|--------------|-------------------|--|
| <b>General</b>              |              |                   |  |
| Standards                   |              |                   | IEC/EN 60947<br>VDE 0660   |
| Lifespan, mechanical        | Operations   | x 10 <sup>6</sup> | > 5  |
| Operating frequency         | Operations/h |                   |  3600 |
| Actuating force             |              | n                 |  5    |
| Climatic proofing           |              |                   | Damp heat, constant, to IEC 60068-2-78<br>Damp heat, cyclic, to IEC 60068-2-30           |
| Ambient temperature         |              |                   |  |
| Open                        |              | °C                | -25 - +70  |
| Storage                     |              | °C                | - 40 - + 80  |
| Mounting position           |              |                   | As required  |
| Mechanical shock resistance |              | g                 | 30<br>Shock duration 11 ms<br>Sinusoidal<br>according to IEC 60068-2-27                  |

### Design verification as per IEC/EN 61439

|  |                   |    |     |
|--|-------------------|----|-----|
| Technical data for design verification                   |                   |    |     |
| Rated operational current for specified heat dissipation | I <sub>n</sub>    | A  | 0   |
| Heat dissipation per pole, current-dependent             | P <sub>vid</sub>  | W  | 0   |
| Equipment heat dissipation, current-dependent            | P <sub>vid</sub>  | W  | 0   |
| Static heat dissipation, non-current-dependent           | P <sub>vs</sub>   | W  | 0   |
| Heat dissipation capacity                                | P <sub>diss</sub> | W  | 0   |
| Operating ambient temperature min.                       |                   | °C | -25 |

|  |    |  |
|--|----|--|
| Operating ambient temperature max.   | °C | 70   |
| IEC/EN 61439 design verification   |    |  |
| 10.2 Strength of materials and parts   |    |  |
| 10.2.2 Corrosion resistance  |    | Meets the product standard's requirements.   |
| 10.2.3.1 Verification of thermal stability of enclosures   |    | Meets the product standard's requirements.   |
| 10.2.3.2 Verification of resistance of insulating materials to normal heat   |    | Meets the product standard's requirements.   |
| 10.2.3.3 Verification of resistance of insulating materials to abnormal heat and fire due to internal electric effects |    | Meets the product standard's requirements.   |
| 10.2.4 Resistance to ultra-violet (UV) radiation   |    | Please enquire   |
| 10.2.5 Lifting   |    | Does not apply, since the entire switchgear needs to be evaluated.                                       |
| 10.2.6 Mechanical impact   |    | Does not apply, since the entire switchgear needs to be evaluated.                                       |
| 10.2.7 Inscriptions  |    | Meets the product standard's requirements.   |
| 10.3 Degree of protection of ASSEMBLIES  |    | Does not apply, since the entire switchgear needs to be evaluated.                                       |
| 10.4 Clearances and creepage distances   |    | Meets the product standard's requirements.   |
| 10.5 Protection against electric shock   |    | Does not apply, since the entire switchgear needs to be evaluated.                                       |
| 10.6 Incorporation of switching devices and components   |    | Does not apply, since the entire switchgear needs to be evaluated.                                       |
| 10.7 Internal electrical circuits and connections  |    | Is the panel builder's responsibility.   |
| 10.8 Connections for external conductors   |    | Is the panel builder's responsibility.   |
| 10.9 Insulation properties   |    |  |
| 10.9.2 Power-frequency electric strength   |    | Is the panel builder's responsibility.   |
| 10.9.3 Impulse withstand voltage   |    | Is the panel builder's responsibility.   |
| 10.9.4 Testing of enclosures made of insulating material   |    | Is the panel builder's responsibility.   |
| 10.10 Temperature rise   |    | Not applicable.  |
| 10.11 Short-circuit rating   |    | Is the panel builder's responsibility. The specifications for the switchgear must be observed.           |
| 10.12 Electromagnetic compatibility  |    | Is the panel builder's responsibility. The specifications for the switchgear must be observed.           |
| 10.13 Mechanical function  |    | The device meets the requirements, provided the information in the instruction leaflet (IL) is observed. |

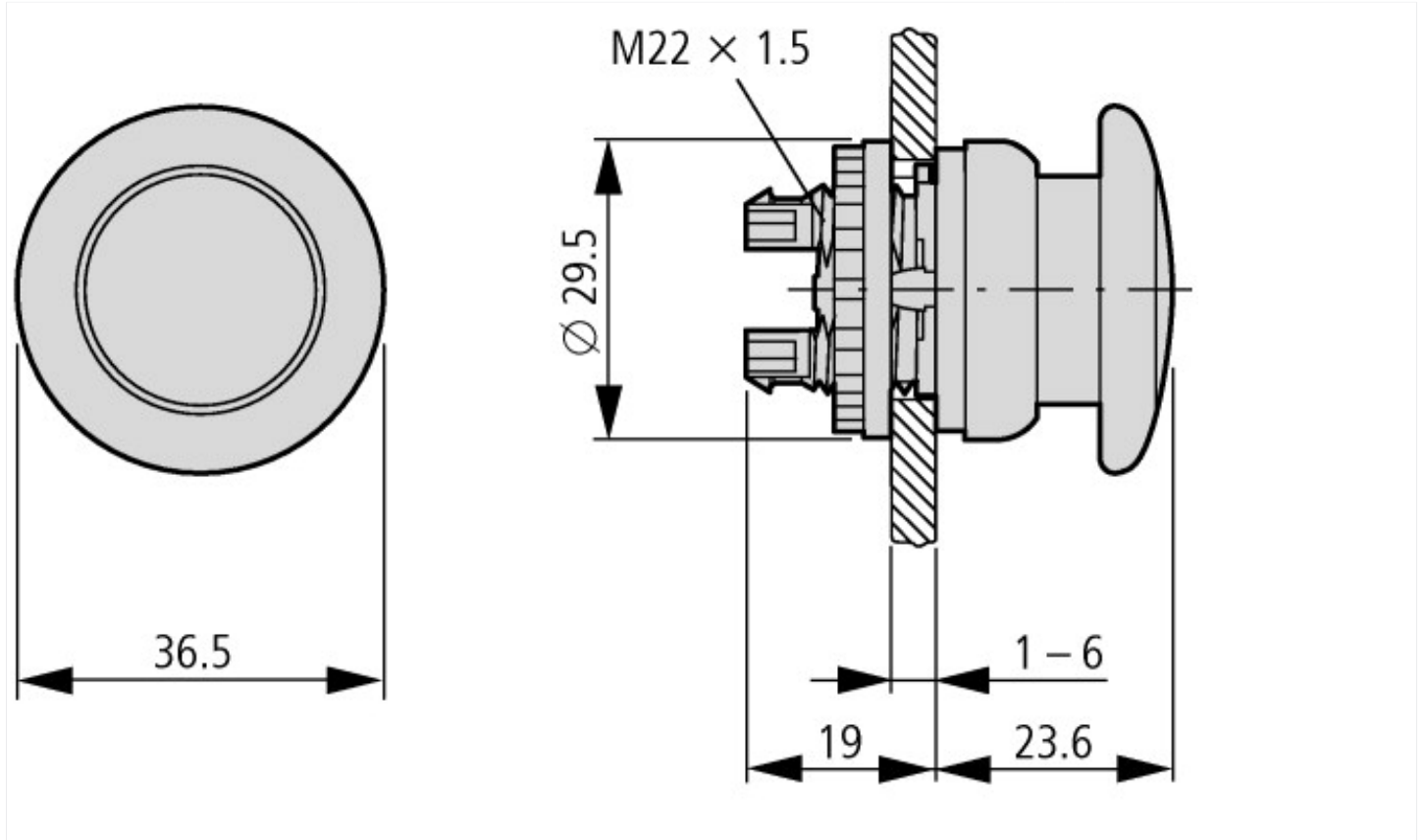
## Technical data ETIM 6.0

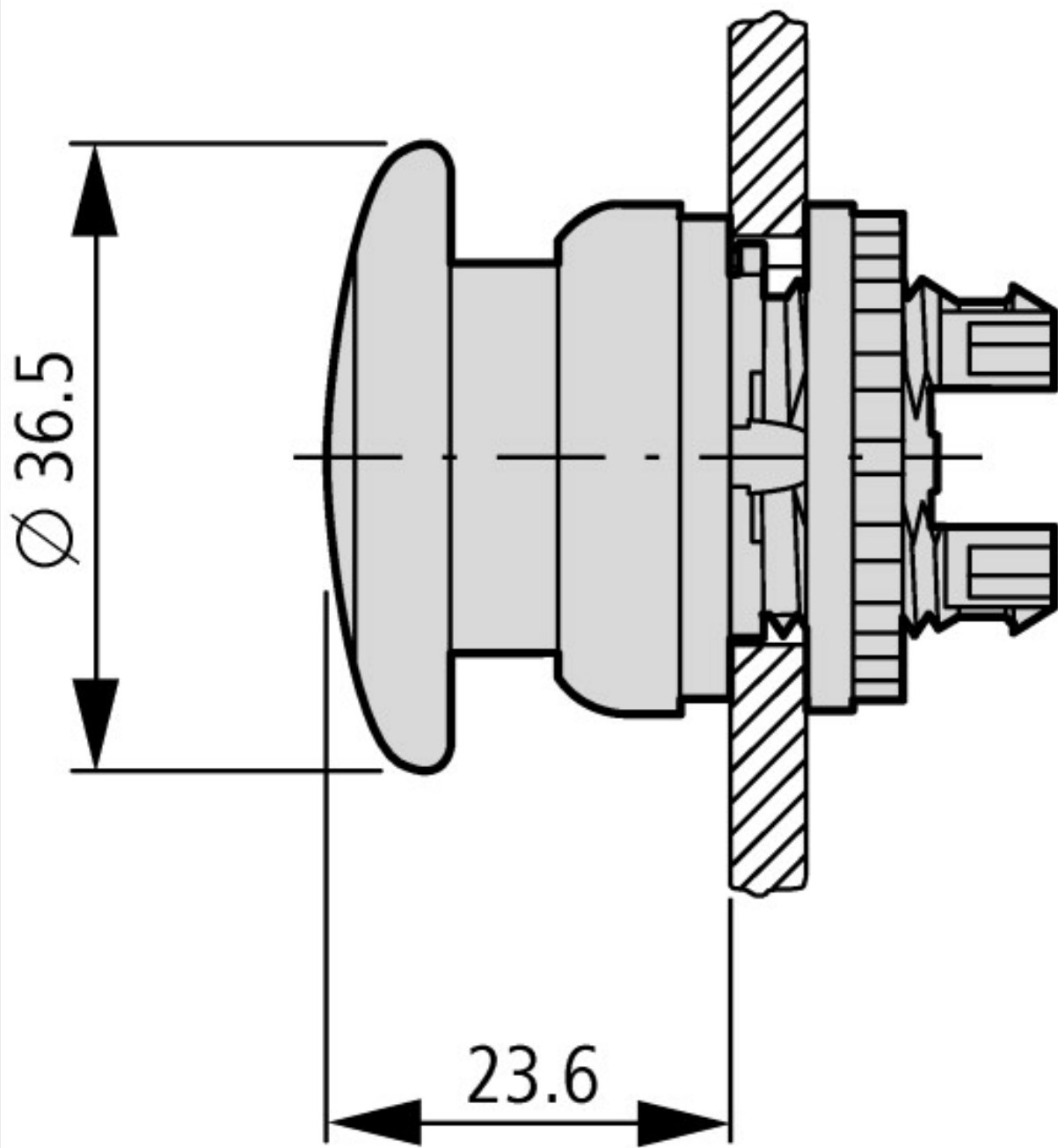
|   |    |         |
|---|----|---------|
| Low-voltage industrial components (EG000017) / Front element for mushroom push-button (EC001038)  |    |         |
| Electric engineering, automation, process control engineering / Low-voltage switch technology / Command and alarm device / Front element for mushroom push-button actuators (ecl@ss8.1-27-37-12-12 [AKF030011]) |    |         |
| Colour button   |    | Red     |
| Construction type lens  |    | Round   |
| Diameter cap  | mm | 36.5    |
| Hole diameter   | mm | 22      |
| Width opening   | mm | 22      |
| Height meter opening  | mm | 6       |
| Degree of protection (IP)   |    | IP67    |
| Type of button  |    | Flat    |
| Suitable for illumination   |    | No      |
| Switching function latching   |    | No      |
| Spring-return   |    | Yes     |
| With front ring   |    | Yes     |
| Material front ring   |    | Plastic |
| Colour front ring   |    | Chrome  |
| Suitable for emergency stop   |    | No      |
| Unlocking method  |    | None    |

## Approvals

|  |  |  |
|--|--|--|
|  |  | IEC/EN 60947-5; UL 508; CSA-C22.2 No. 14-05; CSA-C22.2 No. 94-91; CE marking |
|  |  | E29184   |
|  |  | NKCR   |
|  |  | 012528   |
|  |  | 3211-03  |

## Dimensions





### Additional product information (links)

IL04716002Z (AWA1160-1745) RMQ-Titan System

IL04716002Z (AWA1160-1745) RMQ-Titan System

[ftp://ftp.moeller.net/DOCUMENTATION/AWA\\_INSTRUCTIONS/IL04716002Z2015\\_02.pdf](ftp://ftp.moeller.net/DOCUMENTATION/AWA_INSTRUCTIONS/IL04716002Z2015_02.pdf)