

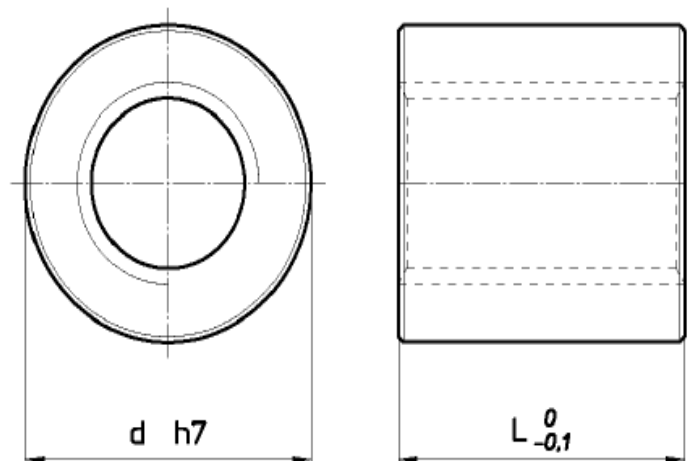
Datasheet

RS Trapezoidal Nut Type HBD - Cylindrical Bronze

Material EN 1982 Cu Sn7 Zn4 Pb7-C - CC493K



chamfer 1x45°



Cylindrical bronze nut for movement with modest loads compared with FXN, HDL and HAL. Good lubrication is recommended.

| RS Number | Screw Type | Material | Screw | Diameter x lead | Thread starts | d mm | L mm | Wt. kg/each | At mm ² (1) |
|-----------|-------------|---|-------|-----------------|---------------|------|------|-------------|------------------------|
| 8625345 | Trapezoidal | Bronze EN 1982 Cu Sn7 Zn4 Pb7-C -CC493K | Right | Tr 10x2 | 1 | 22 | 20 | 0.058 | 200 |
| 8625354 | Trapezoidal | Bronze EN 1982 Cu Sn7 Zn4 Pb7-C -CC493K | Right | Tr 12x3 | 1 | 26 | 24 | 0.094 | 396 |
| 8625357 | Trapezoidal | Bronze EN 1982 Cu Sn7 Zn4 Pb7-C -CC493K | Right | Tr 14x3 | 1 | 30 | 28 | 0.146 | 526 |
| 8625351 | Trapezoidal | Bronze EN 1982 Cu Sn7 Zn4 Pb7-C -CC493K | Right | Tr 16x4 | 1 | 36 | 32 | 0.245 | 704 |
| 8625360 | Trapezoidal | Bronze EN 1982 Cu Sn7 Zn4 Pb7-C -CC493K | Right | Tr 18x4 | 1 | 40 | 36 | 0.337 | 905 |
| 8625363 | Trapezoidal | Bronze EN 1982 Cu Sn7 Zn4 Pb7-C -CC493K | Right | Tr 20x4 | 1 | 45 | 40 | 0.476 | 1130 |
| 8625367 | Trapezoidal | Bronze EN 1982 Cu Sn7 Zn4 Pb7-C -CC493K | Right | Tr 22x5 | 1 | 45 | 40 | 0.456 | 1225 |
| 8625376 | Trapezoidal | Bronze EN 1982 Cu Sn7 Zn4 Pb7-C -CC493K | Right | Tr 24x5 | 1 | 50 | 48 | 0.680 | 1620 |

(1) Total bearing surface between screw and nut teeth on plane perpendicular to axis.