

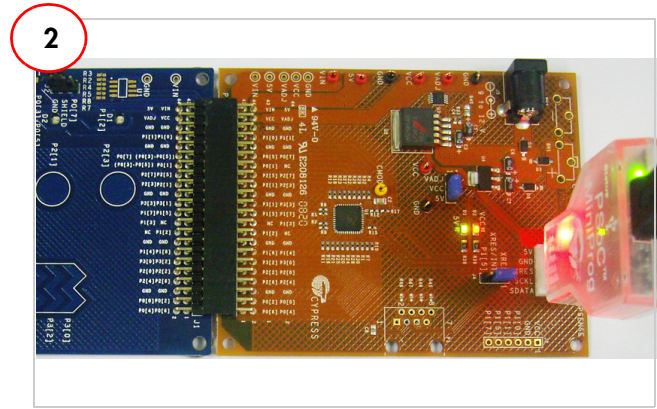
CY3280-BK1 UNIVERSAL CAPSENSE® CONTROLLER BASIC KIT 1

QUICK START GUIDE

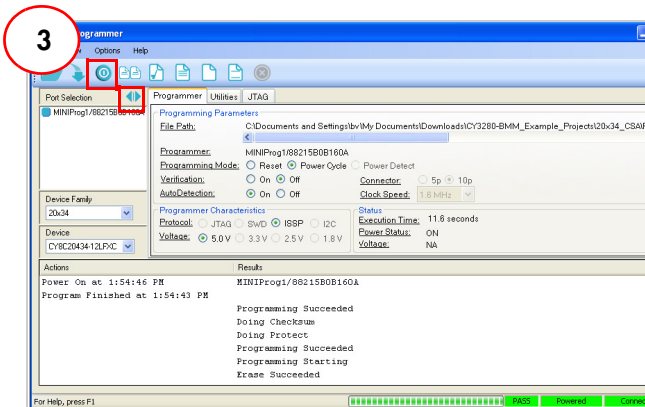


1. Insert the kit CD/DVD into the CD/DVD drive of your PC.
2. Install the kit contents, PSoC Designer, and PSoC Programmer, by clicking on the **Install CY3280-BK1...** button.

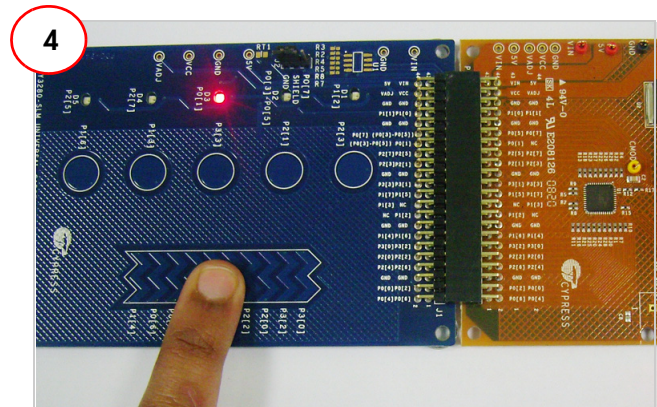
After installation, the kit contents are available at
 <Install_Directory>:\Cypress\CY3280-BK1\<version>



1. Connect the CY3280-SLM board to the CY3280-20x34 UCC board's P2 connector.
2. In the CY3280-20x34 board, ensure that the jumper is placed on header J1 to short pins 2 and 3 (Vcc and 5V).
3. In the CY3280-SLM board, ensure that the jumper is placed on header J2 to short pins 2 and 3 (Shield and Ground pins).



1. Connect the MiniProg1 to the CY3280-20x34 UCC board's ISSP connector (J3). Connect it to your PC using an USB A to mini-B cable.
2. Open PSoC Programmer.
3. Click **Connect**; connect MiniProg1 to your PC.
4. Click the **Toggle** button to power the board.



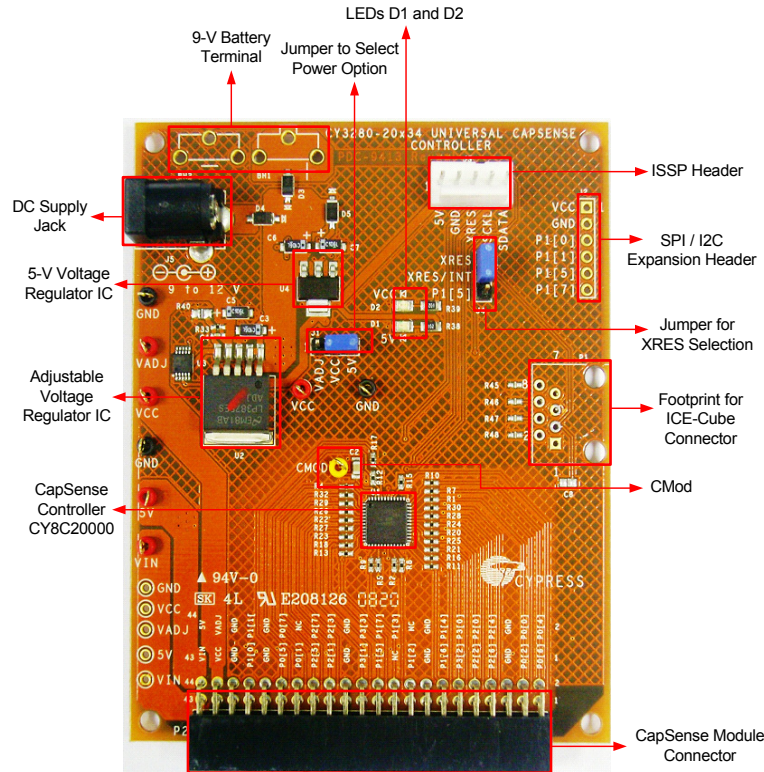
1. Touch and move your finger over the linear slider on the CY3280-SLM module board. The corresponding LEDs on the CY3280-SLM board light up.
2. Touch a button. The corresponding LED on the CY3280-SLM module board lights up.
3. You can touch multiple buttons simultaneously. The linear slider and buttons can be used at the same time.

Repeat steps 2, 3, and 4 to test the CY3280-21x34 CapSense Controller.

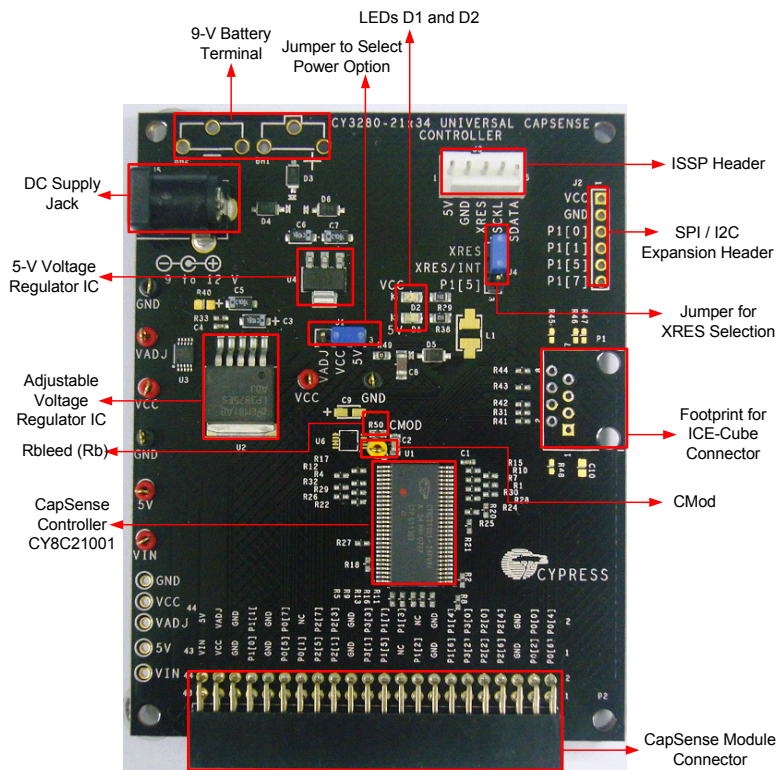
CY3280-BK1 UNIVERSAL CAPSENSE® CONTROLLER BASIC KIT 1

QUICK START GUIDE

CY3280-20x34 Board Details



CY3280-21x34 Board Details



For the latest information about this kit, visit <http://www.cypress.com/go/CY3280-BK1>

