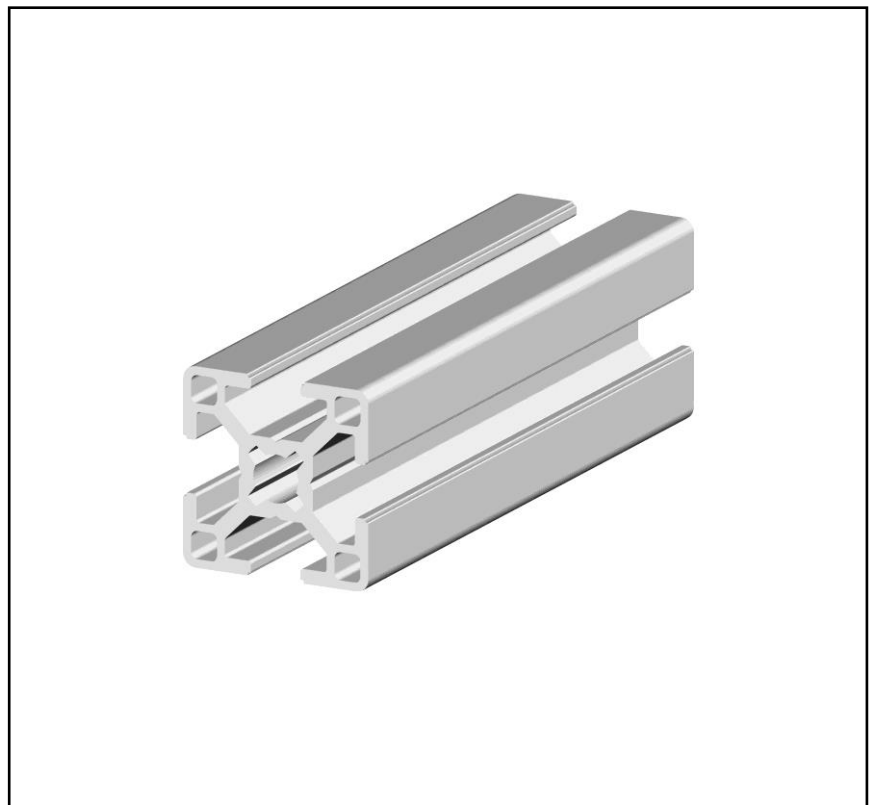


## Features

- Light-weight aluminium alloy
- Suitable for cut to length application
- Structural element type: Strut Profile
- Compatible with support and connector accessories

## RS PRO Strut Profile Type B, 30x30, 8 mm Groove, 2000 mm Length

RS Stock No.: 264-7863



RS Professionally Approved Products bring to you professional quality parts across all product categories. Our product range has been tested by engineers and provides a comparable quality to the leading brands without having a premium price.

## Product Description

RS PRO aluminium profiles offer a modular solution for building structures, frameworks and workstations.

A large number of components and connectors allow you to choose from a wide range of applications.

The modular system includes different profile types and lengths of 1 m, 2 m and 3 m with different cross-sections and groove-sizes in grid dimensions from 20 mm to 90 mm.

## General Specifications

<b>Structural Element Type</b>	Strut Profile / Aluminium Profile
<b>Number of Grooves</b>	4
<b>Material</b>	Aluminium anodized
<b>Colour</b>	Silver
<b>Product System</b>	Construction, Workstations, Industrial equipment, Automotive manufacturing

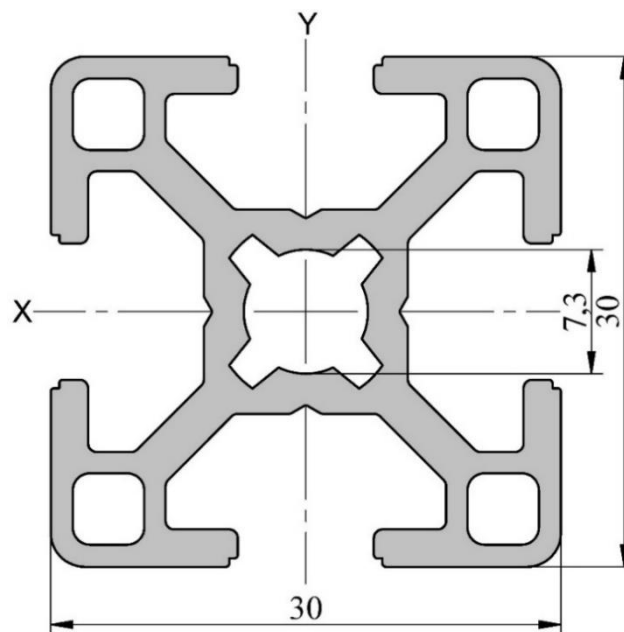
## Mechanical Specifications

<b>Strut Profile</b>	30 x 30 mm
<b>Length</b>	2000 mm
<b>Groove Size</b>	8 mm
<b>Mass (G)</b>	0.85 kg/m
<b>Moment of Inertia (Ix, Iy)</b>	2.77 cm <sup>4</sup>
<b>Section Modulus (Wx, Wy)</b>	1.85 cm <sup>3</sup>

## Compatible Accessories for Groove

Stock No.	Items
276-8155	RS PRO Angle Bracket with Cap Set, Profile 30
276-8168	RS PRO Connecting Component, TSlot Nut Type, M4 Thread
276-8196	RS PRO Connecting Component, Sliding Block Type, M6 Thread
276-8195	Connecting Component, Sliding Block Type, M5 Thread
276-8183	RS PRO Inner Mounting Coupler
276-8169	RS PRO Slot 8, Hammer Nut, M5
276-8170	RS PRO Slot 8, Hammer Nut, M6
276-8191	RS PRO Cover and Reduction Profile, Slot 8, Black
276-8197	RS PRO Slot 8, T-Slot Nut, M6
276-8180	RS PRO Central Connector, Slot 8, 0°
276-8190	RS PRO Cover Profile, Slot 8, Grey

## Similar Products



## Similar Products

Parameters	264-7865	264-7864	264-7862	264-7870
<b>Brand</b>	RS PRO	RS PRO	RS PRO	RS PRO
<b>Structural Element Type</b>	Strut Profile / Aluminium Profile	Strut Profile / Aluminium Profile	Strut Profile / Aluminium Profile	Strut Profile / Aluminium Profile
<b>Number of Grooves</b>	2	2	4	2
<b>Material</b>	Aluminium, anodized	Aluminium, anodized	Aluminium, anodized	Aluminium, anodized
<b>Colour</b>	silver	silver	silver	silver
<b>Product System</b>	Construction, Workstations, Industrial equipment, Automotive manufacturing	Construction, Workstations, Industrial equipment, Automotive manufacturing	Construction, Workstations, Industrial equipment, Automotive manufacturing	Construction, Workstations, Industrial equipment, Automotive manufacturing
<b>Strut Profile</b>	30 x 30 mm	30 x 30 mm	30 x 30 mm	30 x 30 mm
<b>Length</b>	2000 mm	2000 mm	1000 mm	3000 mm
<b>Groove Size</b>	8 mm	8 mm	8 mm	8 mm
<b>Round Tube Outer Diameter</b>				
<b>Tube Thickness</b>				
<b>Square Tube Profile</b>				
<b>Mass (G)</b>	0.95 kg/m	0.95 kg/m	0.85 kg/m	0.78 kg/m
<b>Moment of Inertia (I<sub>x</sub>, I<sub>y</sub>)</b>	3.48 cm <sup>4</sup> 2.79 cm <sup>4</sup>	3.11 cm <sup>4</sup> 3.11 cm <sup>4</sup>	2.77 cm <sup>4</sup> 2.77 cm <sup>4</sup>	2.28 cm <sup>4</sup> 2.28 cm <sup>4</sup>
<b>Section Modulus (W<sub>x</sub>, W<sub>y</sub>)</b>	2.32 cm <sup>3</sup> 1.86 cm <sup>3</sup>	1.98 cm <sup>3</sup> 1.98 cm <sup>3</sup>	1.85 cm <sup>3</sup> 1.85 cm <sup>3</sup>	1.41 cm <sup>3</sup> 1.41 cm <sup>3</sup>
<b>Standards Met</b>				