

THIS DRAWING IS UNPUBLISHED. RELEASED FOR PUBLICATION, 19
 © COPYRIGHT 19 BY AMP INCORPORATED, HARRISBURG, PA. ALL INTERNATIONAL RIGHTS RESERVED. AMP PRODUCTS MAY BE COVERED BY U.S. AND FOREIGN PATENTS AND/OR PATENTS PENDING.

		REVISIONS				
P	F	ZONE	LTR	DESCRIPTION	DATE	APPROVED
✓	✓		D	REDRAWN & REVISED PER ECN R-1451	9-25-85	PER GIB
✓	✓		E	OBSOLETE -3, -4, & 1-0 1R-2760	3-4-87	506 GIB
			F	REV PER 063D-269-03 CT	5-03	ONE

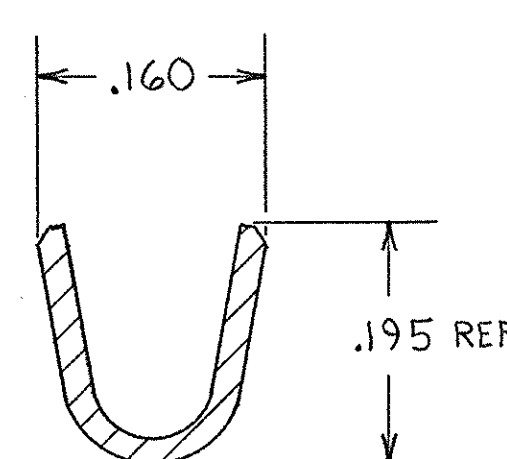
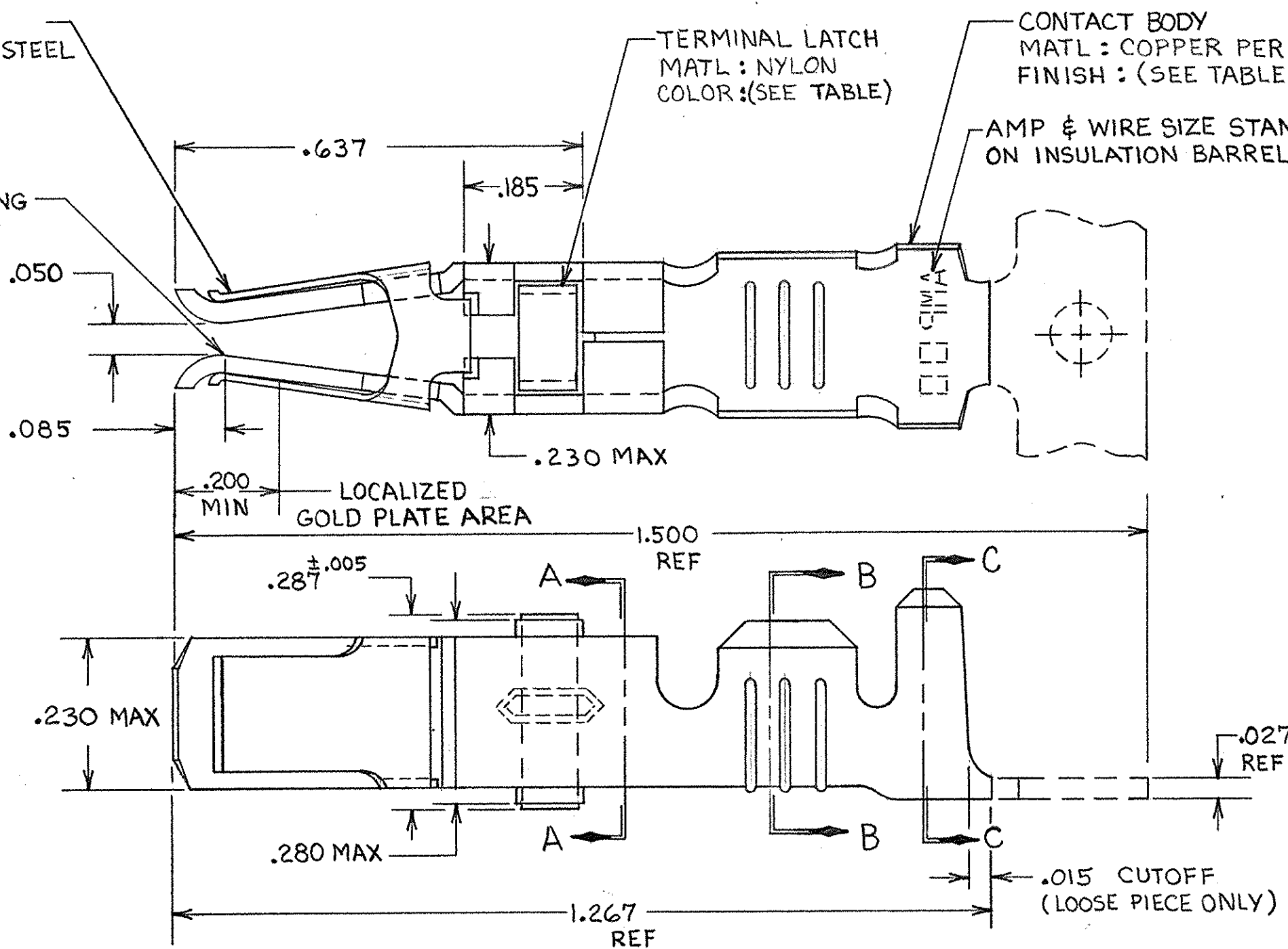
ASSIST SPRING
 MATL: STAINLESS STEEL
 PER G.Q.-S-766

TERMINAL LATCH
 MATL: NYLON
 COLOR: (SEE TABLE)

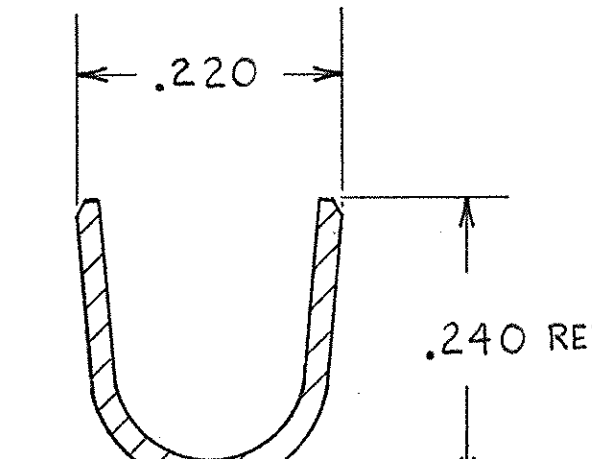
CONTACT BODY
 MATL: COPPER PER G.Q.-C-576
 FINISH: (SEE TABLE)

AMP & WIRE SIZE STAMPED
 ON INSULATION BARREL

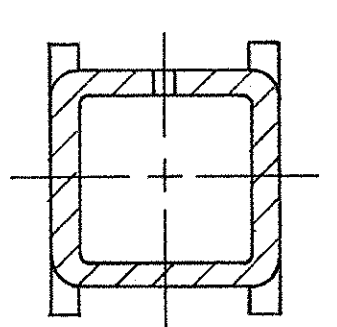
POINT OF PLATING
 MEASUREMENT



SECTION B-B



SECTION C-C



SECTION A-A

- ① REELED FOR USE WITH STANDARD APPLICATORS.
- ② REELED FOR USE WITH HEAVY DUTY MINI-APPLICATORS.
- ③ PLATED WITH .000100 MIN SILVER PER G.Q.-S-365.
- ④ PLATED WITH .000015 MIN GOLD PER MIL-G-45204 IN THE LOCALIZED GOLD PLATE AREA, GOLD FLASH ON THE REMAINDER, OVER .000030 MIN NICKEL PER G.Q.-N-290.
- ⑤ PLATED WITH .000030 MIN GOLD PER MIL-G-45204 IN THE LOCALIZED GOLD PLATE AREA, GOLD FLASH ON THE REMAINDER, OVER .000030 MIN NICKEL PER G.Q.-N-290.
- ⑥ PLATED WITH .000050 MIN 93-7% TIN-LEAD ALLOY OVER .000030 MIN NICKEL PER G.Q.-N-290.
- 7. WIRE RANGE = 12-16 AWG.
- 8. INSULATION RANGE = .140-.165 DIA.

⑨ PLATED TIN (NO LEAD). 0.00050 MIN THK PER ASTM-B-595 OVER NICKEL .000030 MIN THK PER QQ-N-290.

BLACK	⑨	2-66740-1	2-66740-0/2
BLACK	⑨	2-66740-1	1-66740-9
BLACK	⑥	66740-8	1-66740-2
BLACK	⑤	66740-6	1-66740-1
BLACK	④	OBSOLETE	1-66740-0
NATURAL	③	66740-2	66740-9
BLACK	⑥	66740-8	66740-7
BLACK	⑤	66740-6	66740-5
BLACK	④	OBSOLETE	66740-3
NATURAL	③	66740-2	66740-1

UNLESS OTHERWISE SPECIFIED DIMENSIONS ARE IN INCHES. TOLERANCES ON: DECIMALS ±.010 ANGLES ±.010	CONTRACT NO		AMP INCORPORATED Harrisburg, Pa. 17105	
	DR	9-25-85		
	MATERIAL	SEE CALLOUT	NAME	
	FINISH	SEE DASH NO	FEMALE TYPE XII CONTACT ASSEMBLY, WITH ASSIST SPRING	
OTHER APPD		SIZE	FSCM NO	DRAWING NO
		C	00779	66740
SCALE NTS			SHEET	

CUSTOMER DRAWING