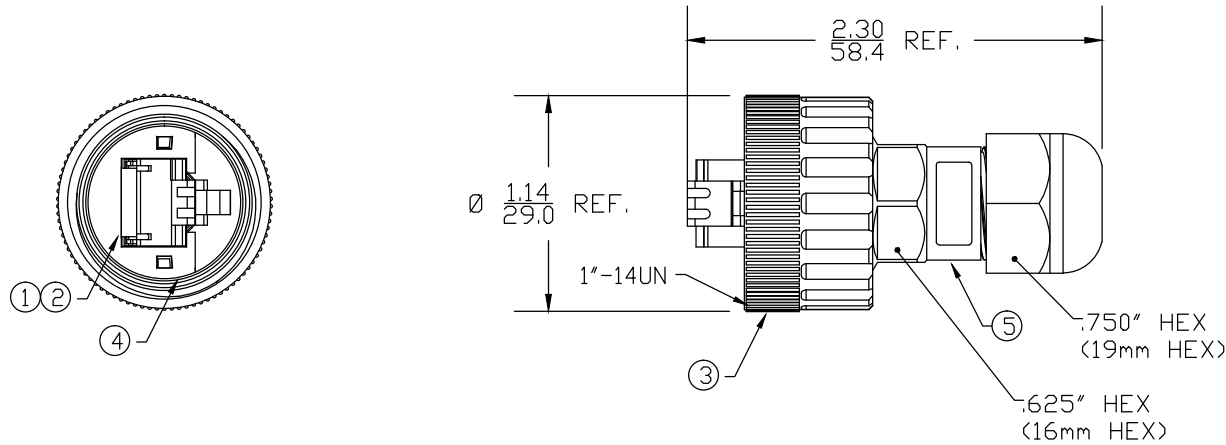
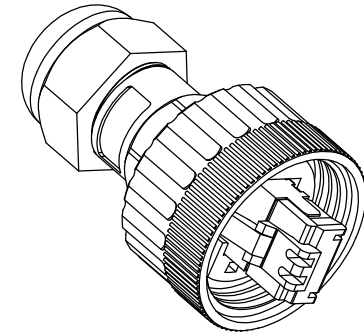


MATERIAL NUMBER	OLD PART NUMBER
130057-0003	ENSAM315



VOLTAGE RATING	125 VDC
AMPERAGE RATING	1.5 AMPS
PROTECTION	IP67
OPERATING TEMPERATURE	-20°C TO 80°C
CATEGORY RATING	Cat 5

ITEM	COMPONENT	MATERIAL	FINISH
1	CONTACT HOUSING	POLYCARBONATE	CLEAR
2	CONTACT PIN	COPPER ALLOY	GOLD OVER NICKEL
3	COUPLING NUT	ASA	BLACK
4	O-RING	VITON	BLACK
5	HOUSING	ASA	BLACK

RLSD DRAWING  
 EC NO: ICG2013-0733  
 DRWN: BWOODMAN 11/19/12  
 CHKD: TW  
 APPR: JFMURPHY 2009/08/27

QUALITY SYMBOLS  
 ▽=0  
 ▽C=0

GENERAL TOLERANCES (UNLESS SPECIFIED)

	mm	INCH
4 PLACES	±---	±---
3 PLACES	±---	±---
2 PLACES	±---	±.01
1 PLACE	±0.3	±---

ANGULAR ±---°

DRAFT WHERE APPLICABLE MUST REMAIN WITHIN DIMENSIONS

DIMENSION STYLE IN/MM

SCALE --- INCH

DESIGN UNITS INCH

THIRD ANGLE PROJECTION

DRAWN BY DATE  
VOU 2009/08/26

CHECKED BY DATE  
BWOODMAN 2009/08/31

APPROVED BY DATE  
JFMURPHY 2009/08/27

MATERIAL NO.

SEE CHART

SIZE A

TITLE  
 RJ-LNXX ATTACHABLE FOR SOLID-CORE CABLE

MOLEX INCORPORATED

DOCUMENT NO. SD-130057-002

SHEET NO. 1 OF 1

THIS DRAWING CONTAINS INFORMATION THAT IS PROPRIETARY TO MOLEX INCORPORATED AND SHOULD NOT BE USED WITHOUT WRITTEN PERMISSION