

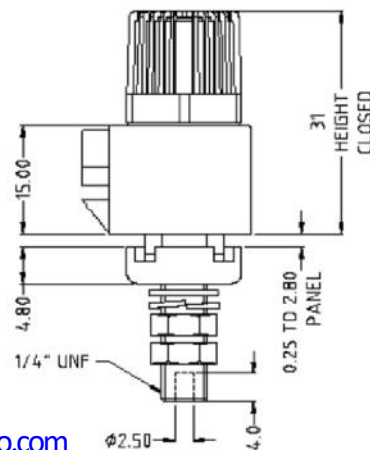
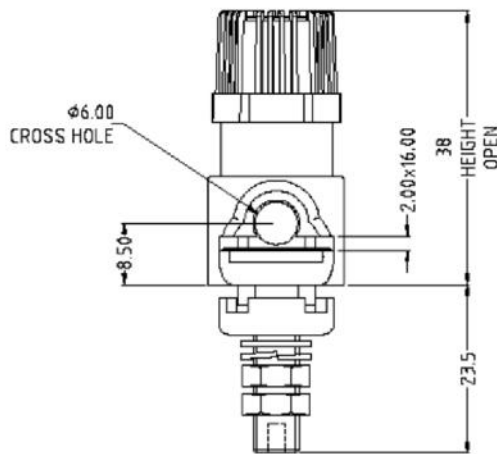
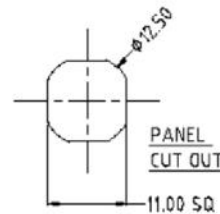
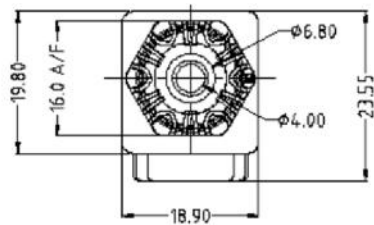


ENGLISH

## Datasheet

# RS PRO 60A BINDING POST GOLD PLATED

Stock No: 175-0163, 175-0164



[rspro.com](http://rspro.com)

## SPECIFICATION

Maximum current: 60A.

Contact resistance: Gold <20mΩ

Temperature rating: -20°C to +80°C

Part No.

**175-0163** – 60A Terminal Clear, Black Gold Plated

**175-0164** – 60A Terminal Clear, Red Gold Plated



[rspro.com](http://rspro.com)

