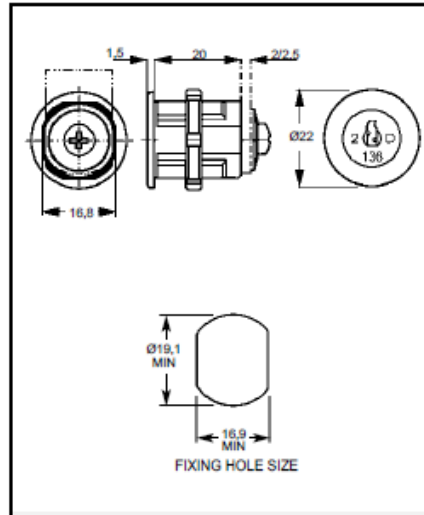


Camlock 20mm

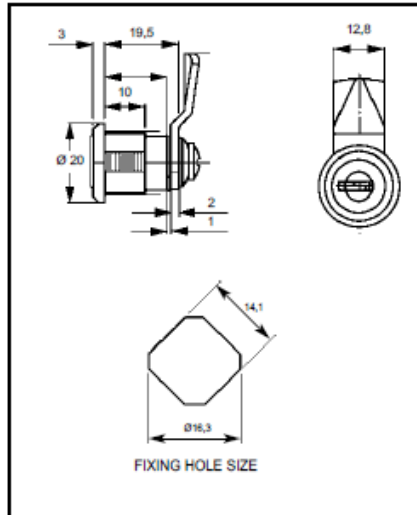


B505



PRODUCT REFERENCE NUMBERS		
KEY SERIES	COMBINATIONS	NUT FIXED HOUSING
2D	200	B505
STANDARD MOVEMENTS: 8		
STANDARD FINISHES: BRIGHT CHROME		

B233



PRODUCT REFERENCE NUMBER		
KEY SERIES	COMBINATIONS	REFERENCE
SPECIAL	200	B233
66	500	C452
SPECIAL	2233	C038
800	200	C046
STANDARD MOVEMENT: B233 = 08 C452, C038, C046 = 01		
STANDARD FINISH: BRIGHT NICKEL		
THE CAM IS RETAINED BY SCREW AND WASHER		
ON C038 THE CAM IS RETAINED BY AN ECLIP		
COMPREHENSIVE RANGE OF CAMS AVAILABLE: REF SECTION 13		

LOWE & FLETCHER LTD

MOORCROFT DRIVE, WEDNESBURY, WEST MIDLANDS, ENGLAND WS10 7DE.
TELEPHONE: 0121 505 0400. FAX: 0121 505 0420. E-MAIL: sales@lowe-and-fletcher.co.uk WEB SITE: www.lowe-and-fletcher.co.uk