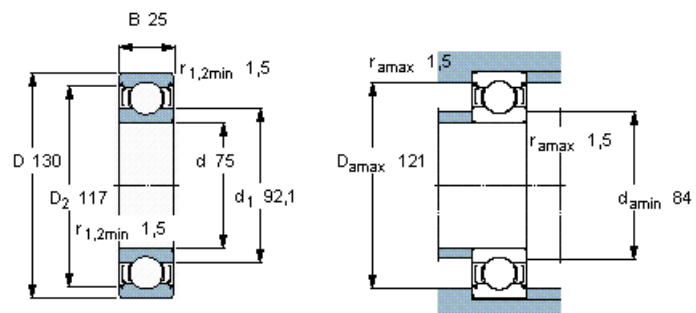


Deep groove ball bearings, single row

Principal dimensions			Basic load ratings		Fatigue load limit P_u	Speed ratings		Mass	Designation
d	D	B	dynamic	static		Reference speed	Limiting speed		
mm			kN	C_0	kN	r/min		kg	* - SKF Explorer bearing
75	130	25	68,9	49	2,04	10000	5300	1,20	6215-2Z *



Calculation factors

$k_r = 0,025$

$f_0 = 15$