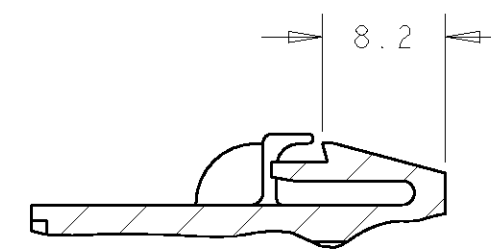
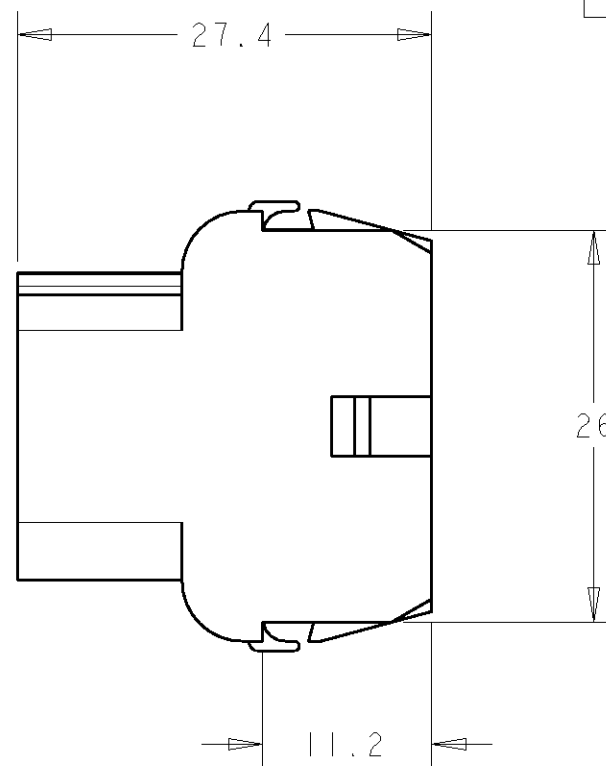
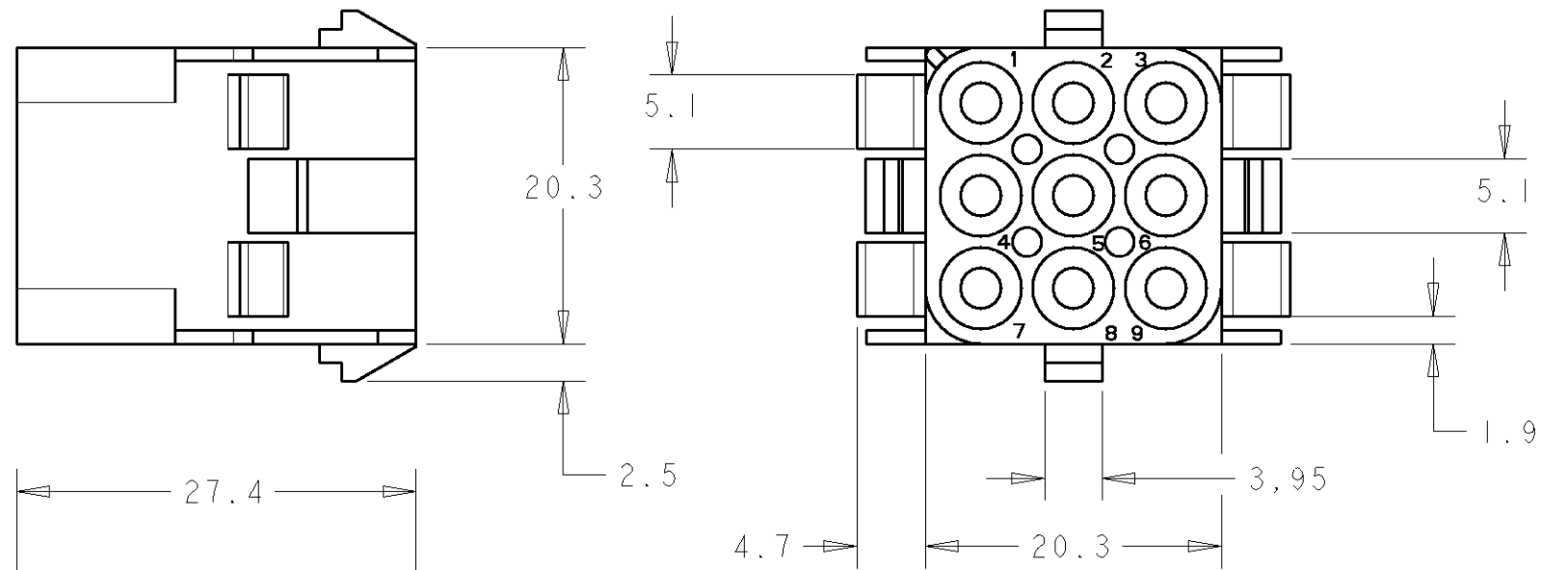
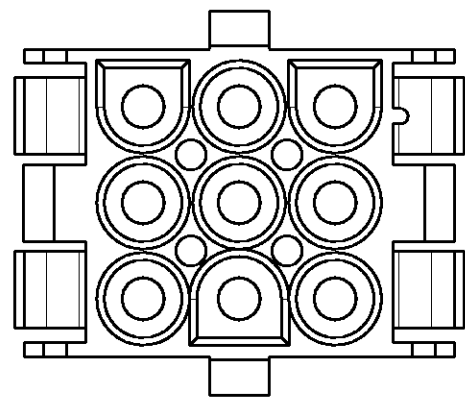
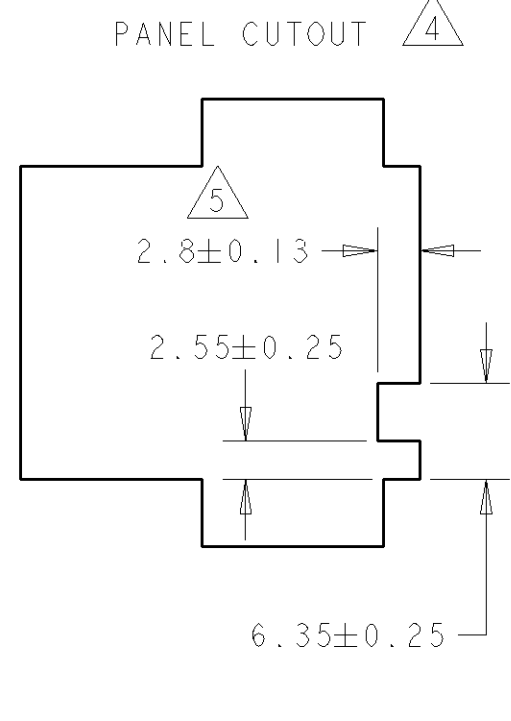
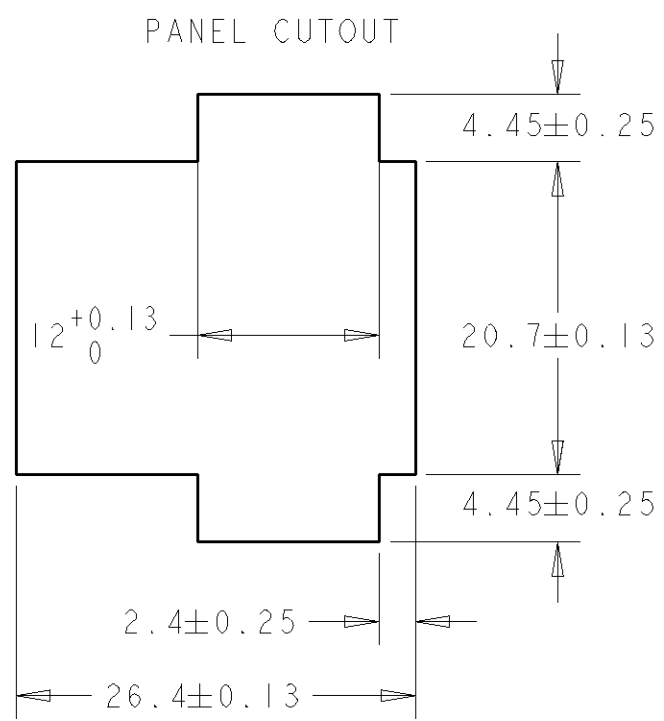


THIS DRAWING IS UNPUBLISHED. RELEASED FOR PUBLICATION 20
 © COPYRIGHT 20 BY TYCO ELECTRONICS CORPORATION. ALL RIGHTS RESERVED.

LOC	DIST	REVISIONS			
P	LTR	DESCRIPTION	DATE	DWN	APVD
AL	I	F	REDRAWN AND ADDED NOTE ABOUT GWFI	05MAR2008	J.S. L.B.



SECTION A-A



- 1 SUITABLE FOR PIN AND FEMALE CONTACTS
- 2 RECOMMENDED SHEET METAL THICKNESS 0,75 - 2,3 mm.
- 3 HOUSING MUST BE INTRODUCED IN PUNCHING DIRECTION.
- 4 FOR CODED USING OF THE HOUSINGS
- 5 POSITION OF CAVITY I FOR CODED USING
- 6 NEW MATERIAL (PHOSPOR AND HALOGENEUS FREE).
- 7 GWT 750°C (WITHOUT FLAME) ACCORDING IEC 60335-1 EDITION 06/2001
- 8 MATERIAL WITH GWFI 850°C

927231-5	PA6 UL-94 V2	NATURAL Δ_7 Δ_8
927231-4	PA66 UL-94 V0	WHITE
927231-3	PA66 UL-94 V0	NATURAL Δ_6
927231-2	PA66 UL-94 V0	BLACK
927231-1	PA66 UL-94 V0	NATURAL
PN	MATERIAL	COLOUR

DIMENSIONS:		TOLERANCES UNLESS OTHERWISE SPECIFIED:		DWN		Tyco Electronics		Tyco Electronics AMP España, S.A.	
mm		0 PLC	±0,2	J.SALO	05MAR2008	Barcelona, Spain.		NAME	
		1 PLC	±0,2	CHK	06MAR2008	UMNL 9 WAY CAP HOUSING		RESTRICTED TO	
		2 PLC	±0,2	APVD	06MAR2008	-		-	
		3 PLC	±	PRODUCT SPEC		-		-	
		4 PLC	±	APPLICATION SPEC		-		-	
		ANGLES	±	108-1031		-		-	
		FINISH	-	114-18011		-		-	
MATERIAL SEE TABLE				WEIGHT		-		-	
				CUSTOMER DRAWING		-		-	
				SCALE		2:1		SHEET 1 OF 1	
				REV		F			