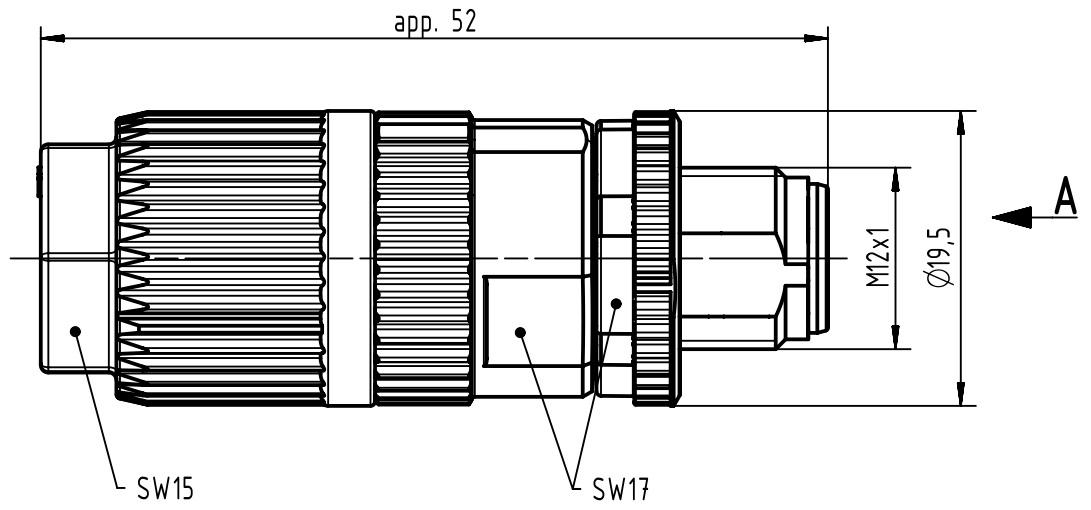
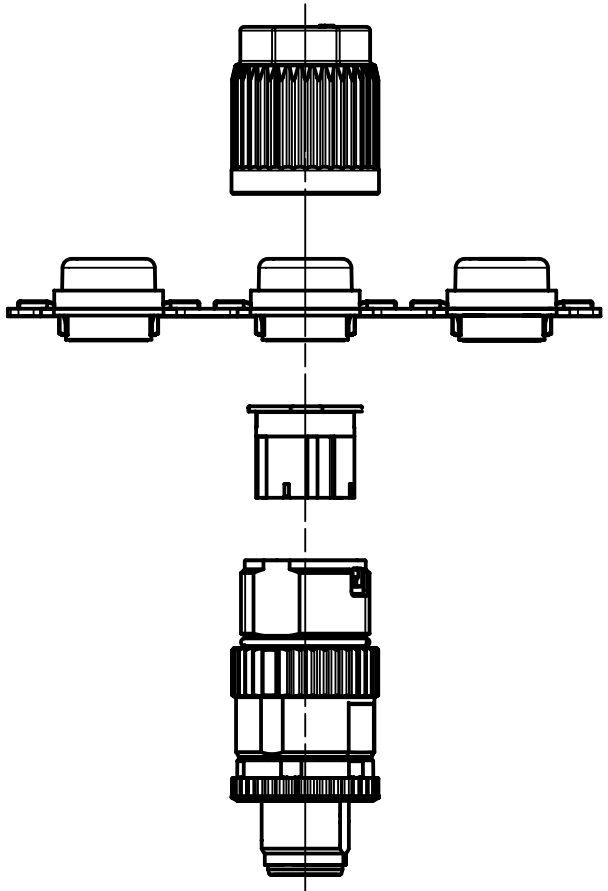
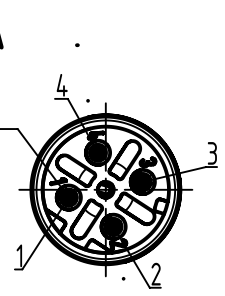


1 2 3 4 5 6

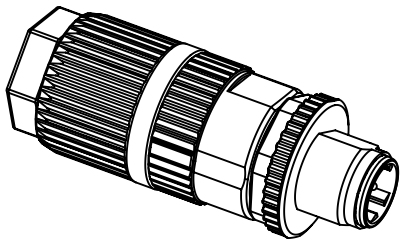
(1:1)



Contact face acc.to
IEC 61076-2-101



Leiterquerschnitt <i>conductor cross section</i>	0,14 - 0,34mm ² AWG26-AWG22
Kabeldurchmesser <i>cable outside diameter</i>	4,5 - 8,8mm



	All Dimensions in mm Original Size DIN A4		Scale 2:1	Free size tol.		Ref. Sub.		
	All rights reserved Department EC PD - DE		Created by DYCKC	Inspected by HARLASS	Standardisation HOFFMANN	Date 2014-06-25	State Final Release	
HARTING Electronics GmbH D-32339 Espelkamp			Title HARTING M12-L shielded male 4-pole D-coded				Doc-Key / ECM-Nr. 100195995/UGD/004/B 500000070442	
			Type TB	Number 21032811405			Rev. B	Page 1/1