



### Features

- Shielded power inductors
- High current (up to 5.4 amps)
- Surface mountable construction
- High inductance (up to 1,000 $\mu$ H)
- Taped and reeled for automatic insertion
- For use in DC/DC converters

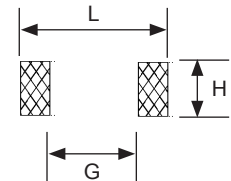
### CHARACTERISTICS

Case Size	74	25	27	29
Inductance Range	10 ~ 220 $\mu$ H	12 ~ 1,000 $\mu$ H	1.0 ~ 1,000 $\mu$ H	22 ~ 150 $\mu$ H
Ambient Operating Temperature Range	-40°C ~ +125°C (including temperature rise)			
Temperature Rise at Irms	+40°C max.			
Inductance Change at Isat	-25% typical			
Inductance Tolerance	20% (M), 30% (Y)			

### DIMENSIONS (mm)

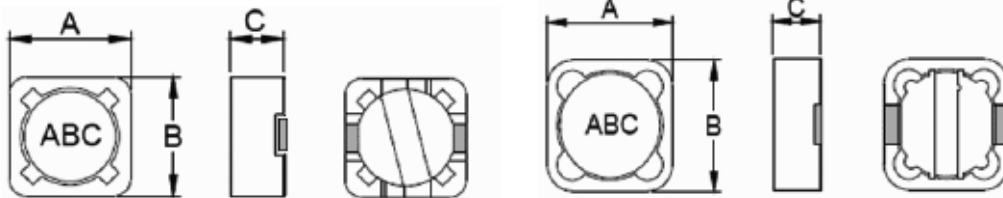
Case Size	A	B	C	G	H	L
74	7.8	7.8	5.0	4.8	2.2	8.0
25	12.5	12.5	6.0	7.0	5.4	12.8
27	12.5	12.5	8.0	7.0	5.4	12.8
29	12.0 $\pm$ 0.5	12.0 $\pm$ 0.5	10.0	7.0	5.4	12.8

### LAND PATTERN (All Sizes)



74

25, 27, 29



Article	Standard Values - Case Size 74 (7.8 x 7.8 x 5.0)			
	Inductance Value ( $\mu$ H)	Test Conditions	DC Resistance ( $\Omega$ )	DC Current Isat/Irms (Amps)
123-4659	10 $\pm$ 20%	1k, 0.3V	0.049	1.84
123-4660	22 $\pm$ 20%	1k, 0.3V	0.11	1.23
123-4658	100 $\pm$ 20%	1k, 0.3V	0.61	0.60

Irms/Isat specification is based on +40°C temperature rise or -25% inductance change whichever is less.



ARticle	Standard Values - Case Size 25 (12.5 x 12.5 x 6.0)			
	Inductance Value ( $\mu$ H)	Test Conditions	DC Resistance ( $\Omega$ )	DC Current Isat/Irms (Amps)
741-8852	12 $\pm$ 20%	1k, 0.3V	0.027	3.5
741-8855	15 $\pm$ 20%	1k, 0.3V	0.030	3.3
741-8868	22 $\pm$ 20%	1k, 0.3V	0.036	2.8
741-8865	33 $\pm$ 20%	1k, 0.3V	0.057	2.1
741-8877	47 $\pm$ 20%	1k, 0.3V	0.075	1.8
741-8871	56 $\pm$ 20%	1k, 0.3V	0.11	1.7
741-8880	68 $\pm$ 20%	1k, 0.3V	0.12	1.5
741-8883	82 $\pm$ 20%	1k, 0.3V	0.14	1.4
741-8887	100 $\pm$ 20%	1k, 0.3V	0.16	1.3
741-8893	180 $\pm$ 20%	1k, 0.3V	0.29	0.9
741-8903	220 $\pm$ 20%	1k, 0.3V	0.40	0.8
741-8919	390 $\pm$ 20%	1k, 0.3V	0.69	0.65
741-8928	820 $\pm$ 20%	1k, 0.3V	1.34	0.43
741-8922	1000 $\pm$ 20%	1k, 0.3V	1.53	0.40

Irms/Isat specification is based on +40°C temperature rise or -25% inductance change whichever is less.

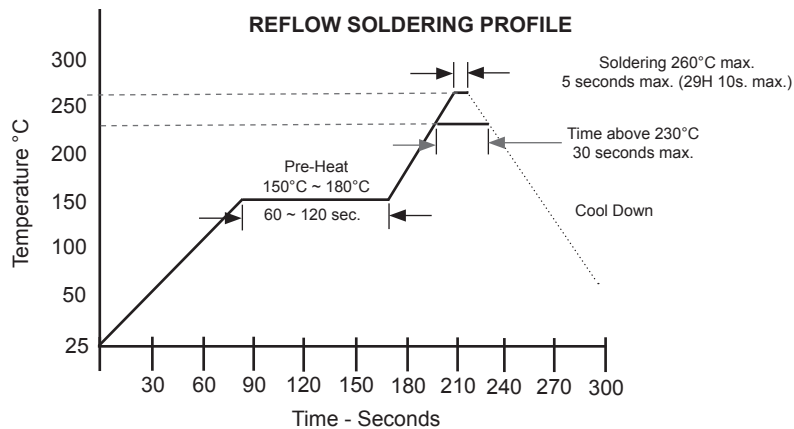
Article	Standard Values - Case Size 27 (12.5 x 12.5 x 8.0)			
	Inductance Value ( $\mu$ H)	Test Conditions	DC Resistance ( $\Omega$ )	DC Current Isat/Irms (Amps)
124-5582	1.0 $\pm$ 20%	1k, 0.3V	0.006	12.0
124-5583	2.2 $\pm$ 20%	1k, 0.3V	0.0115	8.00
124-5584	4.7 $\pm$ 20%	1k, 0.3V	0.0158	6.80
741-8953	10 $\pm$ 20%	1k, 0.3V	0.0216	5.40
741-8950	15 $\pm$ 20%	1k, 0.3V	0.0270	4.50
741-8962	22 $\pm$ 20%	1k, 0.3V	0.0432	3.60
741-8975	33 $\pm$ 20%	1k, 0.3V	0.0648	3.00
741-8978	39 $\pm$ 20%	1k, 0.3V	0.0729	2.75
741-8972	47 $\pm$ 20%	1k, 0.3V	0.10	2.50
741-8984	68 $\pm$ 20%	1k, 0.3V	0.14	2.10
741-8997	100 $\pm$ 20%	1k, 0.3V	0.22	1.70
741-8994	150 $\pm$ 20%	1k, 0.3V	0.28	1.42
741-9007	180 $\pm$ 20%	1k, 0.3V	0.35	1.30
741-9000	220 $\pm$ 20%	1k, 0.3V	0.39	1.16
741-9016	330 $\pm$ 20%	1k, 0.3V	0.64	0.95
741-9029	470 $\pm$ 20%	1k, 0.3V	0.98	0.79
124-5585	560 $\pm$ 20%	1k, 0.3V	1.07	0.73
741-9026	680 $\pm$ 20%	1k, 0.3V	1.46	0.67
741-9035	820 $\pm$ 20%	1k, 0.3V	1.64	0.60
741-9038	1000 $\pm$ 20%	1k, 0.3V	1.82	0.55

Irms/Isat specification is based on +40°C temperature rise or -25% inductance change whichever is less.



Article	Standard Values - Case Size 29 (12.5 x 12.5 x 10.0)					
	Inductance Value (μH)	Tolerances (%)	Test Conditions	DC Resistance (Ω)	Isat (A)	Irms (A)
123-4661	22	20% (M)	100k, 0.1V	0.029	5.12	4.95
124-5586	47	20% (M)	100k, 0.1V	0.063	3.60	3.45
123-4663	68	20% (M)	100k, 0.1V	0.093	2.76	2.85
124-5587	100	20% (M)	100k, 0.1V	0.126	2.31	2.45

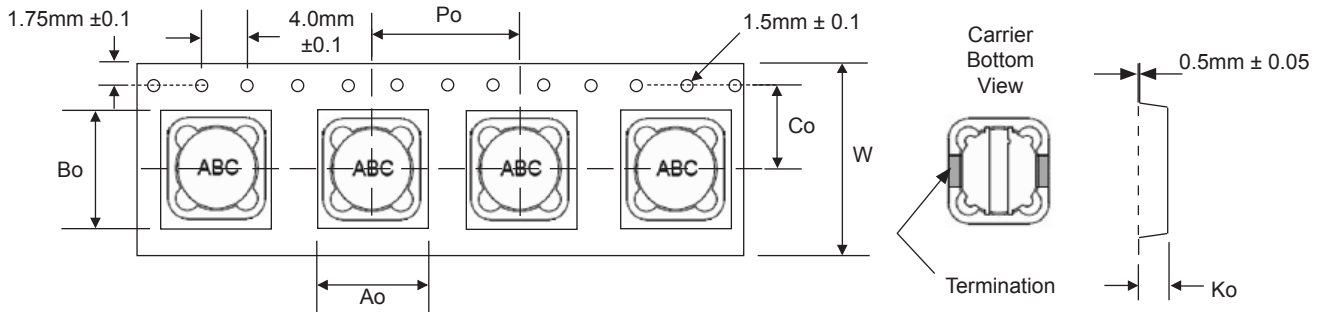
Irms specification is based on +40°C temperature rise. Isat specification is based -25% inductance change.



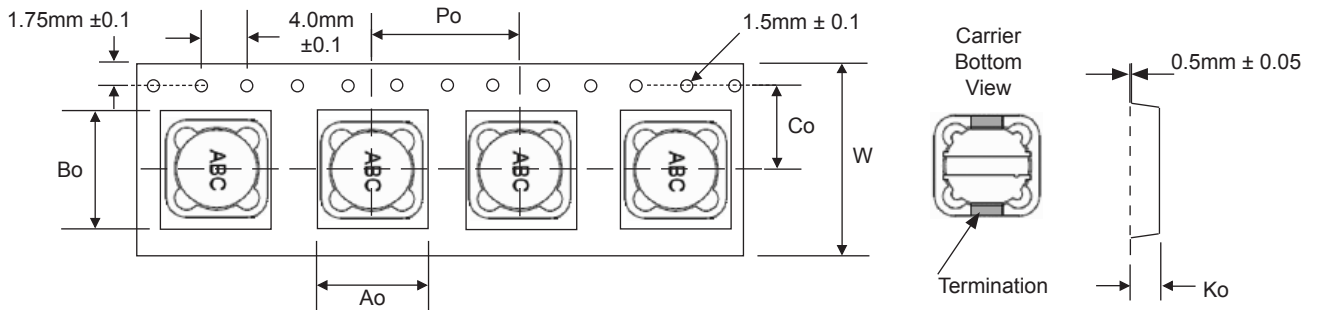
Case Size	TAPING DIMENSIONS (mm)					
	Ao	Bo	Ko	Co	W	Po
74	7.6	7.6	5.2	7.5	16	12.0
25	12.9	12.9	6.2	11.5	24	16.0
27			8.2			
29	12.7 ± 0.1	12.7 ± 0.1	10.2 ± 0.1	11.5 ± 0.1	24 ± 0.2	24.0



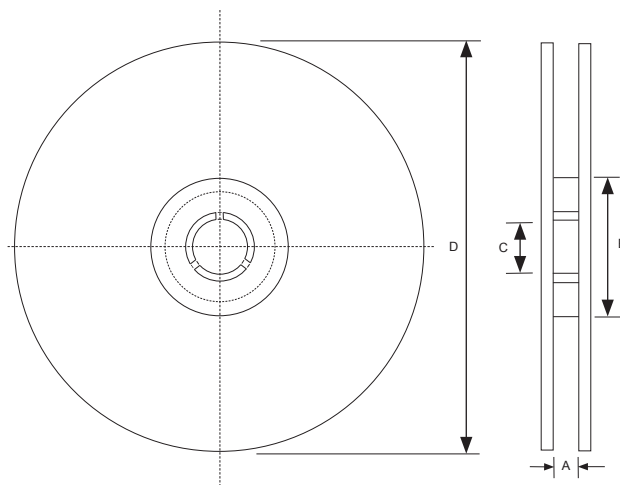
**COMPONENT ORIENTATION ON TAPE - 74, 25, & 27**



**COMPONENT ORIENTATION ON TAPE - 29**



Tape Width	REEL DIMENSIONS (mm)			
	A(mm)	B(mm)	C(mm)	D(mm)
16mm	16.5 ± 0.5	100 ± 2.0	13 ± 0.5	330
24mm	24.5 ± 0.1	100 ± 2.0	13 ± 0.5	330



Size	REEL QUANTITY PER CASE SIZE			
	74	25	27	29
Quantity per reel	1,000	600	400	250
Tape Width	16mm	24mm		