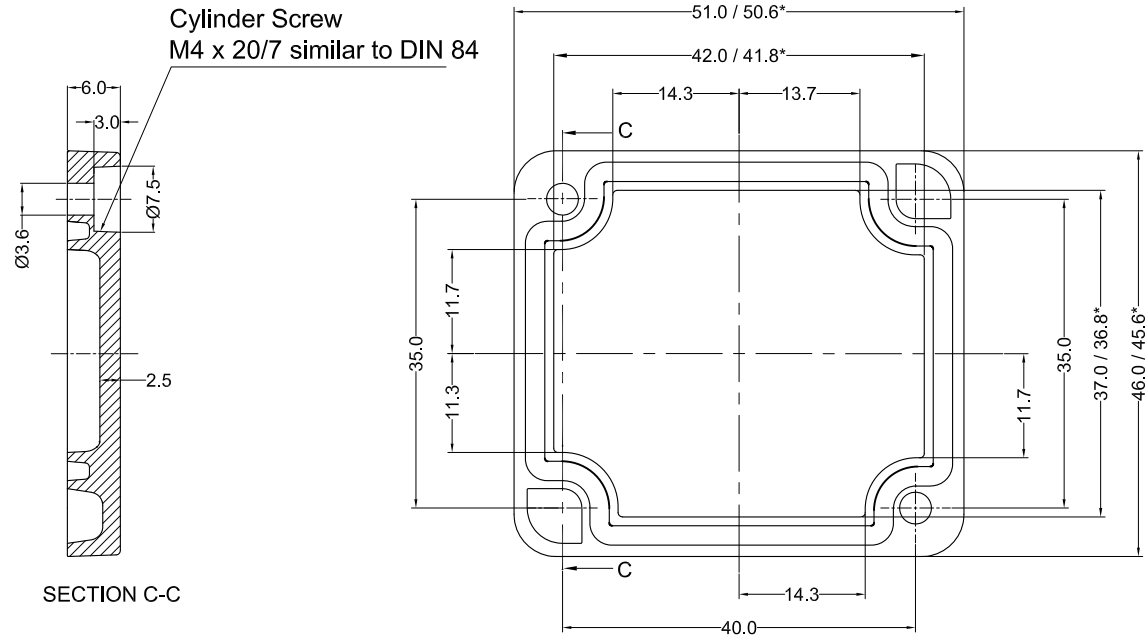


* = Conical form tapering downward.
 Untoleranced dimensions per GTA 13/5 DIN 1688

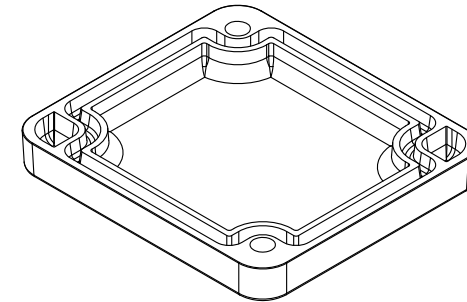
OPTIONAL ACCESSORIES

PART NAME	QTY	AVAILABILITY
MOUNTING PLATE	-	N
EXTERNAL HINGE	-	N
INTERNAL HINGE	-	N
MOUNTING BRACKETS	-	N
NEOPRENE/SILICON GASKET	1	Y
DIN RAIL TS15	-	N
DIN RAIL TS35	-	N

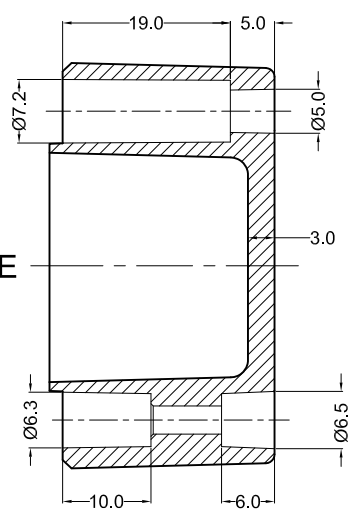
LID



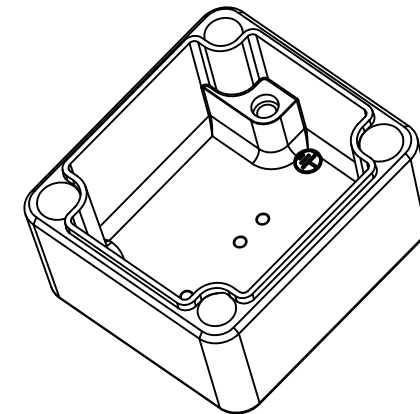
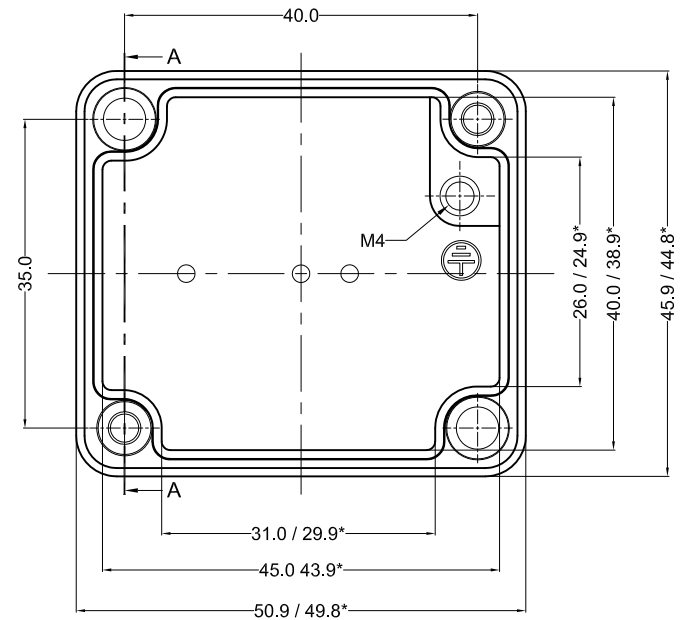
SECTION C-C



BASE



SECTION A-A



NO.	REV.NO.	DESCRIPTION	DATE	DRAWN	CHECKED
QUANTITY	MATERIAL :-	MACH.NAME	DATE	SIGN	NAME
-	Alsi 12	-	07/06/12		RRPL DESIGN
	Din230	TITLE :-	07/06/12		MANOJ DRAWN
	WEIGHT: FINISH:	JUNCTION BOX			PAVAN CHECKED
	- NATURAL	50 x 45 x 30			S.D. APPROVED
TOLERANCE			SCALE	PARTNO.	
±0.1 DIMENSIONS				REV	
±0.1 HOLES	ALL DIMENSION ARE IN MM			DRG. NO.	
±1.0° ANGLES	RJ 01			00	
				AJB-504530	