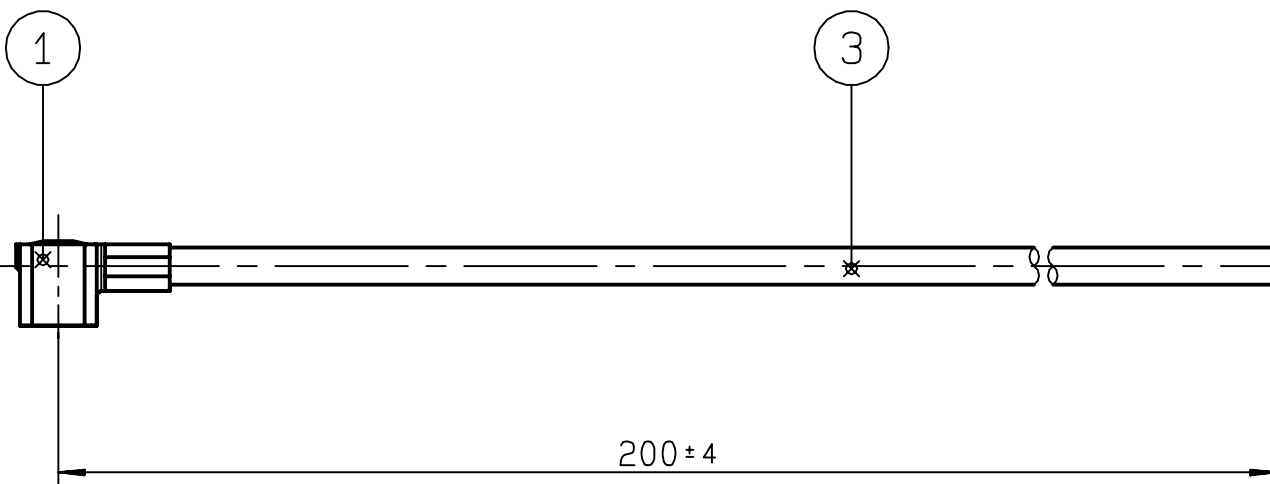


**RIGHT ANGLE MALE MMS - 200 MM
2/50 S-BR CABLE**

R285.001.021
SERIES CORD-SPECIF



- *1* Connector A : **R209.353.000**
- *2* Connector B :
- *3* Cable : **C291.145.007**
- Type : **CAB HF 2/50 RG 178 BROWN**

NOMINAL IMPEDANCE	50 Ω
FREQUENCY RANGE	0-6 GHz
TEMPERATURE RATING	-40/+90 °C
V.S.W.R	NA + 0 x F(GHz)Maxi
RF INSERTION LOSS	NA √F(GHz) dB Maxi
VOLTAGE RATING	50 Veff Maxi
DIELECTRIC WITHSTANDING VOLTAGE	250 Veff Mini
INSULATION RESISTANCE	500 MΩMini

WEIGHT	1.9 gr
CABLE RETENTION	20 N Mini

OTHERS CHARACTERISTICS

SPECIFICATION

ISSUE 0050A01	CREATION DATE 07/07/1999	FILE PART-NUMBER 97-1200-011
-------------------------	------------------------------------	--



Connect to the future