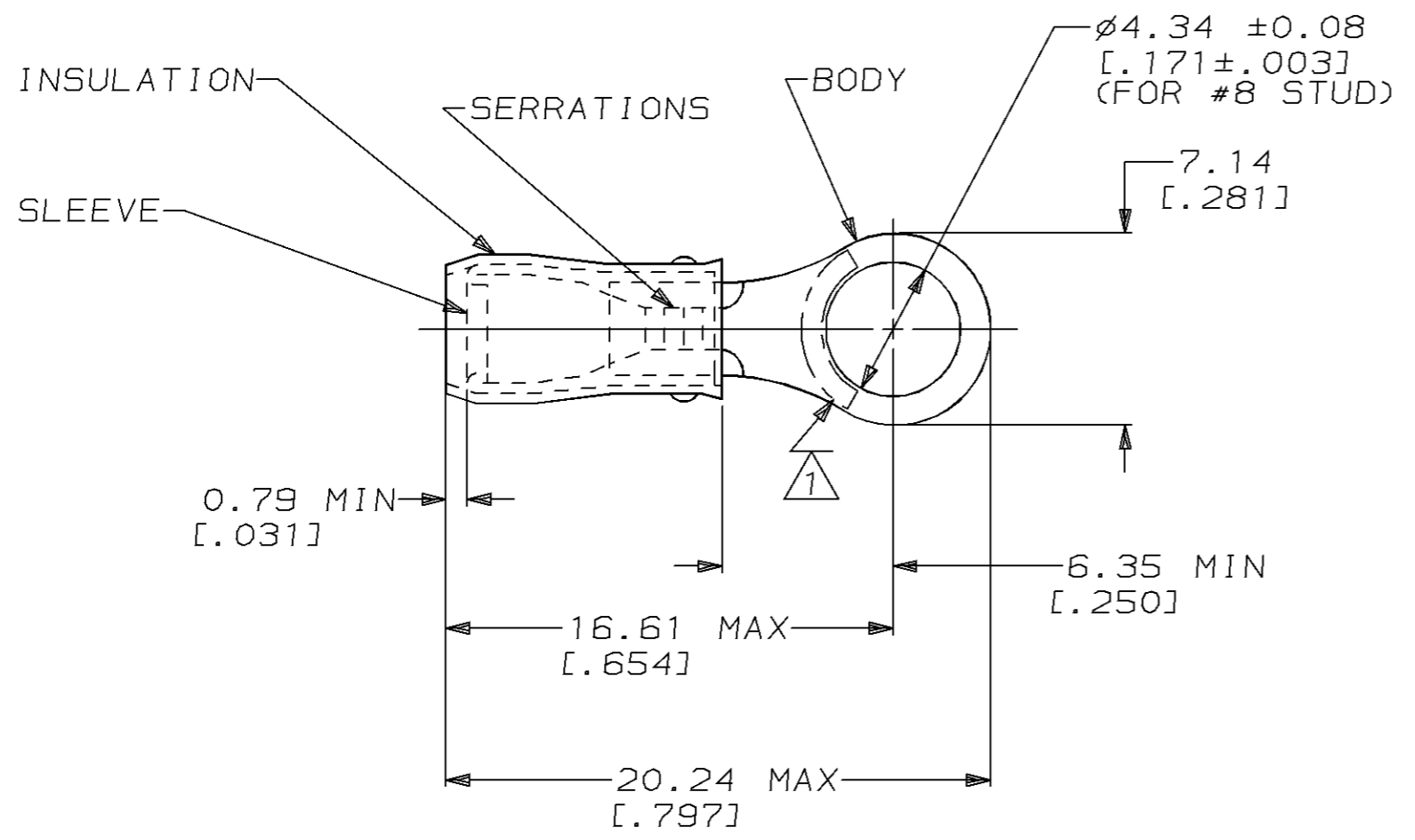


THIS DRAWING IS UNPUBLISHED. RELEASED FOR PUBLICATION ,19 .
 © COPYRIGHT 19 BY AMP INCORPORATED. ALL RIGHTS RESERVED.

LOC	DIST	REVISIONS					
		P	LTR	DESCRIPTION	DATE	DWN	APVD
G	14		G	REV & REDRAW / 0720-0578-95	26APR95	MLE	NB

AMP WIRE RANGE	E13288	LR7189 Certified
22-16 AWG SOLID OR STRANDED	22-16 AWG SOLID OR STRANDED	22-16 AWG SOLID OR STRANDED



1. STAMP AMP 22-18* APPROX AS SHOWN
 22-16 TERMINALS ARE STAMPED 22-18 IN
 ACCORDANCE WITH MILITARY SPEC MIL-T-7928
 COMMERCIAL WIRE RANGE IS 22-16
2. WIRE INSUL DIA, 2.03-3.18 [.080-.125]
3. TONGUE MATERIAL THK, 0.79±0.05
 [.031±.002]

---	-----	-----
100	LOOSE PIECE, BOX	8-320554-1
5000	ON TAPE, REEL	2-320554-1
1000	LOOSE PIECE	320554
QTY	PACKAGE TYPE	PART NO

AMP INCORPORATED
CUSTOMER SERVICE SYSTEM

FOR ADDITIONAL PRODUCT INFORMATION OR COPIES OF DRAWINGS AND TECHNICAL DOCUMENTS: PRODUCT INFORMATION CENTER 1-800-522-6752

FOR APPLICATION TOOLING INFORMATION: TOOLING ASSISTANCE CENTER 1-800-722-1111

FOR ORDER ENTRY: 1-800-526-5142

MAX RECOMMENDED OPERATING TEMPERATURE:
 105°C [221°F]

VOLTAGE RATING:
 300 V MAX

CIRCULAR MIL AREA:
 0.26mm²-1.65mm² [509-3260]

THIS DRAWING IS A CONTROLLED DOCUMENT FOR AMP INCORPORATED. IT IS SUBJECT TO CHANGE AND THE CONTROLLING ENGINEERING ORGANIZATION SHOULD BE CONTACTED FOR THE LATEST REVISION.

DIMENSIONS:	TOLERANCES UNLESS OTHERWISE SPECIFIED.
mm [in]	
	0 PLC ±-
	1 PLC ±-
	2 PLC ±0.20 [.008]
	3 PLC ±-
	4 PLC ±-
ANGLES ±-	

MATERIAL: BODY, SLV, COPPER PER ASTM B 152; INSUL, NYLON, COLOR, RED

FINISH: BODY & SLV, TIN PLATE PER MIL-T-10727

DWN	M ELLIS	26APR95	AMP AMP Incorporated Harrisburg, PA 17105-3608
CHK	C PRESNELL	26APR95	
APVD	N BIRCH	26APR95	
PRODUCT SPEC	UL 486A		
APPLICATION SPEC			NAME TERMINAL, RING TONGUE, PIDG™, WIRE SIZE, 22-16 AWG
WEIGHT	-		SIZE A3
CUSTOMER DRAWING			CAGE CODE 00779
			DRAWING NO C-320554
			SCALE 4:1
			SHEET 1 OF 1
			REV G