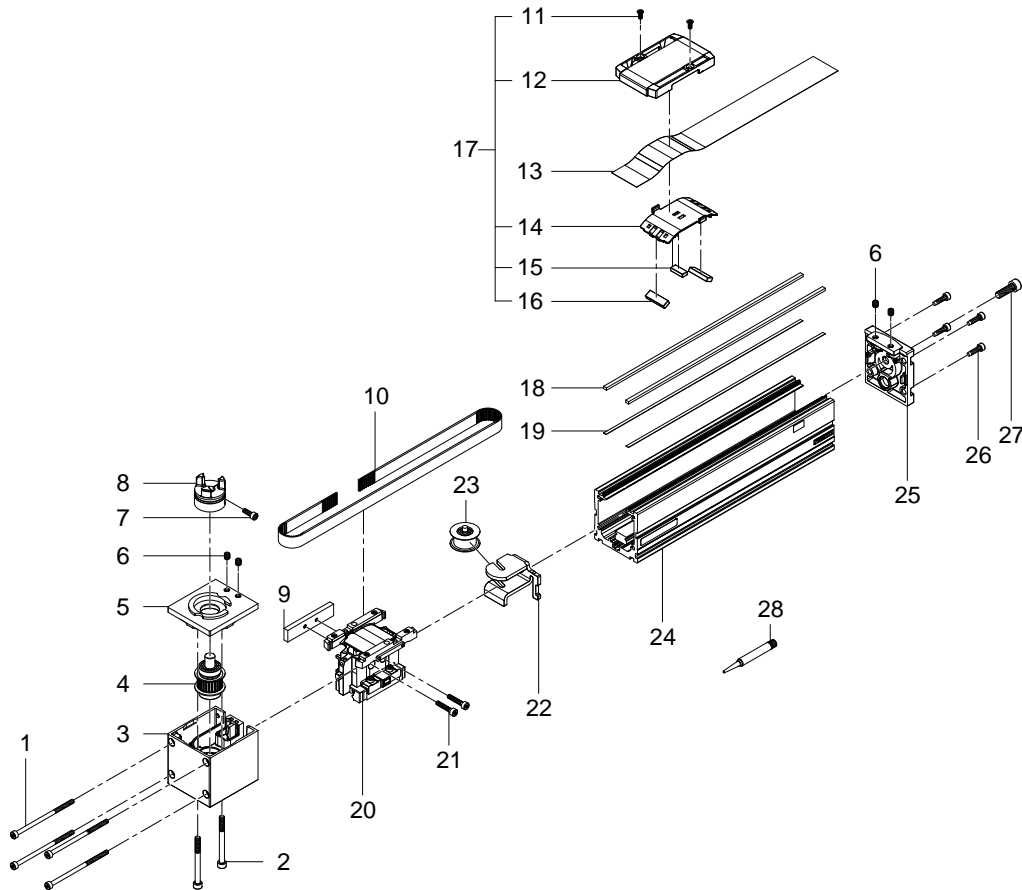


8062786 ELGC-TB-KF-80-200 Toothed belt axis - Series from 07-2022



## 8062786 ELGC-TB-KF-80-200 Toothed belt axis - Series from 07-2022

Pos.	Part no.	Type	Note	Qty.	Unit
1		ISO 14579-M5X95-8.8 Socket head screw	Not available Tightening torque 6 Nm / 4.4 lbf ft Achtung! Element chemisch vernickelt (B0b)/Attention! Component chemically nickel-plated (B0b)	4	PC
2		ISO 14579-M6X75-8.8 Socket head screw	Not available Tightening torque 9.9 Nm / 7.3 lbf ft Achtung! Element chemisch vernickelt (B0b)/Attention! Component chemically nickel-plated (B0b)	2	PC
3		ELGC-TB-KF-80:CO Drive cover	Not available Use locking compound. See position 28	1	PC
4		ELGC-TB-KF-80 Toothed belt pulley module	Not available	1	PC
5		ELGC-TB-KF-80 Plate	Not available	1	PC
6	8146611	ISO 4026-M4X5-45H Threaded pin	Tightening torque 0.8 Nm / 0.6 lbf ft Achtung! Element chemisch vernickelt (B0b)/Attention! Component chemically nickel-plated (B0b) Attention! 2 pieces included	2	PC
7			Not available Tightening torque 4 Nm / 3.0 lbf ft	1	PC
8		EAMC-30-GB16-D12X10-A Hub	Not available	1	PC
9		ELGC-TB-KF-80 Plate	Not available Use locking compound. See position 28 Achtung! Element chemisch vernickelt (B0b)/Attention! Component chemically nickel-plated (B0b)	1	PC
10	8096935	GT-15LL-3MR-5M-610-5555 Toothed belt	Attention! Length 5 meter <a href="#">Repair note: Quick_guide_toothed_belt</a> <a href="#">Replacing the toothed belt</a>	1	PC
11		ISO 7046-M4X10-4.8-Z Countersunk screw	Not available separately, see position 17 Tightening torque 0.5 Nm / 0.4 lbf ft Achtung! Element chemisch vernickelt (B0b)/Attention! Component chemically nickel-plated (B0b)	2	PC
12		ELGC-80 Covering	Not available separately, see position 17 Use locking compound. See position 28	1	PC
13	8179385	ELGC/ELFC-KF-80 Cover strip	Attention! Length 2.5 meter <a href="#">Repair video</a>	1	PC
14		ELGC-80 Belt reversal	Not available separately, see position 17	1	PC
15		EMMT-AS-80- Magnet	Not available separately, see position 17	1	PC
16		EMMT-AS-100- Magnet	Not available separately, see position 17	2	PC
17	8179468	ELGC-80 Belt reversal	<a href="#">Repair video</a>	1	PC
18	8040752	2X3X10000 Magnetic tape	Attention! Length 10 meter	1	PC
19	4171246	ELGA-TB-KF Adhesive tape		25	M
20		ELGC-TB-KF-80 Slide unit	Not available Lubricate with ELKALUB VP 922 during assembly	1	PC
21		ISO 14579-M5X30-8.8 Socket head screw	Not available Tightening torque 3 Nm / 2.2 lbf ft Achtung! Element chemisch vernickelt (B0b)/Attention! Component chemically nickel-plated (B0b)	2	PC
22		ELGC-TB-KF-80 Mounting bracket	Not available	1	PC

Pos.	Part no.	Type	Note	Qty.	Unit
23		ELGC-TB-KF-80 Take-up pulley module	Not available	1	PC
24		ELGC-TB-KF-80 Cylinder barrel module	Not available	1	PC
25		ELGC-TB-KF-80:CO Cover	Not available	1	PC
26		DIN 7500-OE M5X20-ST self-tapping screw	Not available Tightening torque 6 Nm / 4.4 lbf ft Achtung! Element chemisch vernickelt (B0b)/Attention! Component chemically nickel-plated (B0b)	4	PC
27		ISO 14579-M6X20-10.9 Socket head screw	Not available Achtung! Element chemisch vernickelt (B0b)/Attention! Component chemically nickel-plated (B0b)	1	PC
28	8181256	CYBERBOND TM44 TB1ML Adhesive bonding agent		1	PC