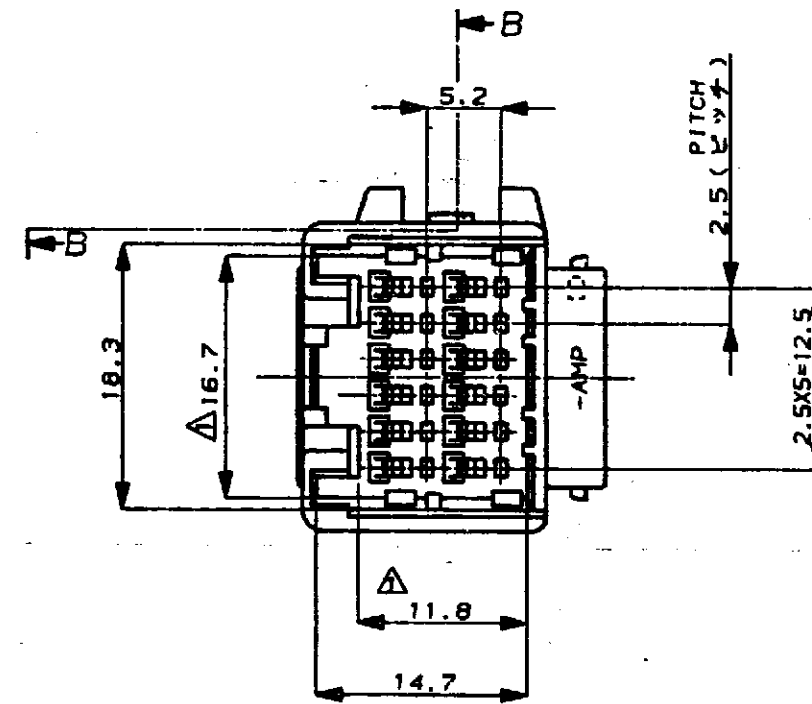
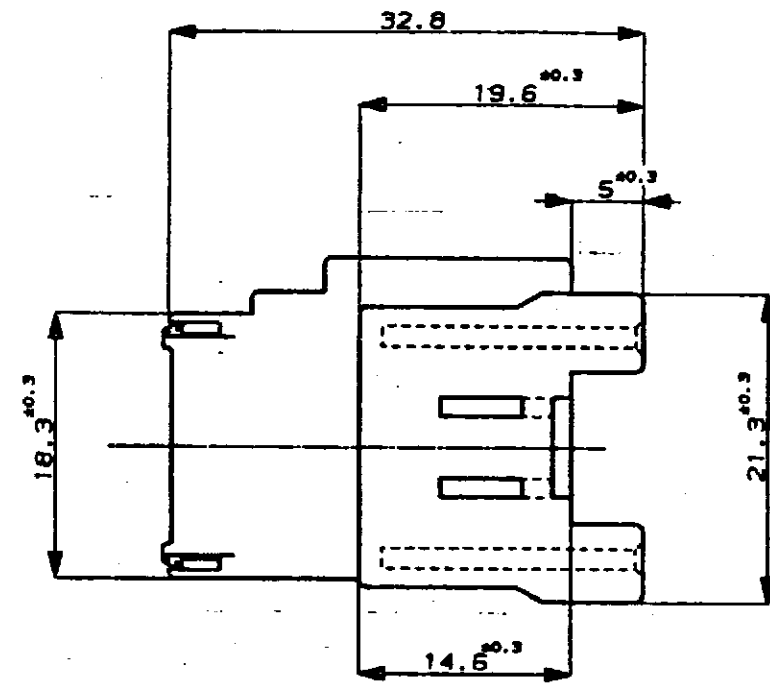
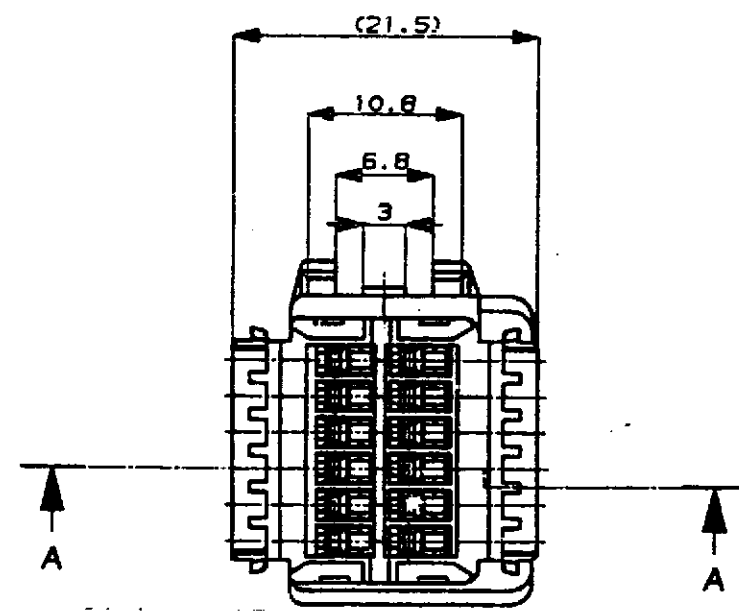


NUMBER C-17405B

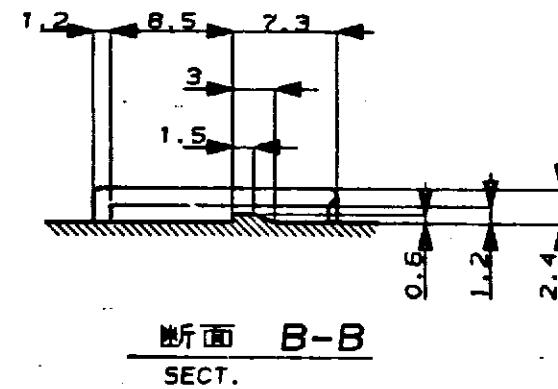
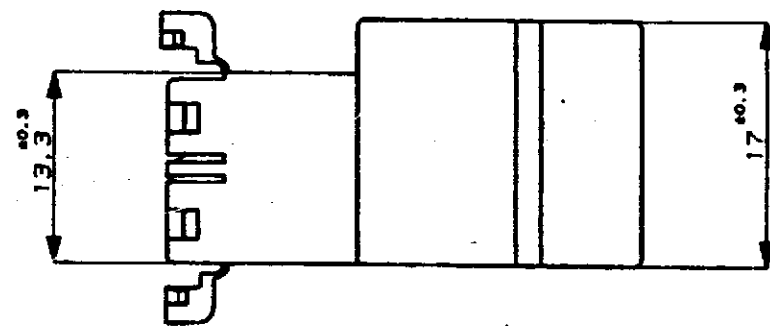


METRIC



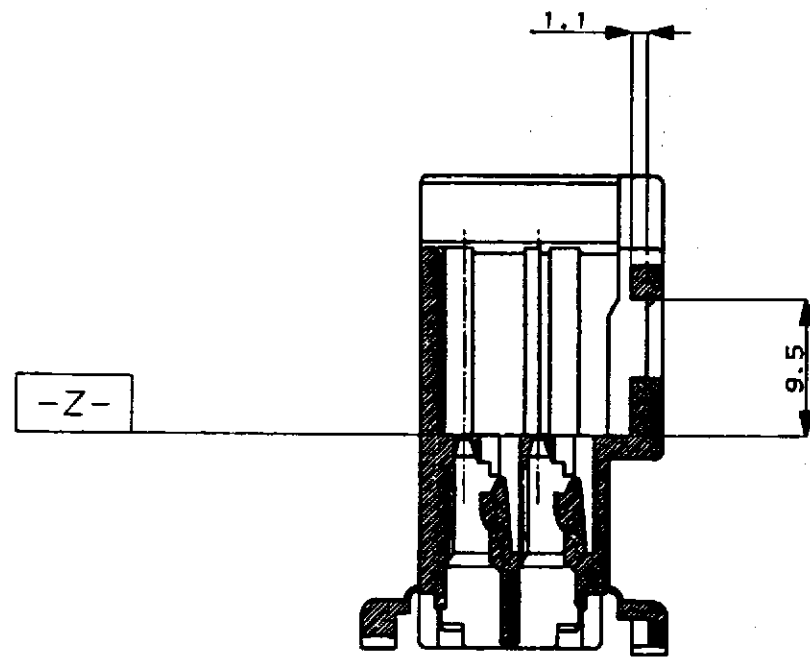
NOTES:

- 1 TO BE MEASURED WITHIN 2mm FROM **-Z-**
- 2 APPLICABLE TERMINAL NO.: 173682.

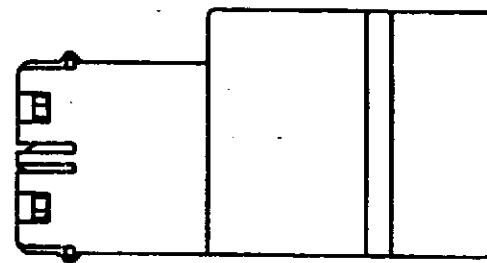


注:

- 1 **-Z-** 面から 2mmの範囲で測定。
- 2 適用端子型番 : 173682



断面 A-A  
SECT.



二重ロック時  
DOUBLE LOCKED

青 (BLUE)	17405B-5
緑 (GREEN)	17405B-4
黒 (BLACK)	17405B-2
色 (COLOR)	製品型番 (PART NO.)

Copyright ©1987 AMP (Japan), LTD. ALL RIGHTS RESERVED.		Copyright ©1987 AMP (Japan), LTD. ALL RIGHTS RESERVED.		<b>AMP</b> AMP (JAPAN), LTD. Tokyo, Japan	
WIRE RANGE # - # (AWG - )		INSULATION DIA # mm		NAME 12Pos. CAP HOUSING. "040" SERIES MULTI-LOCK CONN. 12極 キャップハウジング. 040シリーズ マルチロック コネクタ.	
MATERIAL PBT		FINISH SEE TABLE		GENERAL TOLERANCE 一般公差	
REVISED 変更 J-12463		DATE 10/25/88		SIZE LOC NUMBER A2 J	
作成 J-12157		T.S. M.D. DATE 11/6/88		NUMBER C-17405B	
LTP REVISION RECORD		DR CHK DATE 11/10/88		SCALE 2-1	
		CHK. M. OSHIMA		REV. A SHEET 1 OF 1	

CUSTOMER DRAWING

DIMENSIONS IN MILLIMETERS. DO NOT SCALE PRINT

PRINT DIST