

NOTES: UNLESS OTHERWISE SPECIFIED

1. MATERIAL:

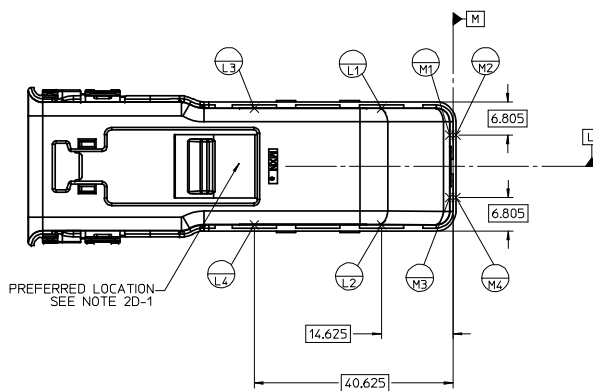
- A. RESIN: PBT, G.F. 30%  
20% MAX. REGRIND (BY WEIGHT)
- B. COLOR: SEE TABLE

2. DESIGN - GENERAL:

- A. THIS IS A 100% CAD GENERATED PART. THE CAD MATHEMATICAL DATA IS THE MASTER FOR THIS PART. FOR DIMENSIONAL OR ANY INFORMATION NOT SHOWN ON THIS DRAWING, ANALYZE THE CAD MODEL.
- B. TOLERANCES:
  - a. LINEAR X.X ± 0.30  
X.XX ± 0.10  
X.XXX ± 0.10
  - b. ANGULAR X° ± 3.0°
- C. CORNERS SHOWN AS SHARP TO BE R 0.2 MAX.
- D-1. FOLLOWING PRODUCTION CODES TO BE PRESENT
  - a. DATE CODE
  - b. CAVITY ID
- E-1. PARTS MUST BE FREE OF DISCOLORATION, SALT RESIDUE AND OTHER IMPERFECTIONS THAT AFFECT FIT OR FUNCTION.
- E-2. SCRATCHES OR DENTS NOT TO EXCEED 0.13mm IN DEPTH.
- F. CHANGES IN DESIGN FROM PART PREVIOUSLY APPROVED REQUIRES PRIOR ENGINEERING APPROVAL. THIS INCLUDES BUT IS NOT LIMITED TO DRAFT, MATERIAL OR PROCESSING.

3. DESIGN - MANUFACTURING:

- A. DRAFT TO BE WITHIN TOLERANCE.
- B. ALLOWABLE FLASH 0.2 MAX HIGH X 0.13 MAX THICK.
- C. ALLOWABLE PARTING LINE MISMATCH 0.2 MAX.
- D. EJECTOR PINS MARK TO BE FLUSH TO 0.25 MAX DEPRESSED.
- E. ALLOWABLE GATE VESTIGE TO BE FLUSH TO 0.25 MAX PROTRUSION.



PREFERRED LOCATION SEE NOTE 2D-1

AUTOMATION ENGINEERING FUNCTIONAL ASSEMBLY: 0  
 CUSTOMER FUNCTIONAL CUSTOMER: 0  
 PRODUCT ENGINEERING FUNCTIONAL PRODUCT: 1

34565-0003	D	BLACK	SALEABLE
<b>MATERIAL NO.</b>	<b>MATERIAL REV</b>	<b>COLOR</b>	<b>STATUS</b>
D3			RELEASED INTO ONE-SPACE FROM PRO-E
REV			DESCRIPTION

ENTER DESCRIPTION IEC NO: UAU2008-0708 DRAWN BY: SRAJENDRANAT 2008/05/05 CHKD: SK IVER 2008/05/05 APPR: VKOSHY 2008/05/05	QUALITY SYMBOLS	GENERAL TOLERANCES (UNLESS SPECIFIED)	DIMENSION STYLE	SCALE	DESIGN UNITS	THIRD ANGLE
	▽=0 ▽=0	mm    INCH 4 PLACES ± --- ± --- 3 PLACES ± --- ± --- 2 PLACES ± --- ± --- 1 PLACE ± --- ± --- ANGULAR ± ---°	MM ONLY DRAWN BY DATE SRAJENDRANAT 2008/05/02 CHECKED BY DATE TSK IVER 2008/05/02 APPROVED BY DATE VKOSHY 2008/05/02	2:1	METRIC	THIRD ANGLE PROJECTION
D3	DRAFT WHERE APPLICABLE MUST REMAIN WITHIN DIMENSIONS	MATERIAL NO. AS NOTED	DOCUMENT NO. SD-34565-001	MOLEX INCORPORATED	SHEET NO. 1 OF 1	TITLE MX123 73/80 CKT DRESS COVER