



Product information CM 02 D 14S

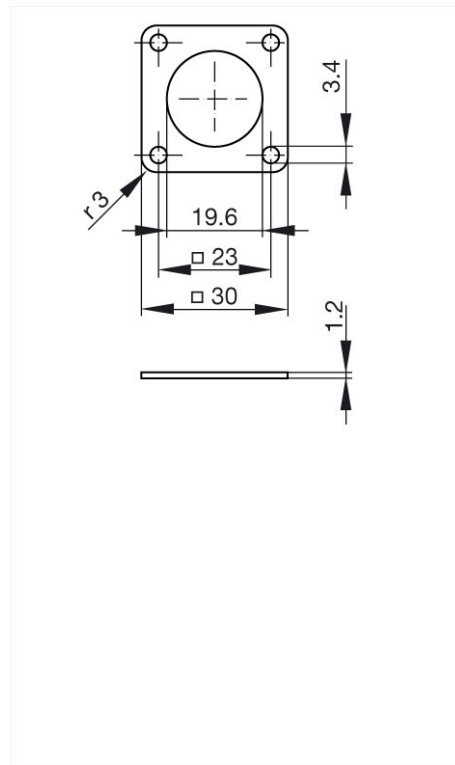
Industrial Connecting Solutions: Circular Connectors: MIL, DIN, Universal Connectors: MIL-C-5015 or VG 95342 Connectors (CM series): Accessories CM-series: CM 02 D 14S

<https://catalog.beldensolutions.com:443/link/57078-24228-256281-256284-24363-24366-36160/en/conf/uistate>

Name	CM 02 D 14S
	Gasket, NBR (nitrile rubber)
Delivery informations	
Availability	available
Product description	
Description	Gasket, NBR (nitrile rubber)
Type	CM 02 D 14S
Order No.	733 321-002
Housing Color	brown
Material	
O-Ring	NBR (nitrile rubber)
Environmental conditions	
Temperature range	-40 °C to +90 °C
Packing unit	
Packaging unit	100 pieces
Scope of delivery and accessories	
Scope of delivery	1 flat gasket
Accessories to order separately	can be plugged into CM 02 E 14S-..., CM 02 L 14S-...

Picture

Drawing





HIRSCHMANN

A **BELDEN** BRAND

Belden Deutschland GmbH

Im Gewerbepark 2

58579 Schalksmühle

Germany

Phone: +49 7127/14-1806

E-Mail: icos-sales@belden.com

The information published in the websites has been compiled as carefully as possible. It is subject to alteration without notice in technical as well as in price-related/commercial respect. The complete information and data were available on user documentation. Mandatory information can only be obtained by a concrete query.