



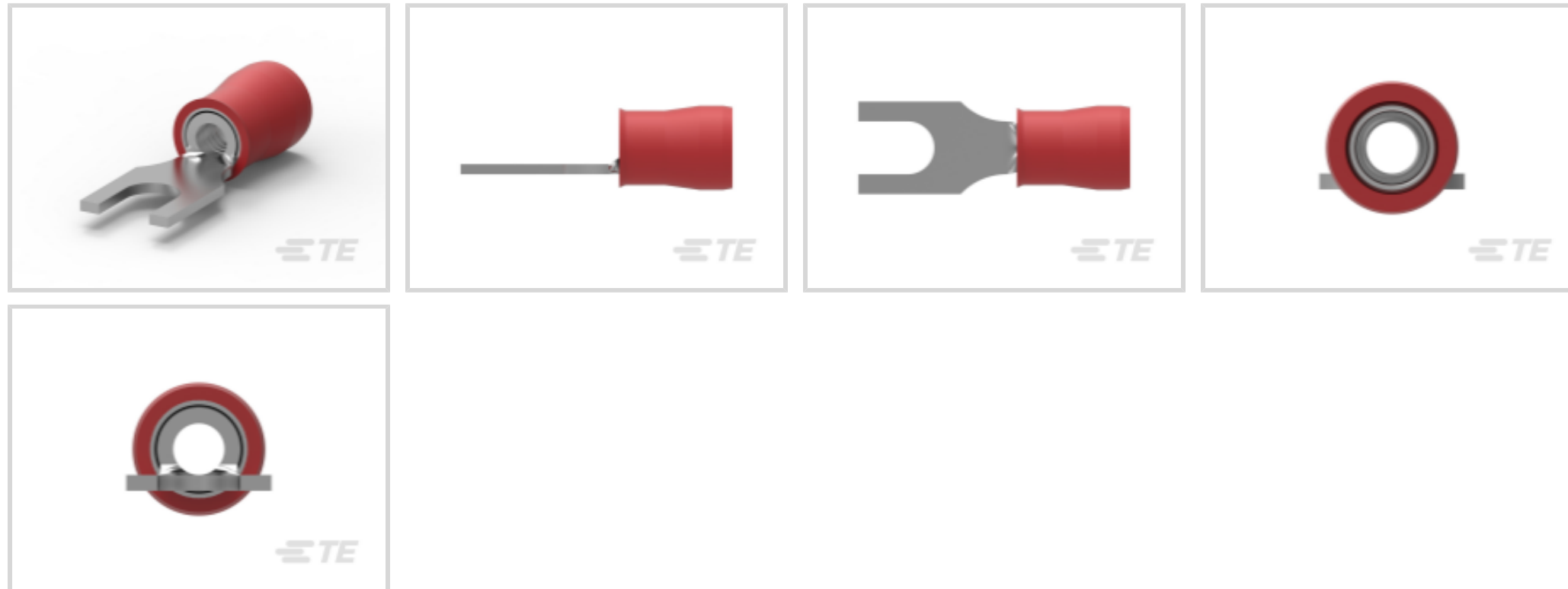
PIDG

TE Internal #: 8-328394-1

Spade Tongue Terminal, 22 – 16 AWG, #2 / M2 Stud, 2.36 mm [.093 in] Stud Diameter, Closed Barrel, Straight, Tin Plating, Partially Insulated, PIDG

[View on TE.com >](#)

Terminals & Splices > Spade Terminals > PIDG Spade Tongue Terminals



Spade Terminal Type: **Spade Tongue Terminal**

Wire Size: **509 – 3260 CMA**

Stud Size: **#2, M2**

[All PIDG Spade Tongue Terminals \(63\)](#)

Features

Product Type Features

Stud Size	#2, M2
Sealable	No
Wire Insulation Support Retention Type	Insulation Support

Electrical Characteristics

Voltage Rating	300 V
----------------	-------

Body Features

Product Weight	.614 g
----------------	--------

Contact Features

Spade Terminal Type	Spade Tongue Terminal
Barrel Type	Closed
Terminal Orientation	Straight
Terminal Plating Material	Tin

Mechanical Attachment

--	--



Wire Insulation Support	With
-------------------------	------

Dimensions

Wire Size	509 – 3260 CMA
Stud Diameter	2.36 mm [.093 in]
Tongue Thickness	.79 mm [.031 in]
Product Length	18.47 mm [.727 in]
Compatible Insulation Diameter (Max)	3.56 mm [.14 in]
Compatible Insulation Diameter Range	2.67 – 3.56 mm [.105 – .14 in]

Usage Conditions

Insulation Option	Partially Insulated
Operating Temperature Range	0 – 105 °C [0 – 221 °F]

Operation/Application

Compatible With Wire Base Material	Copper
Compatible With Wire Plating Material	Tin

Industry Standards

Government Qualified Terminal	No
-------------------------------	----

Packaging Features

Packaging Quantity	100
Packaging Method	Loose Piece

Product Compliance

[For compliance documentation, visit the product page on TE.com>](#)

EU RoHS Directive 2011/65/EU	Compliant
EU ELV Directive 2000/53/EC	Compliant
China RoHS 2 Directive MIIT Order No 32, 2016	有害物质含量符合标准要求 No Restricted Substance(s) Above Threshold
EU REACH Regulation (EC) No. 1907/2006	Current ECHA Candidate List: JUNE 2025 (250) Candidate List Declared Against: JUNE 2025 (250) Does not contain REACH SVHC
Halogen Content	Low Halogen - Br, Cl, F < 900 ppm per homogenous material. Also BFR/CFR/PVC Free
Solder Process Capability	Not applicable for solder process capability

Product Compliance Disclaimer

This information is provided based on reasonable inquiry of our suppliers and represents our current actual knowledge based on the information they provided. This information is subject to change. The part numbers that TE has identified as EU RoHS compliant have a maximum concentration of 0.1% by weight in homogenous materials for lead, hexavalent chromium, mercury, PBB, PBDE, DBP, BBP, DEHP, DIBP, and 0.01% for cadmium, or qualify for an exemption to these limits as defined in the Annexes of Directive 2011/65/EU (RoHS2). Finished electrical and electronic equipment products will be CE marked as required by Directive 2011/65/EU. Components may not be CE marked. Additionally, the part numbers that TE has identified as EU ELV compliant have a maximum concentration of 0.1% by weight in homogenous materials for lead, hexavalent chromium, and mercury, and 0.01% for cadmium, or qualify for an exemption to these limits as defined in the Annexes of Directive 2000/53/EC (ELV). Regarding the REACH Regulation, the information TE provides on SVHC in articles for this part number is based on the latest European Chemicals Agency (ECHA) 'Guidance on requirements for substances in articles' posted at this URL: <https://echa.europa.eu/guidance-documents/guidance-on-reach>

Compatible Parts



TE Part # 169404
CERTI-LOK DIE



TE Part # 47386
DAHT PG PIDG 26-16 ASSY




TE Part # 58423-1
DIE, RBY IS9252



TE Part # 58433-3
PRO CR ASSY, RBY IS9252

Also in the Series | PIDG




Compression Connectors(50)




Crimp Wire Pins, Tabs & Ferrules(39)



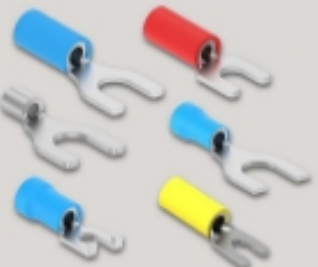
Knife Disconnects(11)




Quick Disconnects(38)



Ring Terminals(587)



Spade Terminals(228)

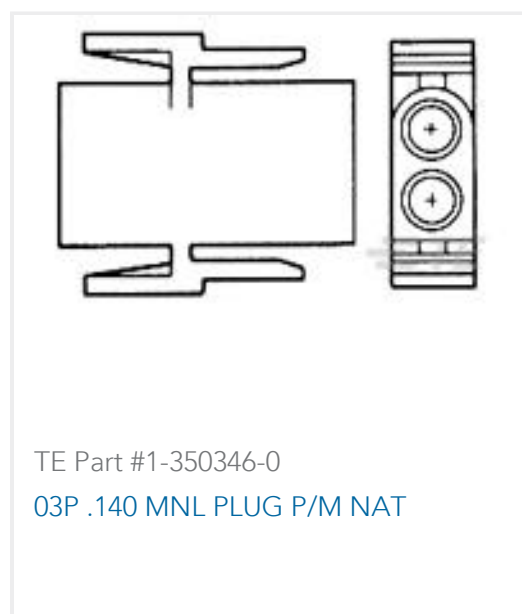


Special Purpose Terminals(1)

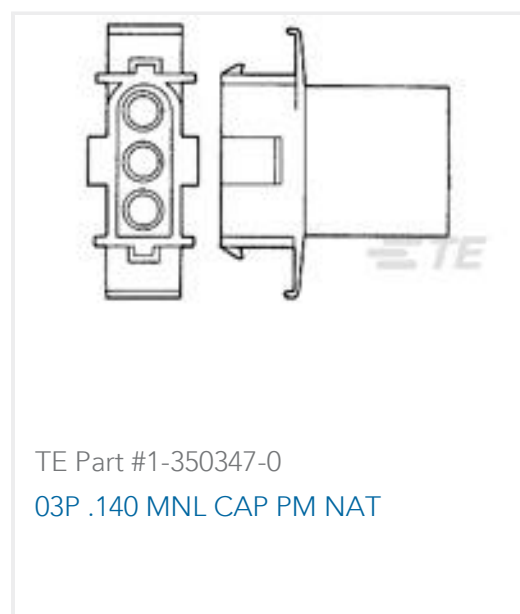


Splices(41)

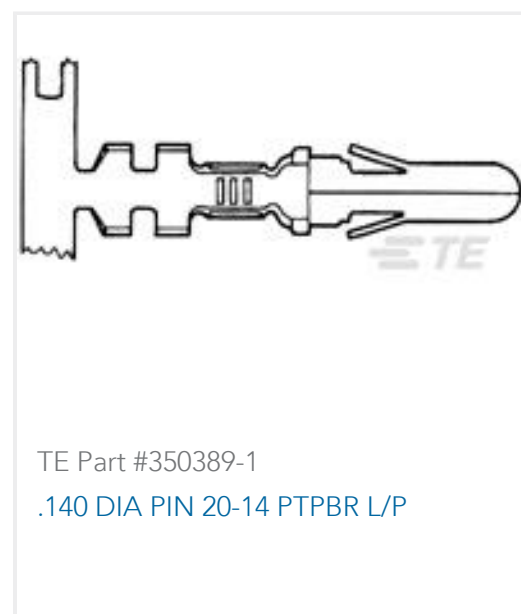
Customers Also Bought



TE Part #1-350346-0
03P .140 MNL PLUG P/M NAT



TE Part #1-350347-0
03P .140 MNL CAP PM NAT



TE Part #350389-1
.140 DIA PIN 20-14 PTPBR L/P



TE Part #2-1393237-8
RT424012F



TE Part #5-1393239-5
RT214024



TE Part #1393243-4
RTE24012



TE Part #1825422-1
TRD13D10QC04 rocker switch



TE Part #3-1879355-8
RR03 5% 150K AMMO



TE Part #5499922-5
A/L UNIV HDR 24P VERT LAT



TE Part #1478884-3
METRIC EMC GLAND M20X1.5

Documents

Product Drawings

[PIDG SPD 22-16COMM 22-18MIL 2](#)

English

CAD Files

[3D PDF](#)

English

Customer View Model

[ENG_CVM_8-328394-1_G.3d_igs.zip](#)

English

Customer View Model

[ENG_CVM_8-328394-1_G.3d_stp.zip](#)

English

Customer View Model

[ENG_CVM_8-328394-1_G.2d_dxf.zip](#)

English

[3D PDF](#)

3D



Customer View Model

[ENG_CVM_CVM_8-328394-1_E.2d_dxf.zip](#)

English

Customer View Model

[ENG_CVM_CVM_8-328394-1_E.3d_igs.zip](#)

English

Customer View Model

[ENG_CVM_CVM_8-328394-1_E.3d_stp.zip](#)

English

By downloading the CAD file I accept and agree to the [Terms and Conditions](#) of use.

Product Specifications

[Application Specification](#)

English

Instruction Sheets

[Instruction Sheet \(U.S.\)](#)

English