

Type 2 surge protection plug - VAL-SEC-T2-GDT-400DC-P - 1052632

Please be informed that the data shown in this PDF Document is generated from our Online Catalog. Please find the complete data in the user's documentation. Our General Terms of Use for Downloads are valid (<http://phoenixcontact.com/download>)




Replacement plug for surge protective devices from the VALVETRAB SEC product range for DC power sources. Protection of the path to the ground for 48 und 120 V DC.



COMPLIANT

Key Commercial Data

Packing unit	1 pc
GTIN	 4 0 5 5 6 2 6 6 7 6 5 4 8
GTIN	4055626676548
Weight per Piece (excluding packing)	50.400 g
Custom tariff number	85363030
Country of origin	Germany
Note	Made to Order (non-returnable)

Technical data

Dimensions

Height	46.4 mm
Width	11.7 mm
Depth	59.4 mm
Horizontal pitch	0.6 Div.

Ambient conditions

Degree of protection	IP20
Ambient temperature (operation)	-40 °C ... 80 °C
Ambient temperature (storage/transport)	-40 °C ... 80 °C
Altitude	≤ 6000 m (amsl (above mean sea level))
Permissible humidity (operation)	5 % ... 95 %
Shock (operation)	30g (Half-sine / 11 ms / 3x ±X, ±Y, ±Z)
Vibration (operation)	5g (10 ... 500 Hz / 2.5 h / X, Y, Z)

General

Type 2 surge protection plug - VAL-SEC-T2-GDT-400DC-P - 1052632

Technical data

General

IEC test classification	II
	T2
EN type	T2
Mode of protection	(DC+/DC-) - PE
Mounting type	on base element
Color	light grey RAL 7035
Housing material	PA 6.6-FR 20 % GF
	PBT-FR
Degree of pollution	2
Flammability rating according to UL 94	V-0
Type	Male
Number of positions	1
Surge protection fault message	optical

Additional descriptions

Note	The VAL-SEC-T2-GDT-400DC-P protective plug (order No.: 1052632) is only to be used in series connection with a VAL-SEC-T2-48DC-P (order No.: 2907877) or VAL-SEC-T2- 120DC-P (order No.: 2907878). It is not designed for direct use on mains voltage.
	$U_{agn} \geq 300 \text{ V}$

Protective circuit

Residual current I_{PE}	$\leq 5 \mu\text{A}$
Nominal discharge current $I_n (8/20) \mu\text{s}$	20 kA
Maximum discharge current $I_{max} (8/20) \mu\text{s}$	40 kA
Voltage protection level U_p	$\leq 0.95 \text{ kV}$
Residual voltage U_{res}	$\leq 0.4 \text{ kV (at } I_n)$
	$\leq 0.4 \text{ kV (at } 10 \text{ kA)}$
	$\leq 0.4 \text{ kV (at } 5 \text{ kA)}$
	$\leq 0.4 \text{ kV (at } 4 \text{ kA)}$
	$\leq 0.4 \text{ kV (at } 2 \text{ kA)}$
Front of wave sparkover voltage at 6 kV (1.2/50) μs	$\leq 0.95 \text{ kV}$
Response time t_A	$\leq 100 \text{ ns}$

Connection data

Connection method	pluggable
-------------------	-----------

Standards and Regulations

Standards/regulations	IEC 61643-11 2011
	EN 61643-11 2012

Environmental Product Compliance

China RoHS	Environmentally friendly use period: unlimited = EFUP-e
	No hazardous substances above threshold values

Type 2 surge protection plug - VAL-SEC-T2-GDT-400DC-P - 1052632

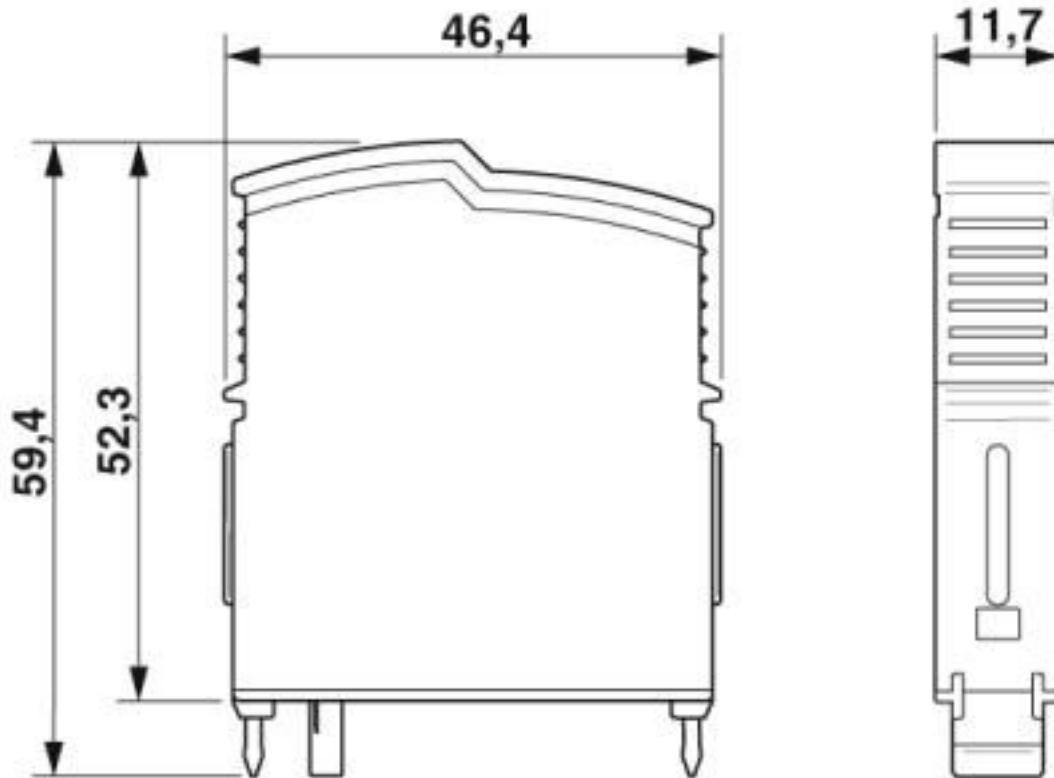
Drawings

Circuit diagram



Type 2 surge protection plug - VAL-SEC-T2-GDT-400DC-P - 1052632

Dimensional drawing



Classifications

eCl@ss

eCl@ss 10.0.1	27130890
eCl@ss 6.0	27130800
eCl@ss 7.0	27130890
eCl@ss 8.0	27130890
eCl@ss 9.0	27130890

ETIM

ETIM 5.0	EC002496
ETIM 6.0	EC002497
ETIM 7.0	EC002497

Accessories

Accessories

Device marking

Type 2 surge protection plug - VAL-SEC-T2-GDT-400DC-P - 1052632

Accessories

Label - EML (20XE)R - 0803452



Label, Roll, white, unlabeled, can be labeled with: THERMOMARK ROLLMASTER 300/600, THERMOMARK X1.2, THERMOMARK ROLL X1, THERMOMARK ROLL 2.0, THERMOMARK ROLL, mounting type: adhesive, lettering field size: continuous x 20#mm

Label - EML (20XE)R YE - 0803453



Label, Roll, yellow, unlabeled, can be labeled with: THERMOMARK ROLLMASTER 300/600, THERMOMARK X1.2, THERMOMARK ROLL X1, THERMOMARK ROLL 2.0, THERMOMARK ROLL, mounting type: adhesive, lettering field size: continuous x 20#mm

Marker pen

Marker pen - X-PEN 0,35 - 0811228



Marker pen without ink cartridge, for manual labeling of markers, labeling extremely wipe-proof, line thickness 0.35 mm
