

## Valves - Series MCO

Product code: MCO 706-1/4

Datasheet creation date: 11/12/2025 08:12

Check the most updated document online [click here](#)

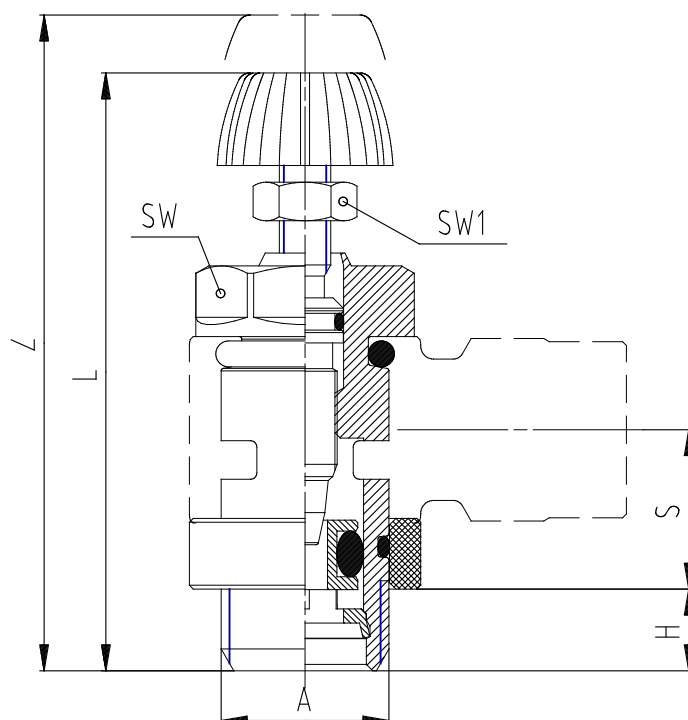


### TECHNICAL DATA

Mod.	MCO 706-1/4
------	-------------

## Valves - Series MCO

Product code: MCO 706-1/4



### **DIMENSIONS**

<b>A</b>	1/4
<b>H (mm)</b>	6.0
<b>L (mm)</b>	43.5
<b>S (mm)</b>	12.5
<b>SW (mm)</b>	15
<b>SW1 (mm)</b>	7.0
<b>Z (mm)</b>	49.0
<b>M (mm)</b>	-