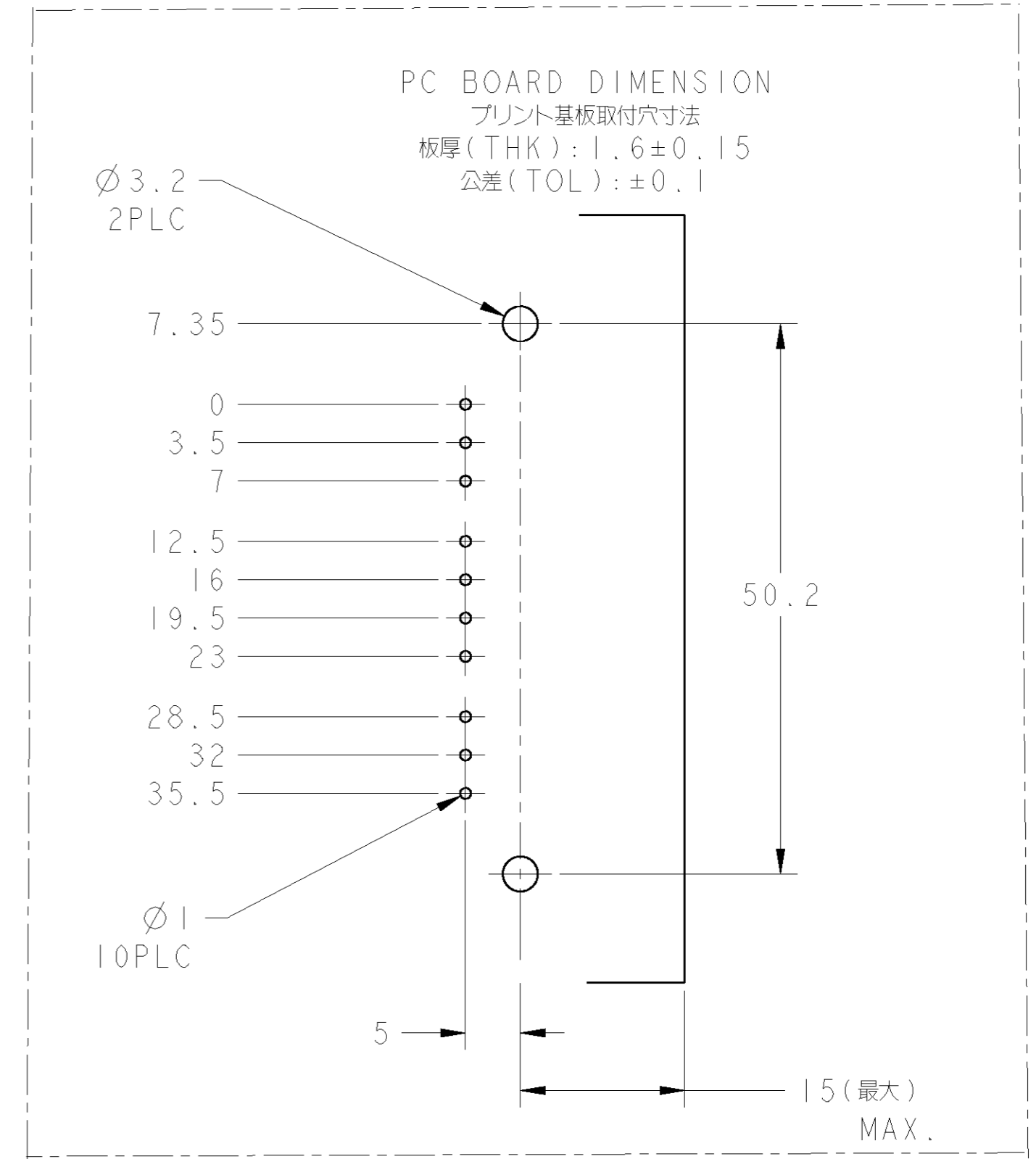
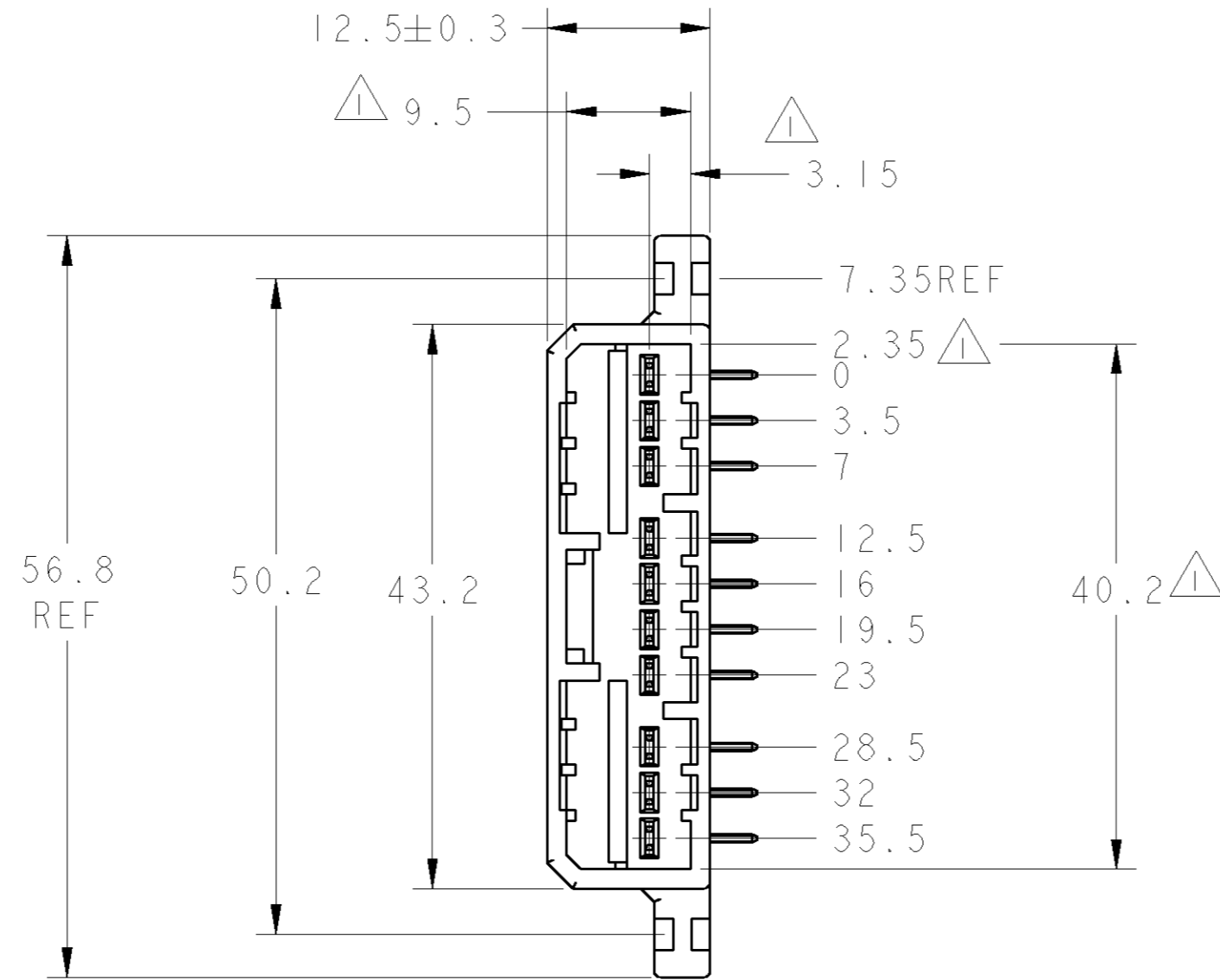
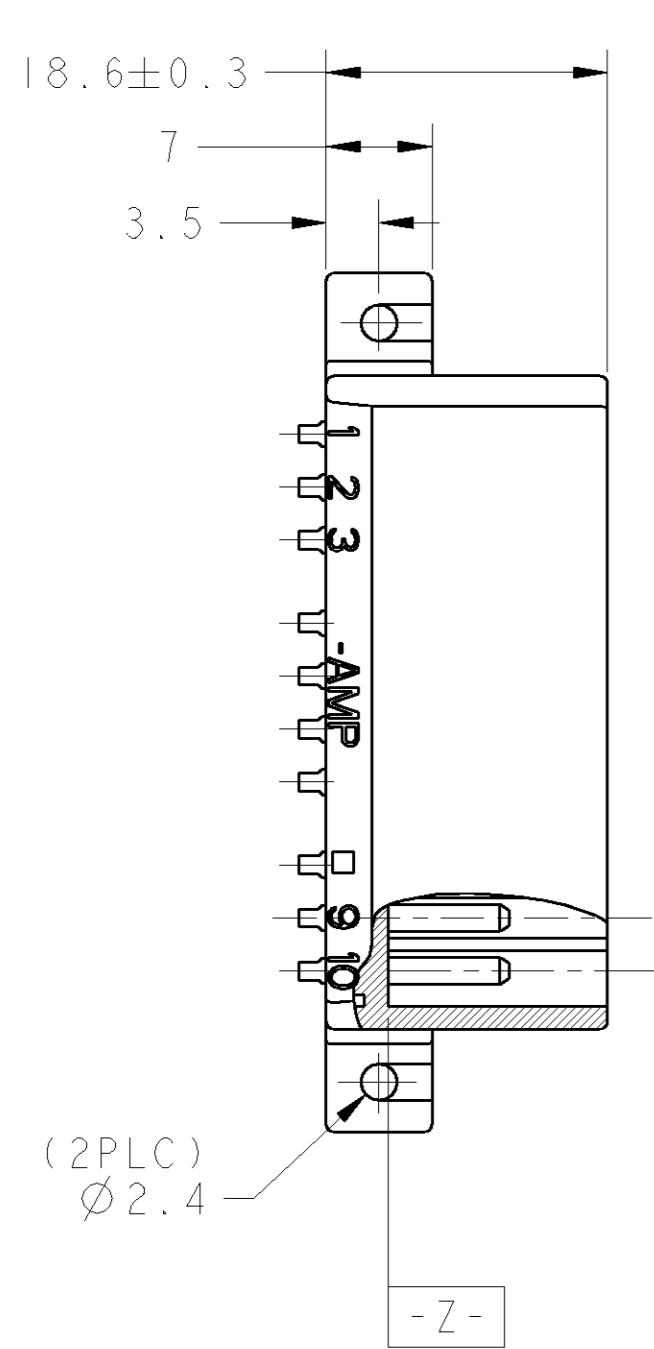


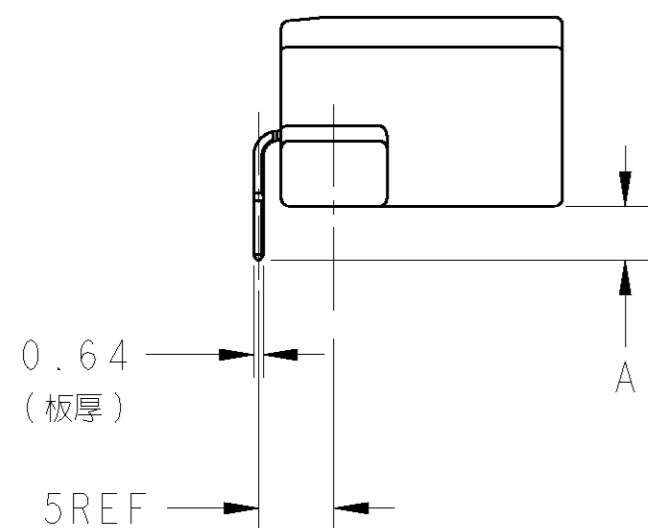
THIS DRAWING IS UNPUBLISHED. RELEASED FOR PUBLICATION 20
 © COPYRIGHT 20 BY TYCO ELECTRONICS CORPORATION. ALL RIGHTS RESERVED.

LOC	DIST	REVISIONS						
J	-	P	LTR	DESCRIPTION	ECN	DATE	DWN	APVD
		B1		NEW PARTS ADD	FJA0-0490-04	18-Mar-05	S.S	Y.F
		C		REVISE	FJA0-0784-04	03DEC2004	S.Y	Y.F
		C1		NEW PARTS ADD	ECR-05-000740	18MAR2005	S.Y	Y.F



- △ MUST BE KEEP BETWEEN -Z- AND 2mm
- 2. THE MATING PLUG HSG PART NUMBER 174464
- 3. RECOMMENDED MOUNTING SCREW; 3mm DIA, 6mm LENGTH (MAX) PAN HED, CLAAS 2 TAPPING SCREW SPECIFIED IN JIS B1115, B1122

- △ -Z- 面より2mmの範囲で測定
- 2. 嵌合相手ハウジング型番: 174464
- 3. 奨励取付ねじ: JIS B1115, B1122 タッピングねじ, なべ2種 呼び径3, 長さ6mm以下 (締付トルク: 0.392N・m以下)



一般公差
 GENERAL TOLERANCE
 0<W<10: ±0.2
 10<W<30: ±0.25
 30<W<100: ±0.3
 ANGLES : 3°

3.5±0.3	緑色 (GREEN)	錫めっき済み (PRE-TINNED)	174467-7
	黒色 (BLACK)	錫めっき済み (PRE-TINNED)	174467-5
	灰色 (GRAY)	錫めっき済み (PRE-TINNED)	174467-3
4±0.5	白色 (WHITE)	錫めっき済み (PRE-TINNED)	174467-2
	白色 (WHITE)	金めっき (SELECTIVE GOLD)	1-174467-1
	灰色 (GRAY)	錫めっき済み (PRE-TINNED)	174467-6
A	白色 (WHITE)	錫めっき済み (PRE-TINNED)	174467-1
	色 (COLOR)	コンタクト仕上げ (FINISH OF CONTACT)	型番 (P/N)

THIS DRAWING IS A CONTROLLED DOCUMENT FOR TYCO ELECTRONICS CORPORATION IT IS SUBJECT TO CHANGE AND THE CONTROLLING ENGINEERING ORGANIZATION SHOULD BE CONTACTED FOR THE LATEST REVISION.		DWN S. SAKAGUCHI 28 JUL 2004	Tyco Electronics AMP K.K. Kawasaki, Japan	
DIMENSIONS: 単位: 純 mm		CHK Y. FUJIWARA 28 JUL 2004	NAME 10 Pos. CAP HOUSING ASS'Y 070 SERIES MULTILOCK I/O CONN	
TOLERANCES UNLESS OTHERWISE SPECIFIED: 一般公差 ± 0 PLC ± 1 PLC ± 2 PLC ± 3 PLC ± 4 PLC ± ANGLES ±		APVD Y. FUJIWARA 28 JUL 2004	DRAWING NO 174467	
MATERIAL HSG, PBT CONT, BRASS		PRODUCT SPEC 108-5312	SIZE A2	RESTRICTED
SEE TABLE		APPLICATION SPEC 取付適用規格 114-5091, 5092	CAGE CODE 00779	SHEET OF 1
		WEIGHT 7.4g	DRAWING NO 174467	REV C1
		CUSTOMER DRAWING	SCALE 2:1	