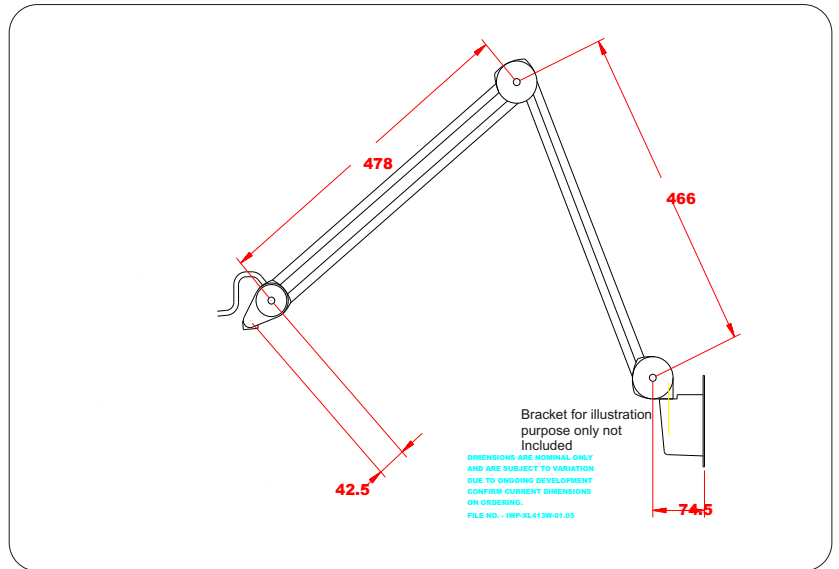
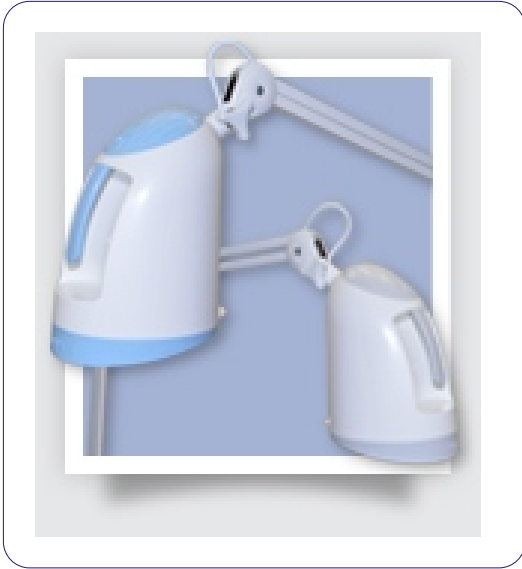




EDL Lighting Ltd



### Version XL4

### RS Order Code 702-5242 & 702-5245

The XL4 is the new ergonomically designed energy efficient patient light. It's purpose is to cover a spectrum of applications within the healthcare sector ranging from hospitals to doctor's surgeries

The XL4 embodies many unique features which ensure usability for both patients and medical staff

The white colour is enhanced by the colour co-ordinated options available

The shade is compiled from ABS mouldings incorporating anti-microbial properties, this can help in reducing the risk of cross contamination and subsequently infection control

Smooth surfaces facilitate effortless cleaning

Energy efficient ballasts

Dual aspect handles for ease of maneuverability (front & rear)

Cool Running and fully enclosed shade for safety assurance

Fully enclosed spring balanced arm assisting ease of movement although concurrently retaining set position

The shade neck enables the bi-directional movement of the shade in two planes

Lamp options 10w or 13w T/E Lamps for 702-5242 and 18w T/E lamp for 702-5245



Dimmable versions are can be made available (ballast is usually remote and located with nearby trunking)

Standard shade colours are:  
White / Grey or White / Blue with a white arm

EDL Lighting Limited, Redbrook lane, Brereton, Rugeley, Staffs WS15 1QU

Telephone: +44(0)1889 582112

Fax: +44(0)1889 584012

Email: sales@edl-lighting.co.uk Website www.edl-lighting.co.uk



EDL Lighting Ltd

Primary Voltage	240v	Manufacturing Standard:	BS.EN. 60598
Lamp type:	Osram Dulux T/E plus	RHOS Compliant:	Yes
Wattage	10/13w or 18w	WEE Compliant:	Yes
Lamp Base:	10/13w GX24-1 18w GX24-2	Powder Coating:	White RAL9010 with anti- microbial properties
Switch:	Yes - underside of head		
IP Rating:	IP20		
Base Type:	Spigot		
No of Arms:	2		
Length of Arms:	478mm + 466mm		
Shade Material:	ABS Plastic with anti- microbial properties and spun aluminium reflector		
Visor:	Incorporated with shade		
Shield Fitted:	Yes - Polycarbonate		
Joint Type:	Spring Balanced		
Trailing Cable:	Fitted		
Plug fitted:	No		

BHT Bracket  
for Rear Fixing  
(e.g. Trunking)

## Mounting Alternatives

BHTBP Bracket



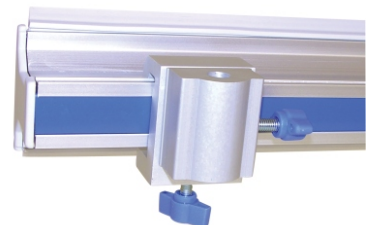
BHT Klik Bracket



A bracket



Medi Rail & Bracket



EDL Lighting Limited, Redbrook lane, Brereton, Rugeley, Staffs WS15 1QU

Telephone: +44(0)1889 582112

Fax: +44(0)1889 584012

Email: sales@edl-lighting.co.uk Website www.edl-lighting.co.uk