

Siemens
EcoTech



analog monitoring relay level monitoring resistance monitoring from 0.5 to 500 kohm overshoot and undershoot supply voltage 24 ... 240 V AC/DC, 50 .. 60 Hz 2-step or 1-step control tripping delay 0.5-30 s 1 changeover contact spring-loaded terminal

product brand name	SIRIUS
product designation	Level monitoring relay with analog setting
design of the product	level monitoring, externally supplied with auxiliary voltage
product type designation	3UG5
General technical data	
product function	analog setting level monitoring relay
display version LED	Yes
insulation voltage	
• rated value	300 V
• for overvoltage category III according to IEC 60664 with degree of pollution 3 rated value	300 V
degree of pollution	3
type of voltage	
• of the operating voltage for actuation	AC/DC
• of the control supply voltage	AC/DC
surge voltage resistance rated value	6 kV
protection class IP	
• of the enclosure	IP20
• of the terminal	IP20
shock resistance according to IEC 60068-2-27	sinusoidal half-wave 15g / 11 ms
vibration resistance according to IEC 60068-2-6	f = 4 ... 5,81 Hz, dmax = 15 mm; f = 5,81 ... 500 Hz, Amax = 20 m/s ² ; 10 cycles
mechanical service life (operating cycles) typical	10 000 000
electrical endurance (operating cycles) at AC-15 at 230 V typical	100 000
thermal current of the switching element with contacts maximum	5 A
reference code according to IEC 81346-2	K
Substance Prohibitance (Date)	06/01/2023
SVHC substance name	Lead - 7439-92-1 Lead monoxide (lead oxide) - 1317-36-8 2,2',6,6'-tetrabromo-4,4'-isopropylidenediphenol - 79-94-7
Net Weight	0.151 kg
Product Function	
product function	
• outlet monitoring adjustable	Yes
• adjustable responsiveness	Yes
• inlet monitoring adjustable	Yes
Control circuit/ Control	

control supply voltage at AC	
• at 50 Hz rated value	24 ... 240 V
• at 60 Hz rated value	24 ... 240 V
control supply voltage at DC rated value	24 ... 240 V
operating range factor control supply voltage rated value at DC	
• initial value	0.85
• full-scale value	1.1
operating range factor control supply voltage rated value at AC at 50 Hz	
• initial value	0.85
• full-scale value	1.1
operating range factor control supply voltage rated value at AC at 60 Hz	
• initial value	0.85
• full-scale value	1.1
Measuring circuit	
adjustable operating delay time	0.5 ... 30 s
adjustable response delay time	
• with lower or upper limit violation	0.5 ... 30 s
response time maximum	500 ms
physical measuring principle	conductive
Auxiliary circuit	
number of CO contacts	
• for auxiliary contacts	1
• delayed switching	1
Inputs/ Outputs	
number of inputs	2
ampacity of the output relay at AC-15	
• at 230 V at 50/60 Hz	3 A
• at 250 V at 50/60 Hz	3 A
• at 400 V at 50/60 Hz	3 A
ampacity of the output relay at DC-13	
• at 24 V	1 A
• at 125 V	0.2 A
• at 250 V	0.1 A
operational current at 17 V minimum	5 mA
continuous current of the DIAZED fuse link of the output relay	6 A
Galvanic isolation	
galvanic isolation	
• between input and output	Yes
• between the voltage supply and other circuits	Yes
Electrical Safety	
protection class IP on the front according to IEC 60529	IP20
Connections/ Terminals	
product component removable terminal for auxiliary and control circuit	Yes
type of electrical connection	spring-loaded terminal (push-in)
type of connectable conductor cross-sections	
• solid	1x (0.5 ... 4 mm ²)
• finely stranded with core end processing	1x (0.5 ... 2.5 mm ²)
• finely stranded without core end processing	0.5 ... 4 mm ²
• for AWG cables solid	1x (20 ... 12)
• for AWG cables stranded	20 ... 12
connectable conductor cross-section	
• solid	0.5 ... 4 mm ²
• finely stranded with core end processing	0.5 ... 2.5 mm ²
• finely stranded without core end processing	0.5 ... 4 mm ²
AWG number as coded connectable conductor cross	

section	
• solid	20 ... 12
• stranded	20 ... 12

Installation/ mounting/ dimensions

mounting position	any
fastening method	screw and snap-on mounting
height	100 mm
width	22.5 mm
depth	90 mm
required spacing	
• with side-by-side mounting	
— forwards	0 mm
— backwards	0 mm
— upwards	0 mm
— downwards	0 mm
— at the side	0 mm
• for grounded parts	
— forwards	0 mm
— backwards	0 mm
— upwards	0 mm
— at the side	0 mm
— downwards	0 mm
• for live parts	
— forwards	0 mm
— backwards	0 mm
— upwards	0 mm
— downwards	0 mm
— at the side	0 mm

Ambient conditions

installation altitude at height above sea level maximum	2 000 m
ambient temperature	
• during operation	-25 ... +60 °C
• during storage	-40 ... +80 °C
• during transport	-40 ... +80 °C

Approvals Certificates

Environment	General Product Approval
--------------------	---------------------------------



[Environmental Con-
firmations](#)



Test Certificates other

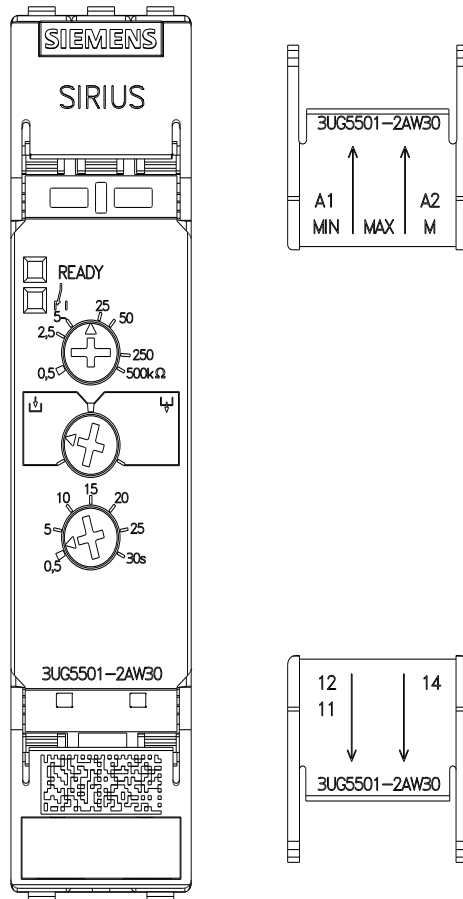
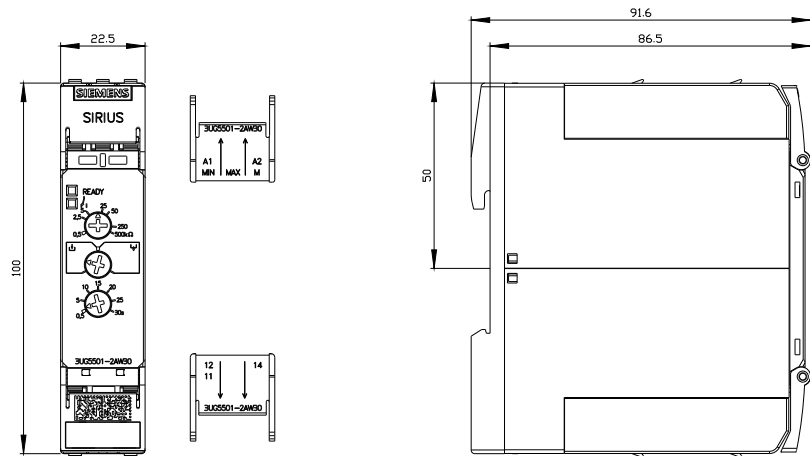
[Type Test Certificates/Test Report](#)

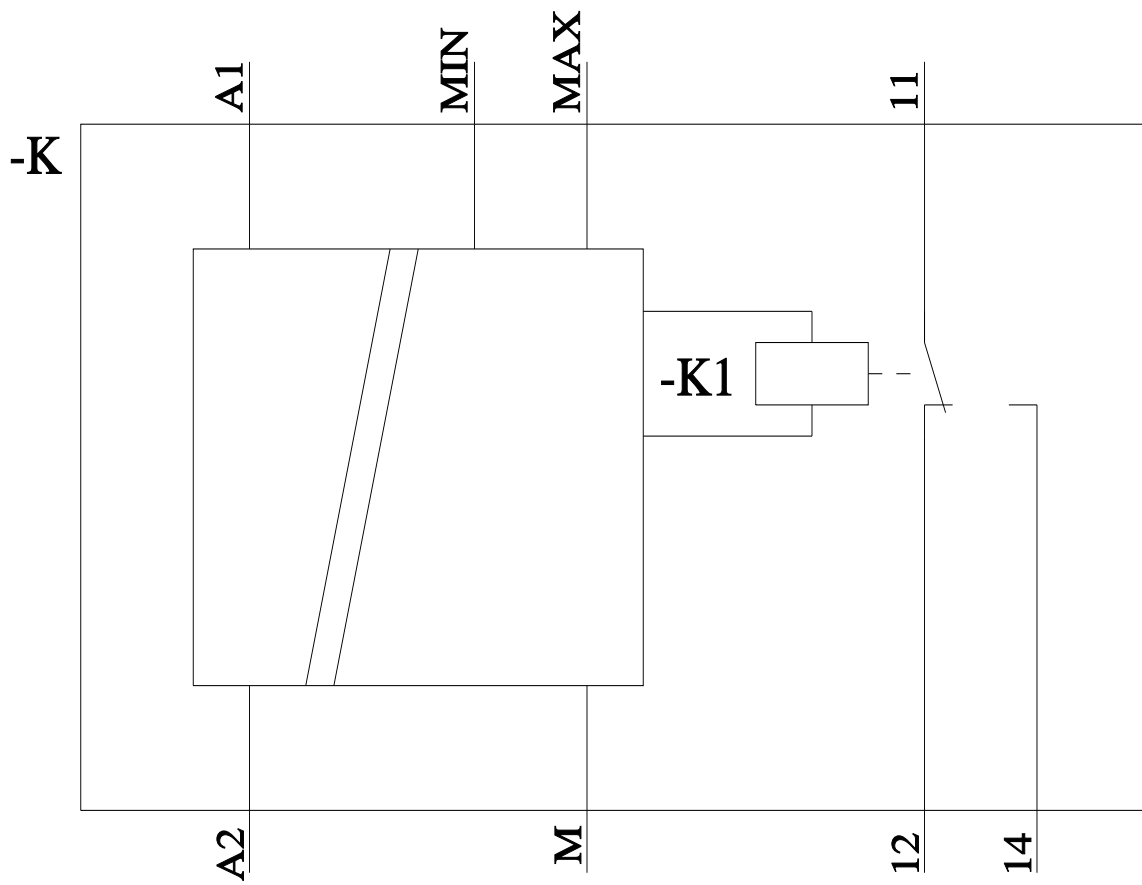
[Confirmation](#)



Further information

- Information on the packaging
<https://support.industry.siemens.com/cs/ww/en/view/109813875>
- Information for data generation and storage
<https://support.industry.siemens.com/cs/ww/en/view/109995012>
- Information- and Downloadcenter (Catalogs, Brochures,...)
<https://www.siemens.com/ic10>
- Industry Mall (Online ordering system)
<https://mall.industry.siemens.com/mall/en/en/Catalog/product?mlfb=3UG5501-2AW30>
- Cax online generator
<https://support.automation.siemens.com/WW/CAXorder/default.aspx?lang=en&mlfb=3UG5501-2AW30>
- Service&Support (Manuals, Certificates, Characteristics, FAQs,...)





last modified:

10/27/2025 