

## Datasheet

### SPST Panel Mount Off-(On) Push Button Switch

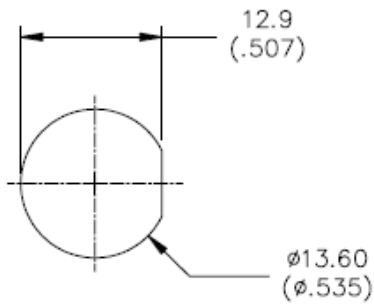
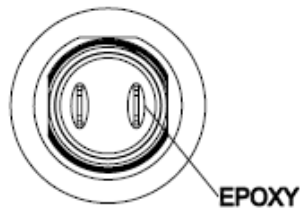
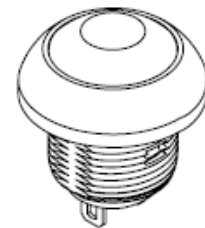
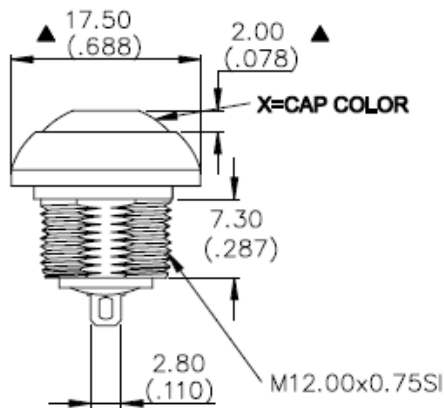
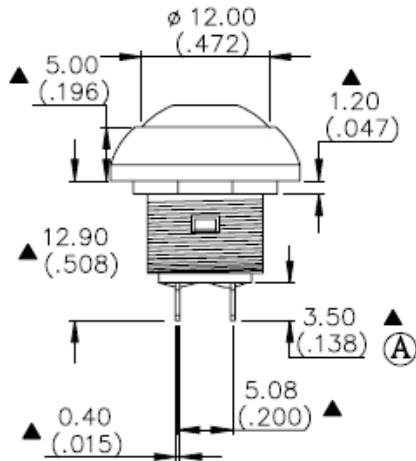
RS Stock number 734-6704





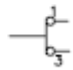
#### Specifications:

Max. current/voltage rating with resistive load	400mA 32VAC – 100mA 50VDC - 125mA 125VAC
Initial Contact Resistance:	50mΩ max.
Insulation Resistance:	1 GΩ min. at 500VDC
Dielectric Strength:	1,000VAC rms
Electrical Life at Full Load:	500,000 cycles
Panel Thickness:	1.5mm (.059)min. – 4mm(.157)max.
Total Travel:	1.5mm (.059)
Operating Force:	2N-5N
Contact Bounce:	10 ms
Mechanical Life:	1,000,000 cycles
Torque:	0.5Nm max. applied to nut
Soldering:	350°C max. for 5 seconds
Case:	Dially Phthalate (DAP)(UL94v-0)
Cap:	Polyamide 6/6
Bushing:	Polyamide 6/6
Terminal/Contacts:	Gold over silver plated
RoHS:	2002/95/EC

**Dimensions - mm**



Panel cut-out

	POS.1	POS.2
Model No.		
PAS6	<b>OFF</b>	<b>MOM</b>
Term. Comm.	<b>OPEN</b>	<b>SHORT</b>
SCHEMATIC		

SWITCH FUNCTION