

## Features

- Strong and durable zinc alloy construction
- 90-degree opening angle
- Retractable pins allow quick and easy removal of the door, giving improved access for maintenance
- Easy mounting with M5 metric bolts

## RS PRO Hinges

RS Stock No.: 0335169



RS Professionally Approved Products bring to you professional quality parts across all product categories. Our product range has been tested by engineers and provides a comparable quality to the leading brands without paying a premium price.

## Product Description

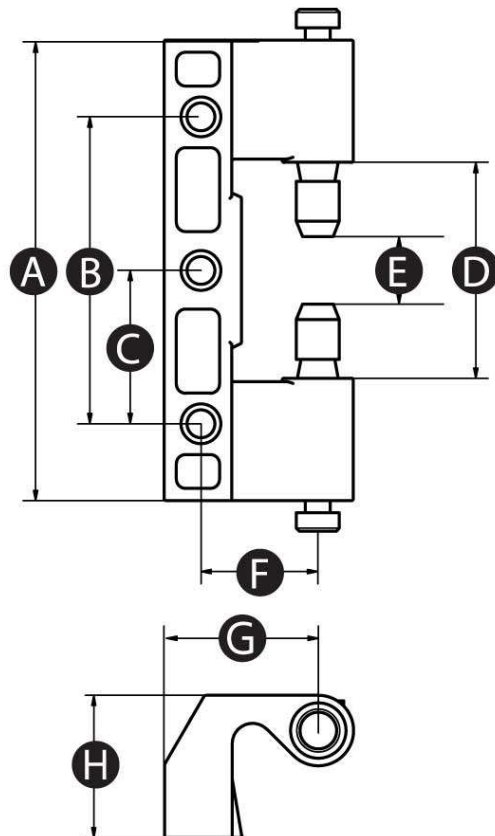
*Zinc alloy hinge with twin retractable pins. 90 degree opening angle. The retractable pins allow the door to be separated from the enclosure, giving improved access. Designed for use in industrial enclosures and cabinets.*

## General Specifications

<b>Length</b>	75mm
<b>Material</b>	Zinc Alloy
<b>Opening angle</b>	90 degrees
<b>Colour</b>	Black
<b>Application</b>	Enclosures, HVAC, machinery, equipment, construction industry
<b>Radial load (N)</b>	500
<b>Axial load (N)</b>	1500

## Mechanical Specifications

A	75
B	50
C	25
D	35
E	11
F	19
G	25
H	23
Thread size	M5



## Similar Products

Stock No.	Brand	Product Name	Length	Opening Angle
0335169	RS PRO	Zinc Alloy Concealed Hinge	75mm	90 degrees
0335168	RS PRO	Alu 6061 Concealed Hinge	75mm	90 degrees
0335170	RS PRO	Zinc plated steel hinge leaf for welding	35mm	-
0335171	RS PRO	Zinc plated steel hinge leaf for bolts	34.5mm	-