

4

3

2

1

THIS DRAWING IS UNPUBLISHED.

RELEASED FOR PUBLICATION

ALL RIGHTS RESERVED.

© COPYRIGHT - By -

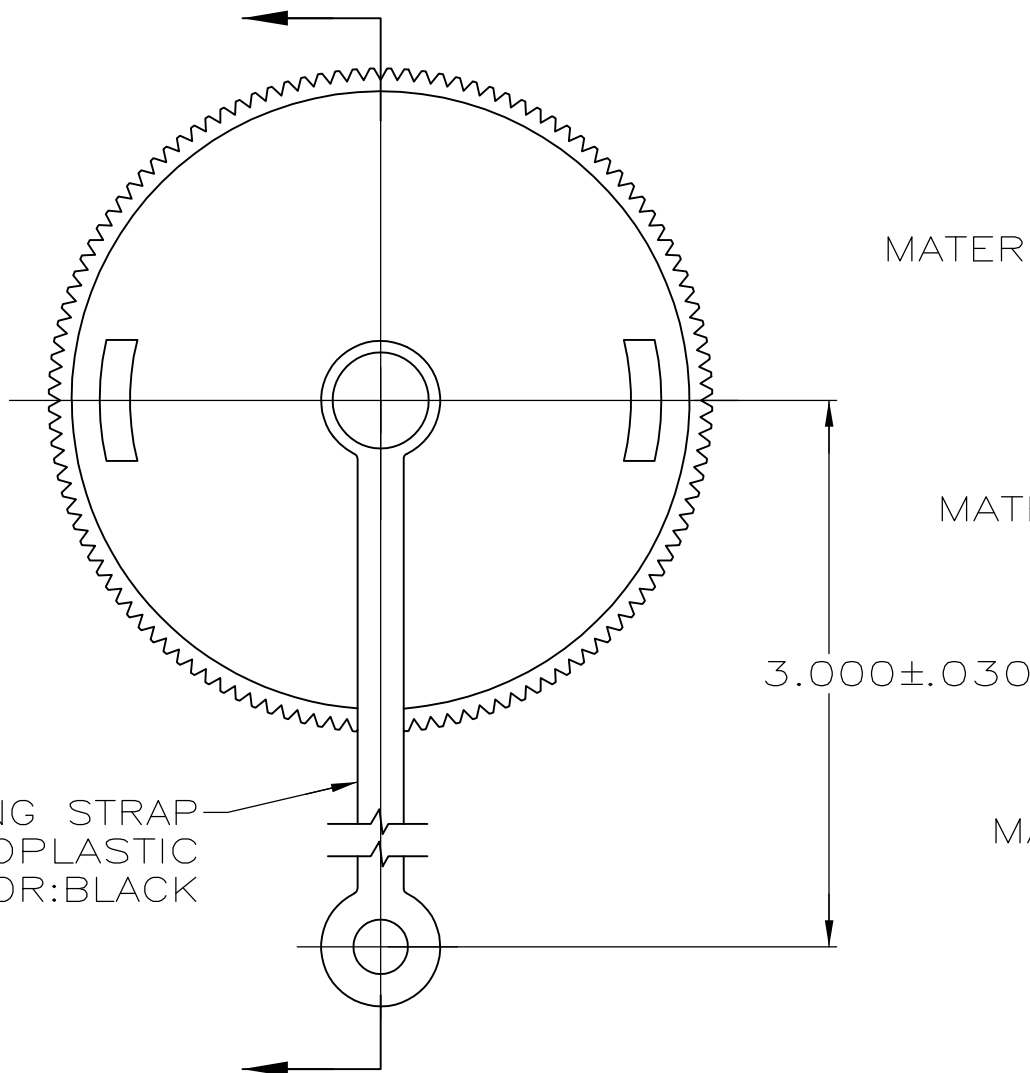
LOC
BD

DIST
35

REVISIONS

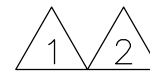
P	LTR	DESCRIPTION	DATE	DWN	APVD
G3		REVISED PER ECO-11-004917	11MAR11	RK	HMR

- 1 FINISH: ZINC PLATE WITH CLEAR CHROMATE
- 2 FINISH: ZINC PLATE WITH NON-HEXAVALENT CHROMATE



MOUNTING STRAP
MATERIAL:THERMOPLASTIC
COLOR:BLACK

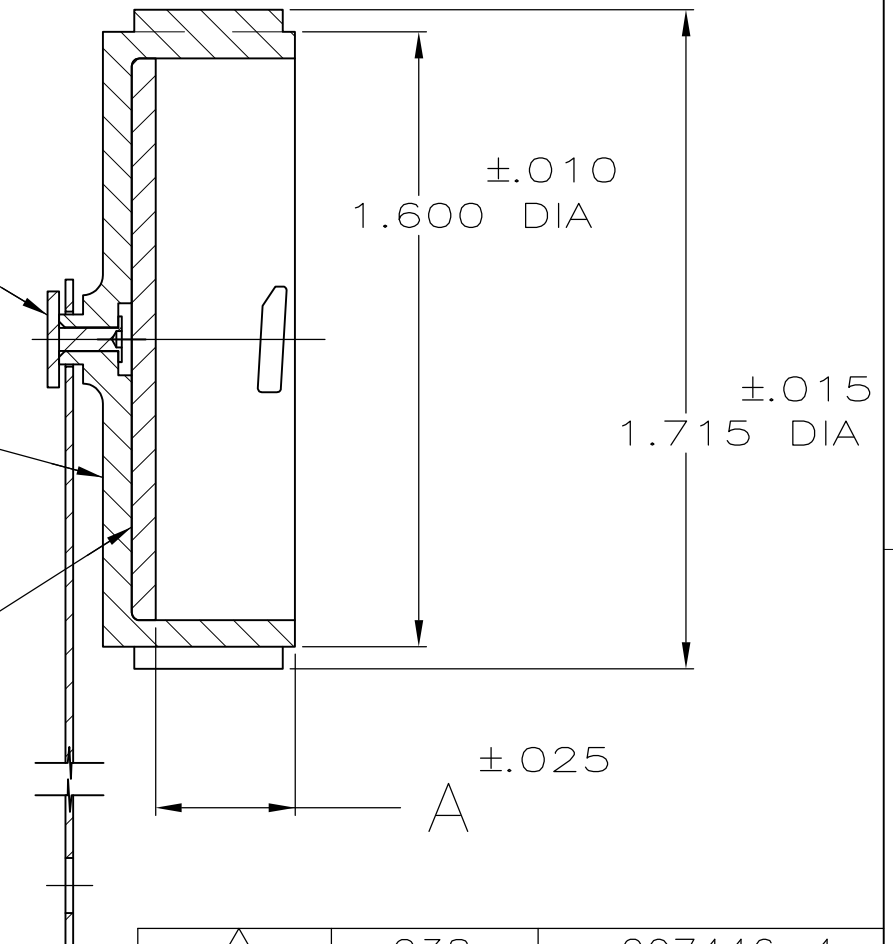
MATERIAL:CARBON



RIVET
STEEL

SEALING CAP
MATERIAL:THERMOPLASTIC
COLOR:BLACK

SEALING GASKET
MATERIAL:ELASTOMER
COLOR:BLACK



SUPERCEDED BY 207446-4
SUPERCEDED BY 207446-3

2	.238	207446-4
2	.363	207446-3
1	.238	207446-2
1	.363	207446-1
FINISH	A	PART NUMBER

THIS DRAWING IS A CONTROLLED DOCUMENT.		DWN S.RIDGLEY BG 8/1/90	STE TE Connectivity			
DIMENSIONS: INCHES		CHK R.STONE 4-26-91				
TOLERANCES UNLESS OTHERWISE SPECIFIED:		APVD K.BEAVER 4-30-91	NAME			
0 PLC ± -		PRODUCT SPEC	SEALING CAP ASSY, SIZE 23, CPC			
1 PLC ± -						
2 PLC ± -		APPLICATION SPEC	SIZE	CAGE CODE	DRAWING NO	RESTRICTED TO
3 PLC ± .005			A3	00779	C-207446	-
4 PLC ± -		WEIGHT	CUSTOMER DRAWING			
ANGLES ± -			SCALE	SHEET	REV	
MATERIAL SEE CALLOUTS		FINISH SEE CALLOUTS	2:1	1 OF 1	G3	