

**Ordering number C12473\_SIRI-A**

Family	Siri	FWHM	74+137 degrees
Type	Lens	Efficiency	95 %
LED	XT-E	cd/lm	0.300
Color	Clear	Gerber File	Available
Diameter	13.9 mm		
Height	4.2 mm		
Style	Square		
Optic Material	PMMA		
Holder Material	-		
Fastening	Pin, glue		
Status	Ready		

**Ordering number CA12474\_SIRI-A**

Family	Siri	FWHM	74+137 degrees
Type	Assembly	Efficiency	95 %
LED	XT-E	cd/lm	0.300
Color	Clear	Gerber File	Available
Diameter	13.9 mm		
Height	4.6 mm		
Style	Square		
Optic Material	PMMA		
Holder Material	-		
Fastening	Pin, tape		
Status	Ready		

**NOTE: The typical divergence will be changed by different color, chip size and chip position tolerance. The typical total divergence is the full angle measured where the luminous intensity is half of the peak value.**



## PRODUCT DATASHEET

### Siri series

last update 21/11/2012

#### GENERAL INFORMATION

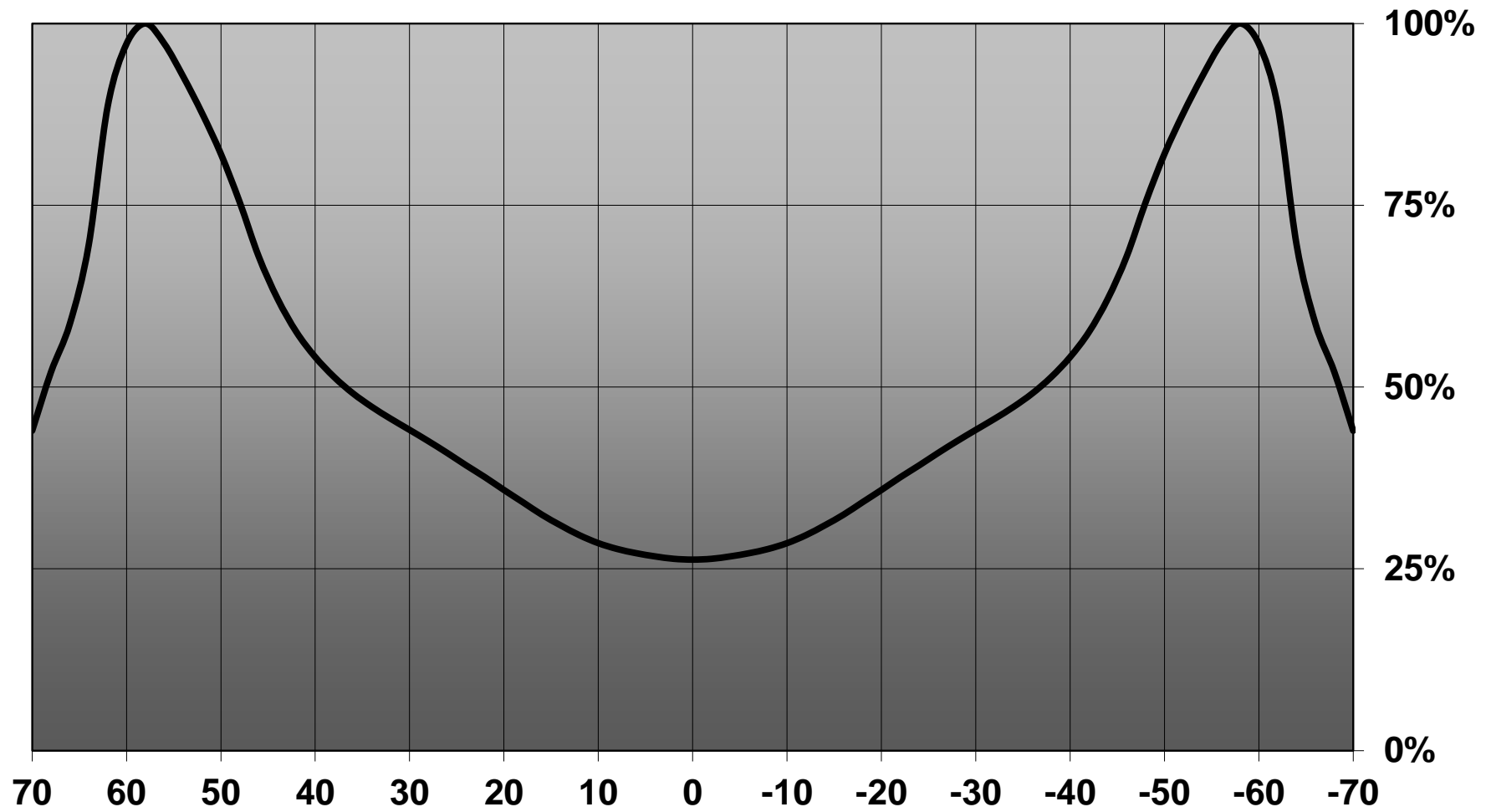
- Product series especially designed & optimized for XT-E series of LEDs.
- Special care taken to make light distribution as uniform as possible.
- Lens material optical grade PMMA with high UV and temperature resistance. Allows use of high current and temperature conditions.

Please find more information about used material from below:

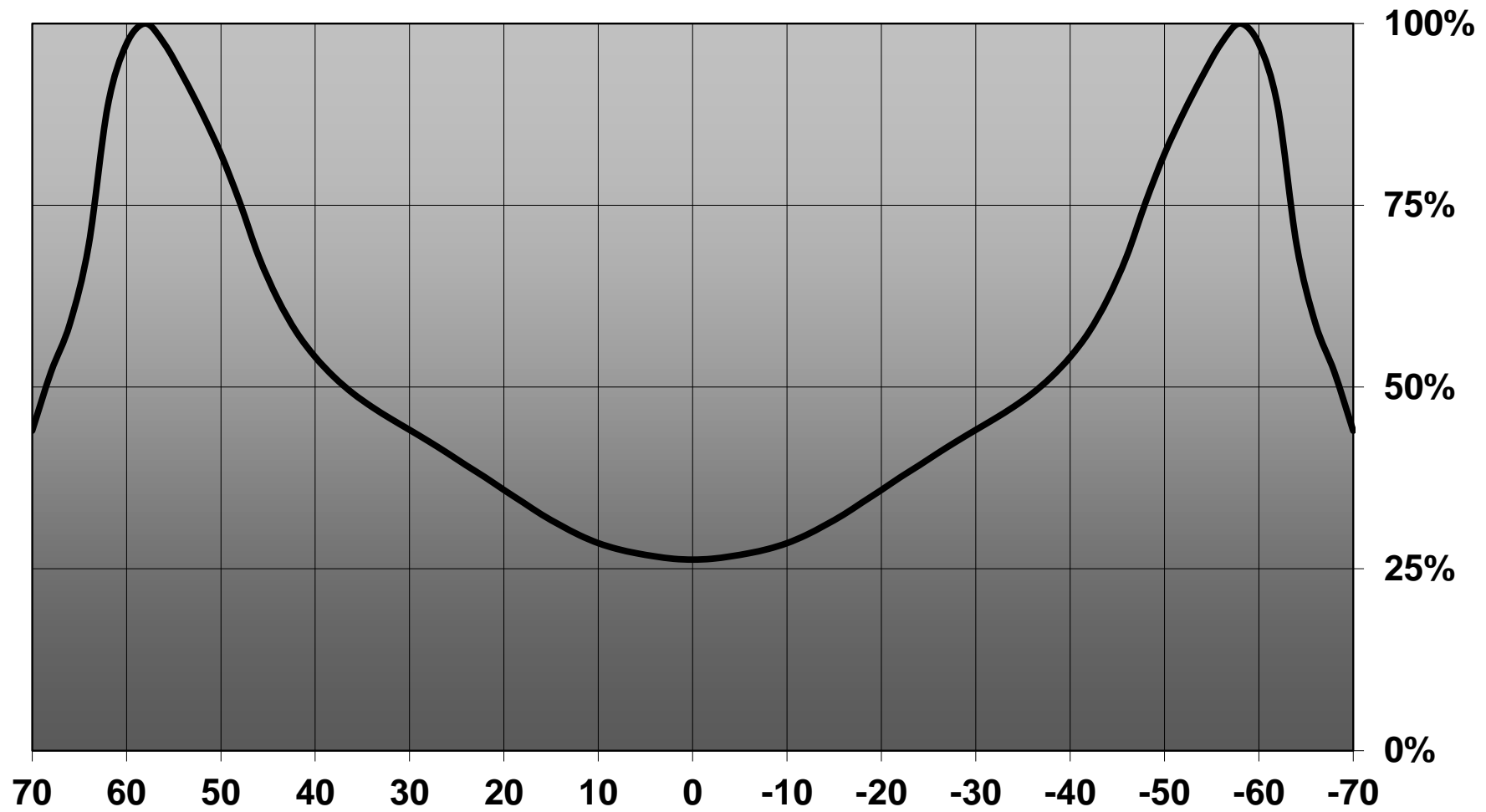
[http://ledil.fi/sites/default/files/Documents/Technical/Material/PMMA%20N%20UL94\\_Yellow%20Card.pdf](http://ledil.fi/sites/default/files/Documents/Technical/Material/PMMA%20N%20UL94_Yellow%20Card.pdf)

<http://ledil.fi/sites/default/files/Documents/Technical/Material/PMMA%20N%20PLEXIGLAS-Datasheet.pdf>

**Relative intensity of Siri-A\_(XT-E)**



Relative intensity of Siri-A\_(XT-E)

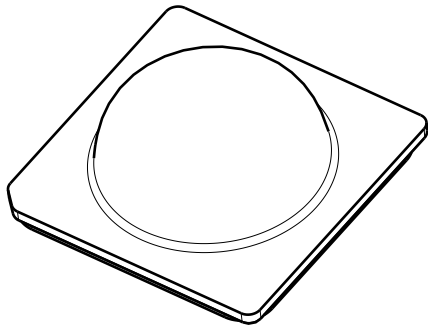


D

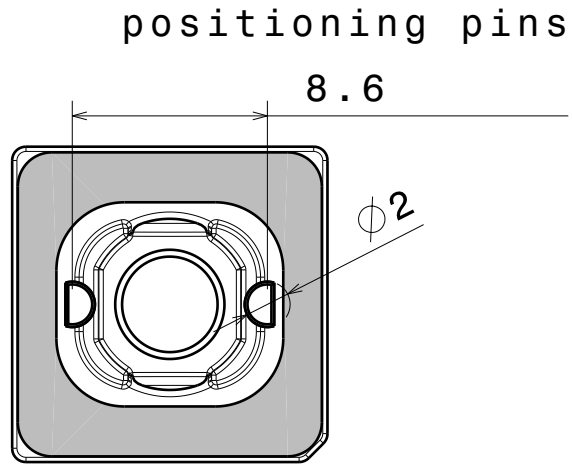
C

B

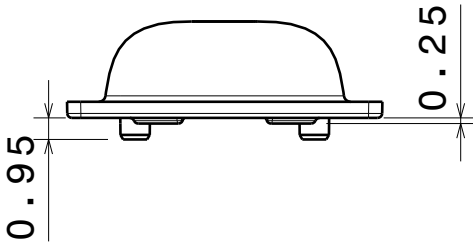
A



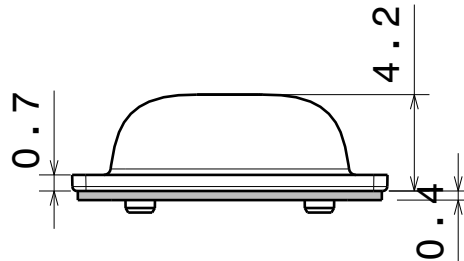
Isometric view



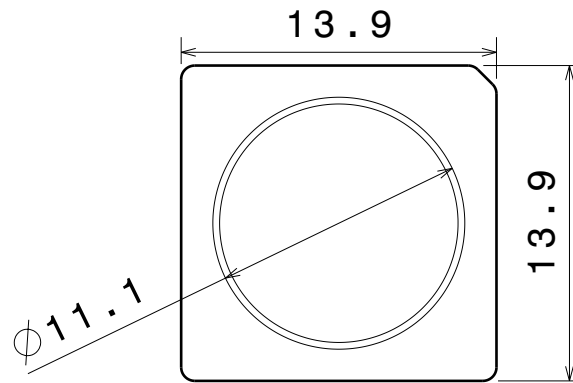
Bottom view



Front view of C12473\_Siri-A without adhesive tape



Front view



Top view

MATERIALS  
 Lens: PMMA  
 Tape: PU FOAM

This drawing is our property.  
 It can't be reproduced  
 or communicated without  
 our written agreement.



L  
S  
F  
F

e  
i  
i  
n

d  
l

DRAWING TITLE

Datasheet Siri-A-tape

DRAWN BY o	DATE 12.12.2011
---------------	--------------------

CHECKED BY s n	DATE 12.12.2011
-------------------	--------------------

DESIGNED BY ol	DATE 12.12.2011
-------------------	--------------------

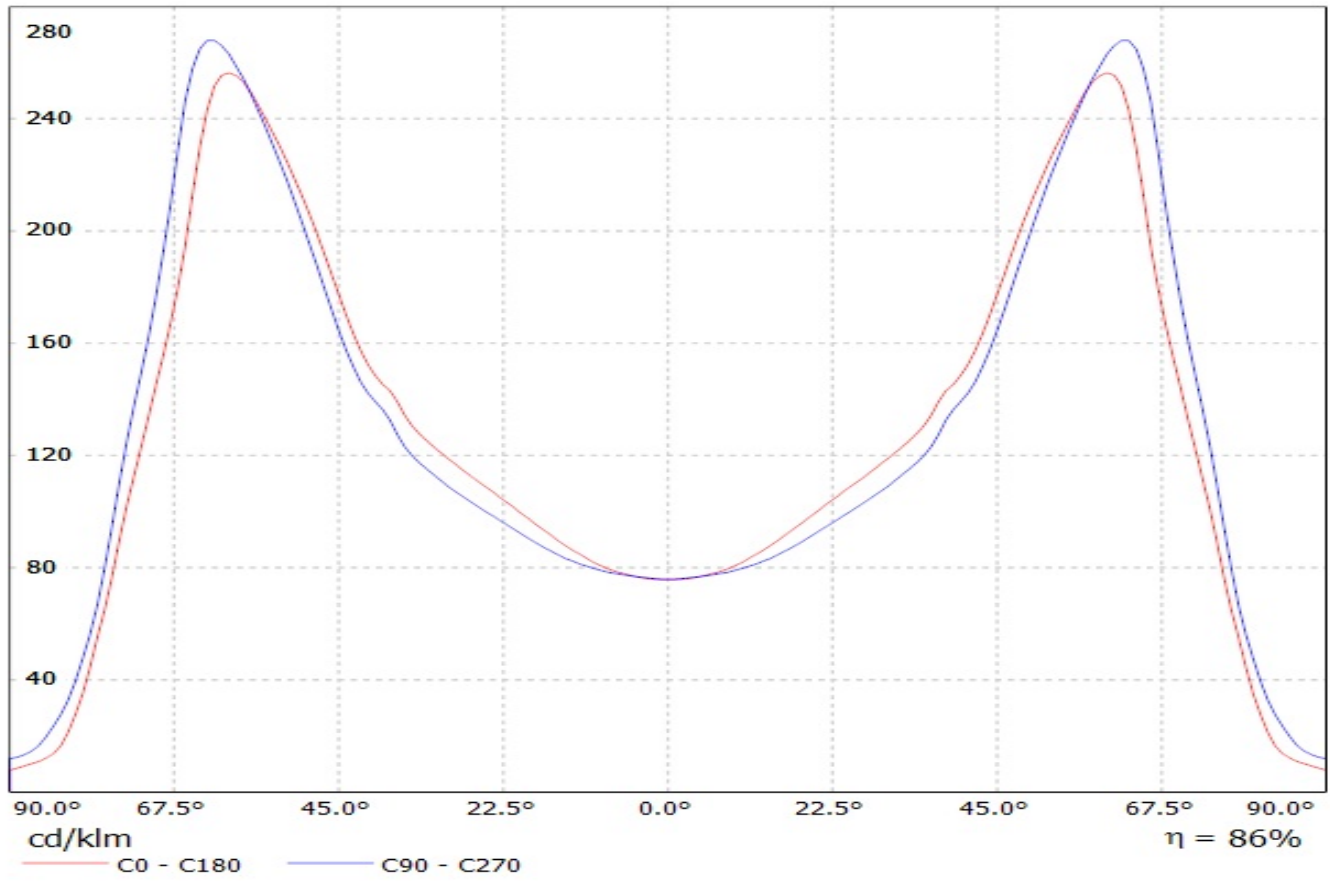
SIZE A4	DRAWING NUMBER CA12474	REV 1
SCALE 3:1	WEIGHT (g)	SHEET 1/1

1

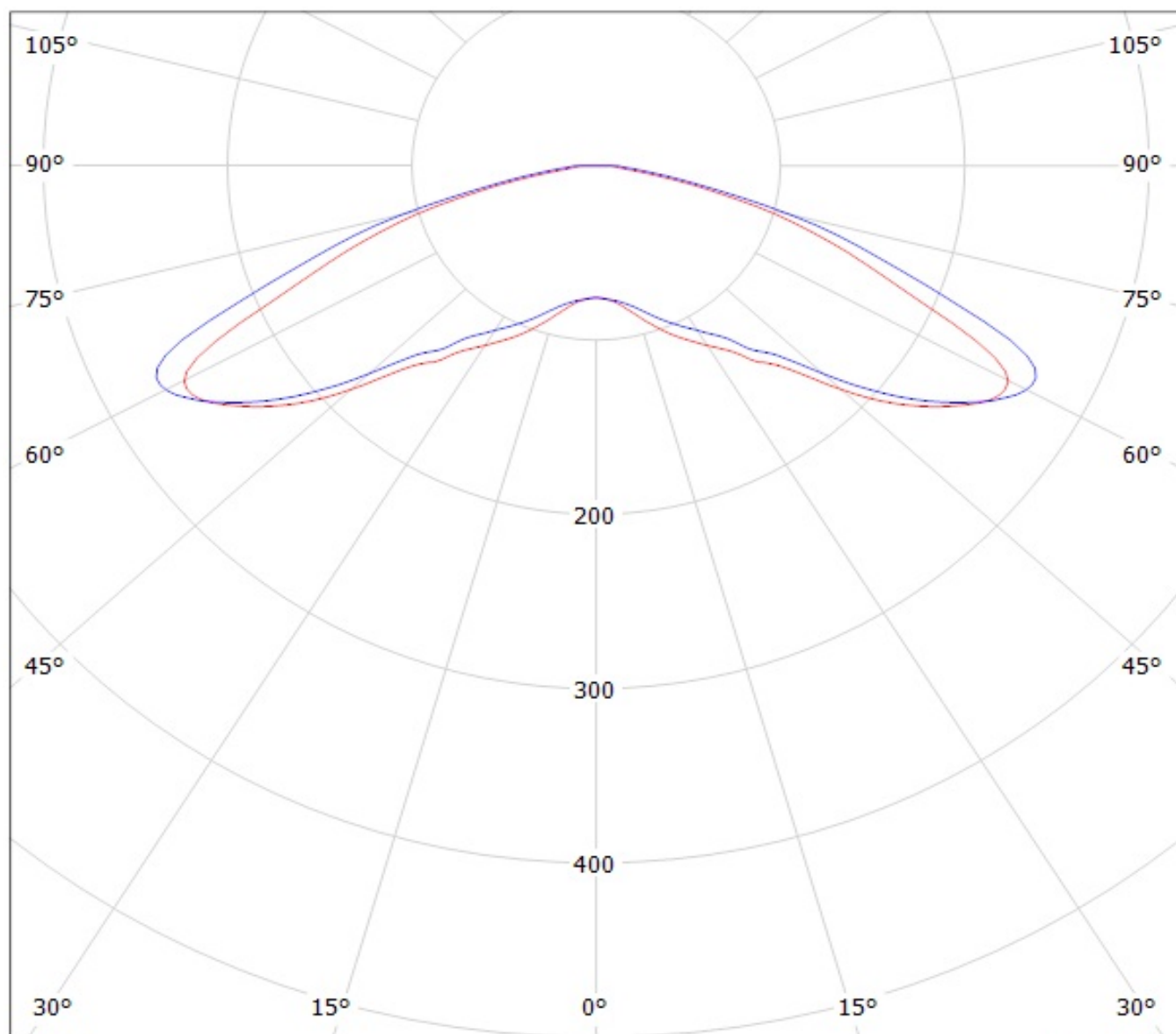
D

A

Luminaire: LEDIL OY C12473\_SIRI-A / CA12474\_SIRI-A (XT-E AWT) Efficiency=95%  
Lamps: 1 x Cree XT-E AWT (113lm@250mA)



Luminaire: LEDIL OY C12473\_SIRI-A / CA12474\_SIRI-A (XT-E AWT) Efficiency=95%  
Lamps: 1 x Cree XT-E AWT (113lm@250mA)



cd/klm

— C0 - C180    — C90 - C270

$\eta = 86\%$