

CES-SRG-BK-7 - Cable sleeve



0801627

<https://www.phoenixcontact.com/pc/products/0801627>

Please be informed that the data shown in this PDF document is generated from our online catalog. Please find the complete data in the user documentation. Our general terms of use for downloads are valid.



Cable sleeve, small, no. of conductors: 1, type: Round cable, slotted, external cable diameter: 1x 6 mm ... 7 mm, material: NBR, color: black, length: 29.5 mm, width: 19.5 mm, height: 17 mm

Product description

Slotted cable sleeve

Commercial data

Item number	0801627
Packing unit	10 pc
Minimum order quantity	10 pc
Product key	AF7CCX
GTIN	4046356674669
Weight per piece (including packing)	8.52 g
Weight per piece (excluding packing)	8.52 g
Customs tariff number	40169997
Country of origin	TW

CES-SRG-BK-7 - Cable sleeve

0801627

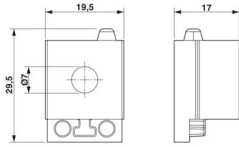
<https://www.phoenixcontact.com/pc/products/0801627>

Technical data

Product properties

No. of conductors	1
-------------------	---

Dimensions

Dimensional drawing	
Width	19.5 mm
Height	17 mm
Length	29.5 mm

Material specifications

Material	NBR
----------	-----

Cable/line

External cable diameter	1x 6 mm ... 7 mm
-------------------------	------------------

Characteristics

Seal size	small
Design, Format	Round cable
Design, Cable seal	slotted

Environmental and real-life conditions

Ambient conditions

Degree of protection	IP54
Ambient temperature (operation)	-40 °C ... 125 °C (static)

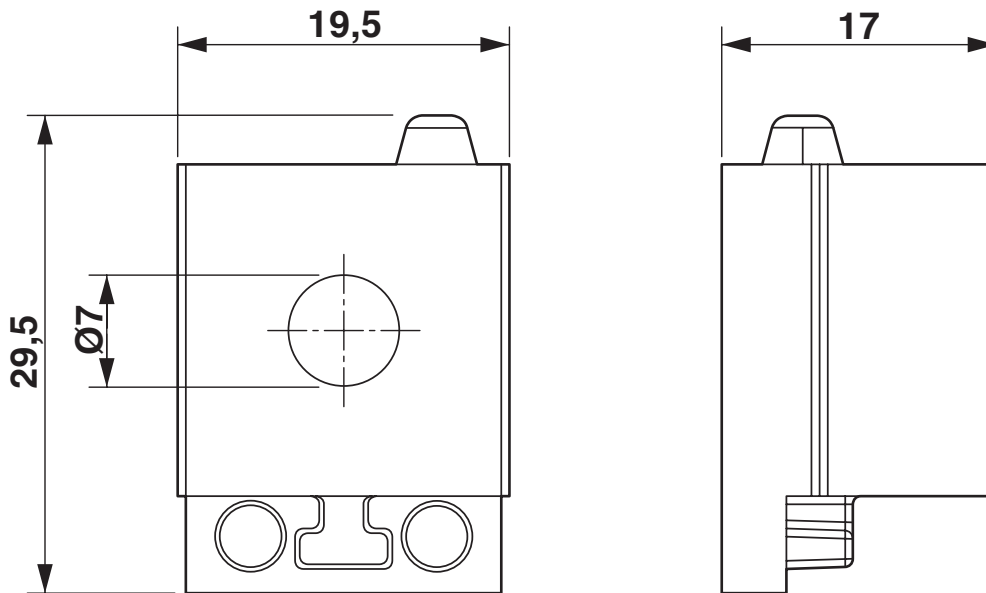
CES-SRG-BK-7 - Cable sleeve

0801627

<https://www.phoenixcontact.com/pc/products/0801627>

Drawings

Dimensional drawing



Dimensional drawing

CES-SRG-BK-7 - Cable sleeve



0801627

<https://www.phoenixcontact.com/pc/products/0801627>

Approvals

🔗 To download certificates, visit the product detail page: <https://www.phoenixcontact.com/pc/products/0801627>

DNV

Approval ID: TAE00003VJ

CES-SRG-BK-7 - Cable sleeve



0801627

<https://www.phoenixcontact.com/pc/products/0801627>

Classifications

ECLASS

ECLASS-13.0	27144425
ECLASS-15.0	27144425

ETIM

ETIM 10.0	EC000451
-----------	----------

UNSPSC

UNSPSC 21.0	39121400
-------------	----------

CES-SRG-BK-7 - Cable sleeve



0801627

<https://www.phoenixcontact.com/pc/products/0801627>

Environmental product compliance

EU RoHS

Fulfills EU RoHS substance requirements	Yes, No exemptions
---	--------------------

China RoHS

Environment friendly use period (EFUP)	EFUP-E
	No hazardous substances above the limits

EU REACH SVHC

REACH candidate substance (CAS No.)	No substance above 0.1 wt%
-------------------------------------	----------------------------

CES-SRG-BK-7 - Cable sleeve

0801627

<https://www.phoenixcontact.com/pc/products/0801627>



Accessories

KDT-ST 7 - Filler plug

3063963

<https://www.phoenixcontact.com/pc/products/3063963>



Filler plug, material: PA, length: 25 mm, diameter: 7 mm

CES-B10-HFFS-PLBK - Sealing frame

0801663

<https://www.phoenixcontact.com/pc/products/0801663>



Sealing frame, With locking latch, design: B10, Number of cable seals (small): 6, material: PA (halogen-free), color: black, length: 99.2 mm, width: 58 mm, height: 20 mm

CES-SRG-BK-7 - Cable sleeve

0801627

<https://www.phoenixcontact.com/pc/products/0801627>

CES-B16-HFFS-PLBK - Sealing frame

0801662

<https://www.phoenixcontact.com/pc/products/0801662>



Sealing frame, With locking latch, design: B16, Number of cable seals (small): 8, material: PA (halogen-free), color: black, length: 120 mm, width: 58 mm, height: 20 mm

CES-B24-HFFS-PLBK - Sealing frame

0801661

<https://www.phoenixcontact.com/pc/products/0801661>



Sealing frame, With locking latch, design: B24, Number of cable seals (small): 10, material: PA (halogen-free), color: black, length: 147 mm, width: 58 mm, height: 20 mm

CES-SRG-BK-7 - Cable sleeve

0801627

<https://www.phoenixcontact.com/pc/products/0801627>



CES-B10-SFFS-PLBK - Sealing frame

0801660

<https://www.phoenixcontact.com/pc/products/0801660>



Sealing frame, with screw locking, design: B10, Number of cable seals (small): 6, material: PA (halogen-free), color: black, length: 99.2 mm, width: 58 mm, height: 20 mm

CES-B16-SFFS-PLBK - Sealing frame

0801659

<https://www.phoenixcontact.com/pc/products/0801659>



Sealing frame, with screw locking, design: B16, Number of cable seals (small): 8, material: PA (halogen-free), color: black, length: 120 mm, width: 58 mm, height: 20 mm

CES-SRG-BK-7 - Cable sleeve

0801627

<https://www.phoenixcontact.com/pc/products/0801627>



CES-B24-SFFS-PLBK - Sealing frame

0801658

<https://www.phoenixcontact.com/pc/products/0801658>



Sealing frame, with screw locking, design: B24, Number of cable seals (small): 10, material: PA (halogen-free), color: black, length: 147 mm, width: 58 mm, height: 20 mm

Phoenix Contact 2026 © - all rights reserved

<https://www.phoenixcontact.com>

PHOENIX CONTACT GmbH & Co. KG

Flachsmarktstraße 8

D-32825 Blomberg

+49 (0) 5235-3 00

info@phoenixcontact.com