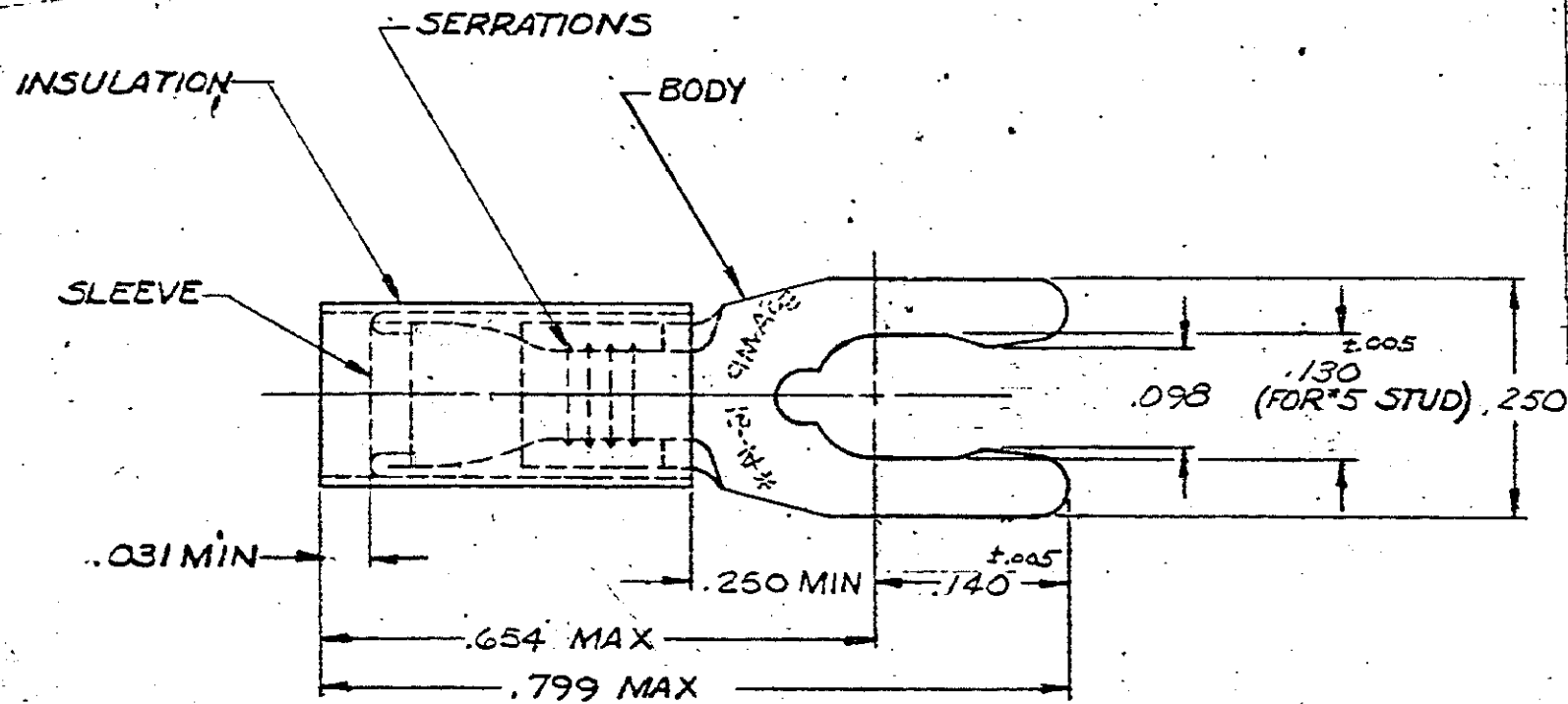


DRAWING MADE IN AMERICAN PROJECTION

© 1971 BY AMP INCORPORATED. ALL RIGHTS RESERVED. AMP PRODUCTS COVERED BY PATENTS AND/OR PATENTS PENDING.

UNPUBLISHED OR PUBLISHED REPRODUCED WITHOUT WRITTEN PERMISSION OF AMP INCORPORATED.

REVISIONS				
ZONE	LTR	DESCRIPTION	DATE	APPROVED
	O	NPS 71-0666	9-16-71	FCY
	A	ADDED TAFE NO.	2-24-72	Yme
	B	REVISED PER ECN R-5578	9-29-72	Yme
	C	REVISED P-6954	12-15-72	Yme
	D	REVISED P-7219	1-9-74	Yme
	E	ADDED -2 & -3 PER NPS 75-0279	3-20-75	Yme
	F	INACTIVATED -2 PER ECN P-7384	5-4-82	Yme
	G	OBsolete -2 G-2340	6/22/87	Yme
	H	OBs. -3 REV. G2591	10/20/87	Yme
	J	REVISED G-3044	4-12-88	Yme
	K	REV PER G-5282	4-27-90	Yme
	L	REV./0720-0049-93	3-18-93	Yme



FOR ".A" TO ".B" WIRE INS. DIA
TONGUE MATERIAL THK = .031 ± .002

QTY	DESCRIPTION	PART NO.	MATERIAL & FINISH
100	LOOSE PC. BOX	8-52934-1	
1	52934-2 ON TAPE	52934-3	INSULATION: NYLON COLOR: BLUE
1	WIRE TERMINAL	52934-2	SLEEVE: COPPER (GG-C-576)
1	52934 ON TAPE	52934-1	BODY: PHOSPHOR BRONZE (GG-B-750)
1	WIRE TERMINAL	52934	TIN PL. (MIL-T-10727)
			MATERIAL & FINISH

UNLESS OTHERWISE SPECIFIED DIMENSIONS ARE IN INCHES. TOLERANCES ON: DECIMALS ± .008 ANGLES ± 5°		CONTRACT NO. 8-52934-1		AMP INCORPORATED HARRISBURG, PENNSYLVANIA
MATERIAL SEE TABLE		DR. <i>Emmerich</i> 9-13-71	CHK. <i>Yme</i> 9-16-71	
		APPRO. <i>Yme</i> 9-20-71	REL. <i>Yme</i> 9-21-71	NAME WIRE TERMINAL
		OSGN APPD <i>Yme</i>	OTHER APPD	P.I.D.G.-SPRING SPADE (SHORT)
		SIZE B	CODE IDENT NO. 00779	WIRE SIZE: 16-14
		SCALE NTS	SHEET 52934	